

WOOFER GDN 25/60/4

9 5151 072

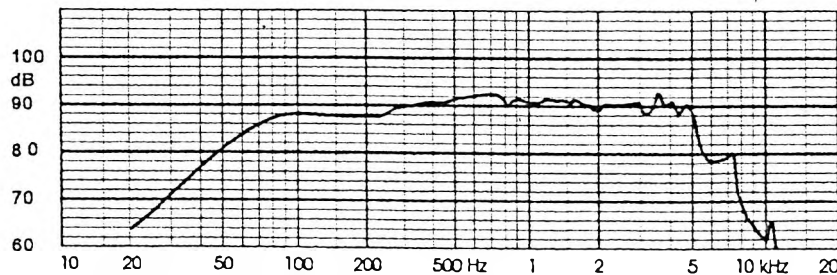
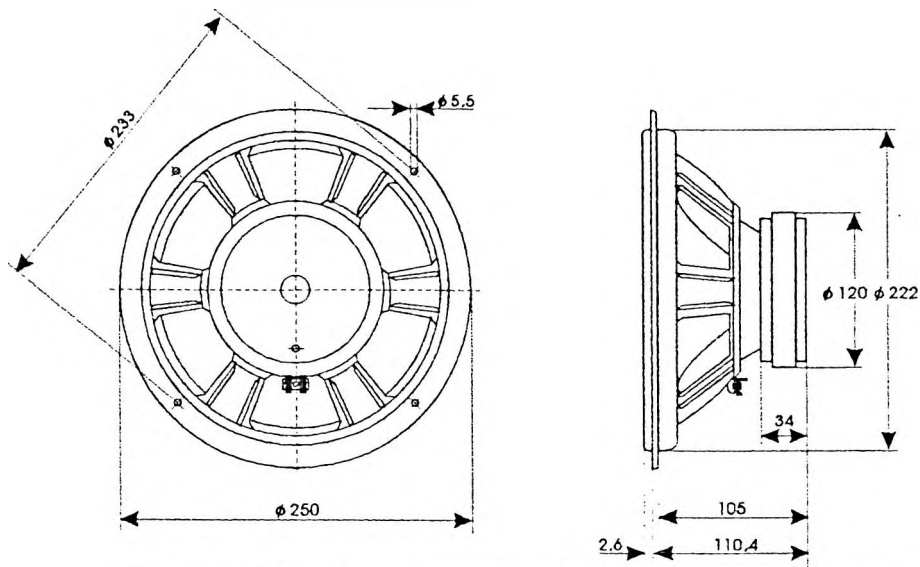
TECHNICAL DATA

Rated impedance	8	Ω
Voice coil resistance	6,4	Ω
Rated frequency range	60 to 4000	Hz
Resonance frequency	37	Hz
Power handling capacity / enclosure 35 dm ³ , 100 h continuous /	60	W
Max. power	120	W
Sensitivity	90	dB
Flux density	0,81	T
Energy in air gap	486,7	mJ
Force factor - Bl	9,4	Tm
Piston area - S _D	0,033	m ²
Total moving mass - M _{MS}	0,026	kg
Compliance /loudspeaker unmounted/ - C _{MS}	70,1x10 ⁻⁵	m/N
Equivalent box volume - V _{AS}	0,106	m ³
Quality factor /loudspeaker unmounted/		
- mechanical - Q _{MS}	1,74	
- electrical - Q _{ES}	0,43	
- total - Q _{TS}	0,35	
Air - gap	48/8/1,5	mm
Voice coil height	13,1	mm
Magnet		
- material	ferrite	
- dimensions	120/60/18	mm
- mass	0,76	kg
Mass of loudspeaker	2,6	kg

Connection is by 5,4 mm x 0,8 mm tag connectors or by soldering.
Diaphragm covered with damping - sealing material.

AVAILABLE VERSIONS

- GDN 25/60/4 - 8 Ω , catalogue number 9 5151 072 01



FREQUENCY RESPONSE CURVE
Measured in anechoic room at 1W/1m. Loudspeaker mounted
in sealed 35 dm³ enclosure.