

WOOFER GDN 30/100/1

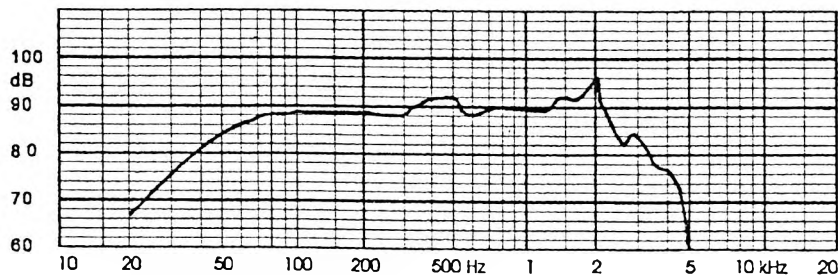
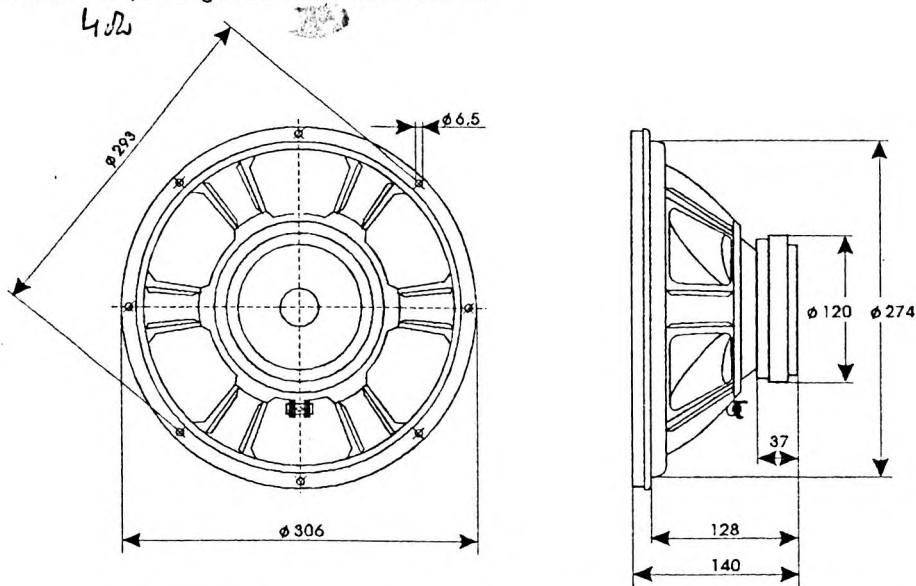
9 5151 058

TECHNICAL DATA

Rated impedance	8	Ω
Voice coil resistance	6,8	Ω
Rated frequency range	40 to 2000	Hz
Resonance frequency	24	Hz
Power handling capacity / enclosure 70 dm ³ , 100 h continuous /	100	W
Max. power	200	W
Sensitivity	90	dB
Flux density	0,78	T
Energy in air gap	537	mJ
Force factor - Bl	11,95	Tm
Piston area - S _D	0,049	m ²
Total moving mass - M _{MS}	0,051	kg
Compliance /loudspeaker unmounted/ - C _{MS}	88x10 ⁻⁵	m/N
Equivalent box volume - V _{AS}	0,282	m ³
Quality factor /loudspeaker unmounted/		
- mechanical - Q _{MS}	2,75	
- electrical - Q _{ES}	0,43	
- total - Q _{TS}	0,37	
Air - gap	48/8/1,775	mm
Voice coil height	20	mm
Magnet		
- material	ferrite	
- dimensions	120/60/18	mm
- mass	0,76	kg
Mass of loudspeaker	3	kg

AVAILABLE VERSIONS

- GDN 30/100/1 - 8Ω, catalogue number 9 5151 058 05



FREQUENCY RESPONSE CURVE
Measured in anechoic room at 1W/1m. Loudspeaker mounted
in sealed 70 dm³ enclosure.