

DOME TWEETER LOUDSPEAKER GDW 4/10

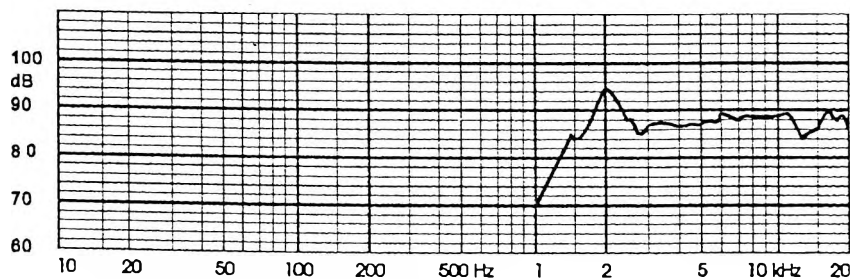
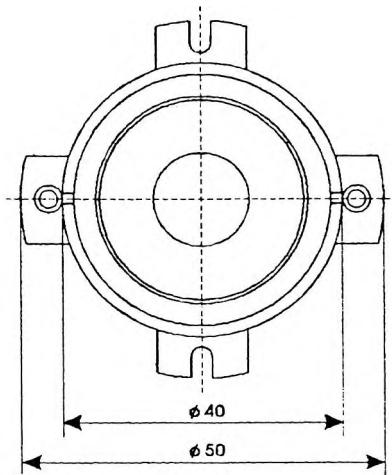
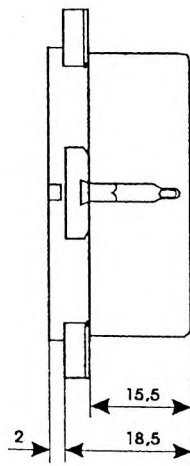
9 5161 001

TECHNICAL DATA

Rated impedance	4	8	Ω
Voice coil resistance	3,6	6,7	Ω
Rated frequency range	4 to 20		kHz
Resonance frequency	-		kHz
Recommended crossover frequency	5	7,5	kHz
Power handling capacity, P1/P2, measured with filter,		10/0,2 25/0,5	W
Max. power			W
Sensitivity	90	92	dB
Flux density		0,8	T
Energy in air gap		16	mJ
Air - gap		13/2,5/0,6	mm
Voice coil height	2	1,8	mm
Magnet			
- material		ferrite	
- dimensions		36/16/7	mm
- mass		0,03	kg
Mass of loudspeaker		0,1	kg

AVAILABLE VERSIONS

- GDW 4/10 - 4Ω, catalogue number 9 5161 001 05
- GDW 4/10 - 8Ω, catalogue number 9 5161 001 01



FREQUENCY RESPONSE CURVE
Measured in anechoic room at 0,1W, 0,5 m free field.