



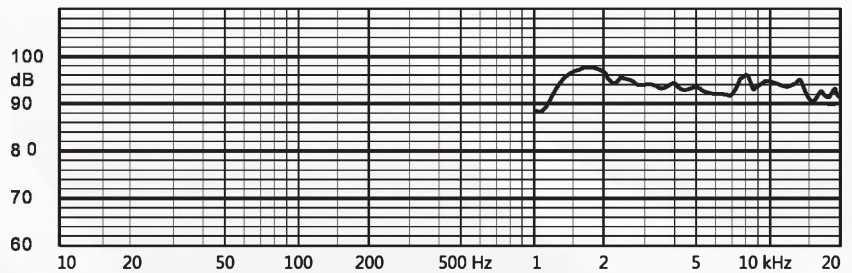
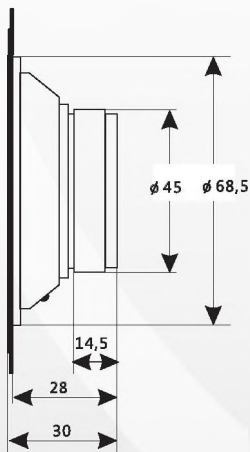
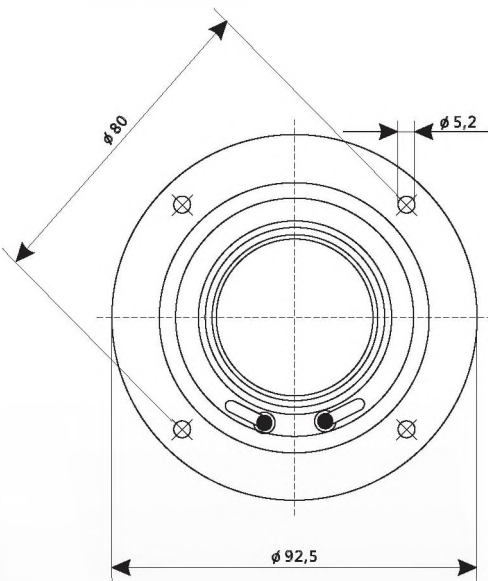
CONE TWEETER LOUDSPEAKER GDW 9/60/2; /4

TECHNICAL DATA

Rated impedance	8	Ω
Voice coil resistance	6,7	Ω
Rated frequency range	3 to 20	kHz
Resonance frequency	-	kHz
Recommended crossover frequency	3	kHz
Power handling capacity, P1/P2		
measured with filter	60/2,5	W
Max. power	120/5	W
Sensitivity	94	dB
Flux density	1,0	T
Energy in air gap	29,8	mJ
Air - gap	13/2,5/0,6	mm
Voice coil height	1,8	mm
Magnet		
- material	ferrite	
- dimensions	45/22/8	mm
- mass	0,048	kg
Mass of loudspeaker	0.18	kg

AVAILABLE VERSIONS

- GDW 9/60/2 - 8 Ω , catalogue number 9 5155 076 08
- GDW 9/60/4 - 8 Ω , catalogue number 9 5155 076 11



FREQUENCY RESPONSE CURVE

Measured in anechoic room at 1W/ 1 m. Loudspeaker mounted on IEC baffle.