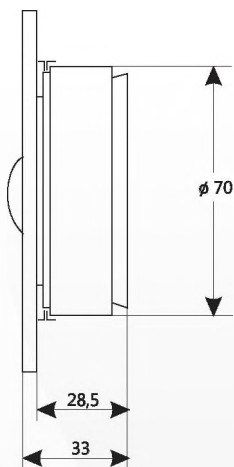
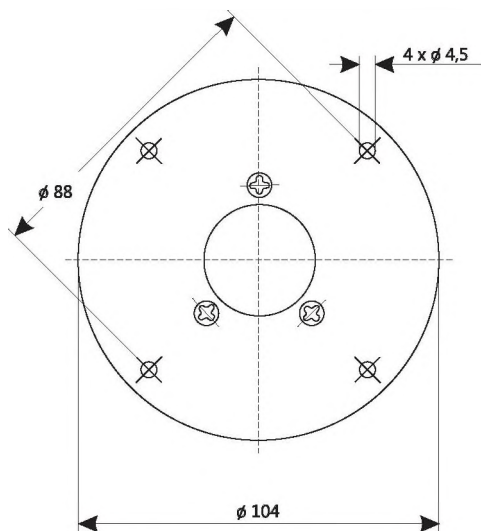


## DOME TWEETER LOUDSPEAKER GDWK 10/80/19



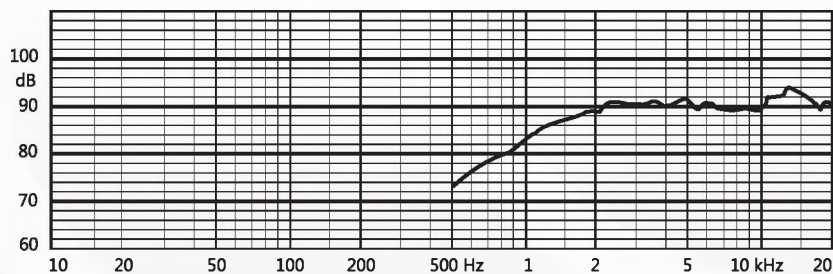
### TECHNICAL DATA

Rated impedance	8	$\Omega$
Voice coil resistance	6,3	$\Omega$
Rated frequency range	4 to 20	kHz
Resonance frequency	-	kHz
Recommended crossover frequency	4,8	kHz
Power handling capacity, P1/P2 measured with filter	80/5	W
Max. power	160/10	W
Sensitivity	90	dB
Flux density	1,16	T
Energy in air gap	104,6	mJ
Air - gap	25/3/0,745	mm
Voice coil height	1,9	mm
Magnet		
- material	ferrite	
- dimensions	70/32/15	mm
- mass	0,23	kg
Mass of loudspeaker	0,6	kg

Membrane material - cotton cloth.  
Magnetic fluid - APG833

### AVAILABLE VERSIONS

- GDWK 10/80/19 - 8  $\Omega$  , catalogue number 9 5155 099 08



### FREQUENCY RESPONSE CURVE

Measured in anechoic room at 1W/1m. Loudspeaker mounted on IEC baffle.