

# DOME TWEETER LOUDSPEAKER GDWK 8,5/50

9 5155 101

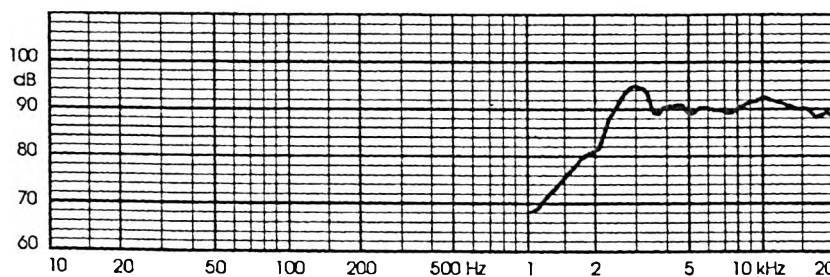
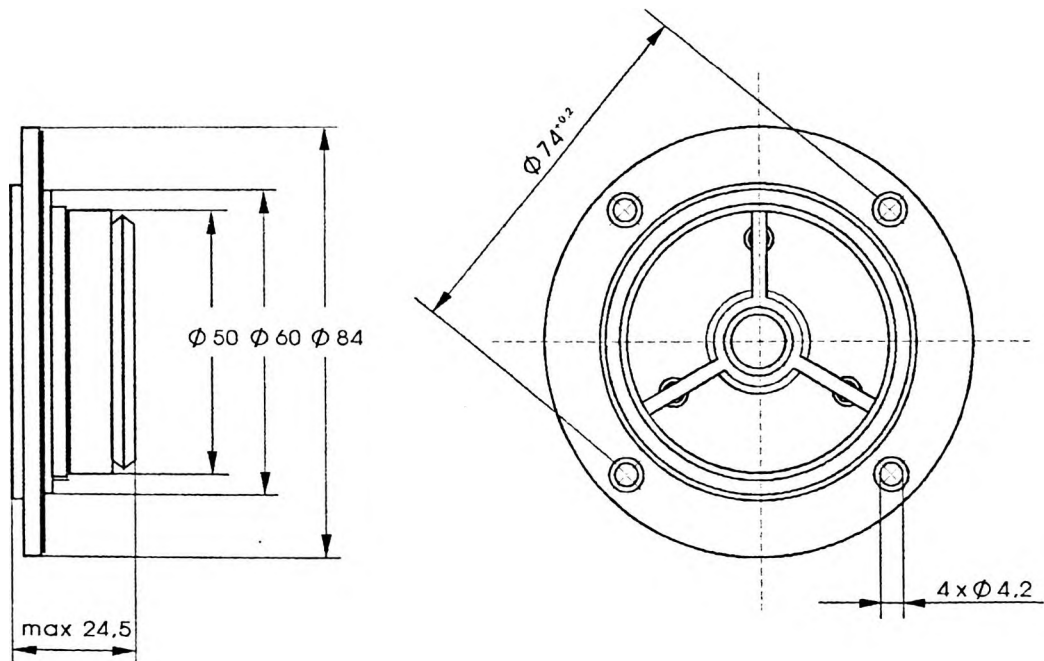
## TECHNICAL DATA

Rated impedance	8 $\Omega$
Voice coil resistance	6,3 $\Omega$
Rated frequency range	4,0 to 20 kHz
Resonance frequency	2,4 kHz
Recommended crossover frequency	7,0 kHz
Power handling capacity, P1/P2, measured with filter,	50/1,5 W
Max power	100/3 W
Sensitivity	89 dB
Flux density	1 T
Energy in air gap	32 mJ
Air-gap	18/2/0,7 mm
Voice coil height	1,3 mm
Magnet	
- material	ferrite
- dimensions	50/22/8 mm
- mass	0,063 kg
Mass of loudspeaker	0,25 kg

Membrane material - polyamide.

## AVAILABLE VERSIONS

- GDWK 8,5/50 - 8 $\Omega$ , catalogue number 9 5155 101 01



FREQUENCY RESPONSE CURVE  
Measured in anechoic room at 1W, 1m, Loudspeaker mounted  
on IEC baffle..