

DOME TWEETER LOUDSPEAKER GDWK 9/80

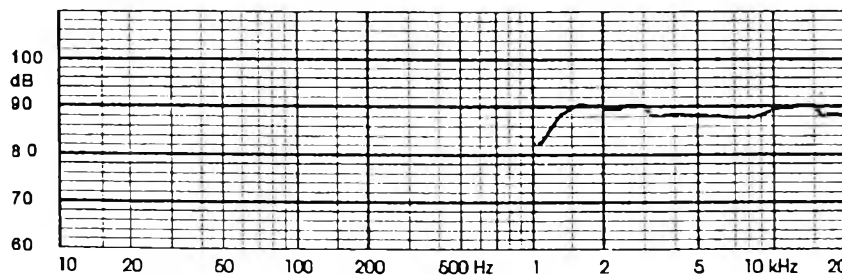
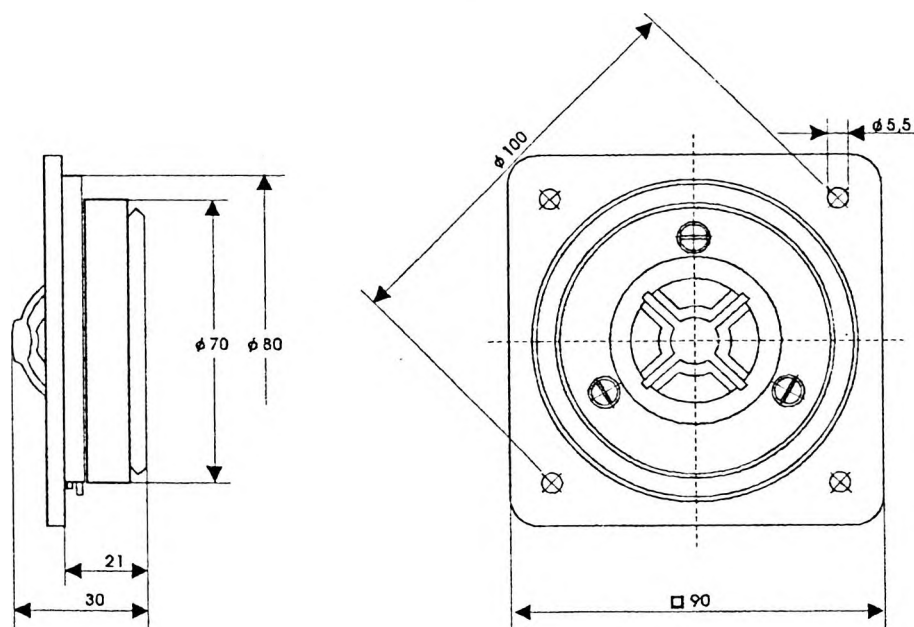
9 5155 012

TECHNICAL DATA

Rated Impedance	4	8	Ω
Voice coil resistance	2,9	6,3	Ω
Rated frequency range	4 to 20		kHz
Resonance frequency	-		kHz
Recommended crossover frequency	4,8		kHz
Power handling capacity, P1/P2, measured with filter,		80/2,5	W
Max. power		160/5	W
Sensitivity	89	88	dB
Flux density		1,16	T
Energy in air gap		104,6	mJ
Air - gap		25/3/0,815	mm
Voice coil height	3	1,9	mm
Magnet			
- material		ferrite	
- dimensions		70/32/10	mm
- mass		0,15	kg
Mass of loudspeaker		0,5	kg

AVAILABLE VERSIONS

- GDWK 9/80 - 4 Ω , catalogue number 9 5155 012 01
- GDWK 9/80 - 8 Ω , catalogue number 9 5155 012 05



FREQUENCY RESPONSE CURVE

Measured in anechoic room at 1W, 1 m. Loudspeaker mounted on IEC baffle.