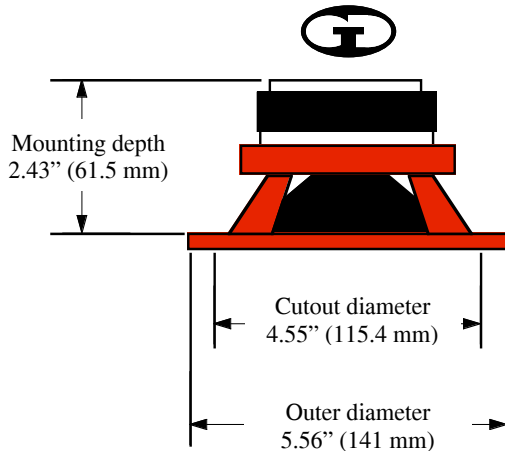


Specifications

Diameter: 5.25" (130mm)
Sensitivity: 91.9 dB
Power Handling: 60 Wrms (90W pk)
Frequency Response: 80 ~ 5000 hz
Nominal Impedance: 4 Ohms
Voice Coil Diameter: 1.0" (26mm)
Dimensions:



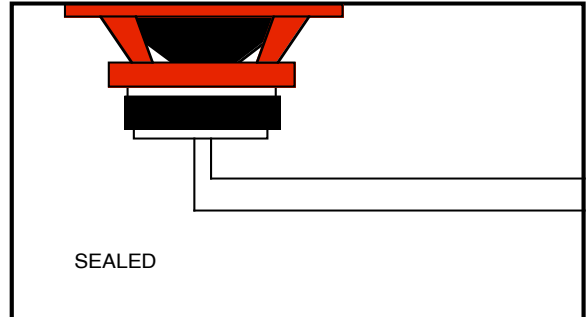
Thiele-Small Paramters

Free Air Resonance: 83.7 Hz
Voice Coil DC Resistance: 3.04 ohms
Voice Coil Inductance @ 1 kHz: 0.45 mH
Mechanical Q (Q_{ms}): 2.75
Electrical Q (Q_{es}): 0.43
Total Q (Q_{ts}): 0.37
Compliance Volume (V_{as}): 4.57 l
0.161 ft³
Moving mass, Diaphragm: 7.24 Gr
Driver Radiating Area (S_d): 80 cm²
12.4 In²
Motor Force Factor: 5.11 Tm

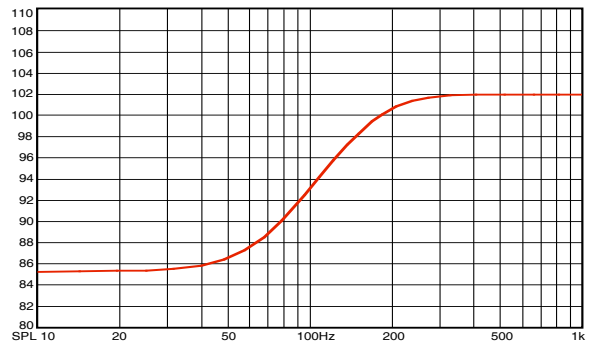
Note:

All sealed boxes greater than 0.05 cubic feet are allowable but with non-optimal bass response. Optimal setup for bass in a medium size cab is shown here.

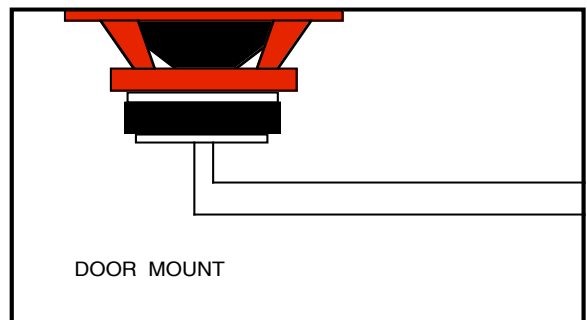
**Box Volume = 0.05 cu. Ft.
(1.42 liters) sealed**



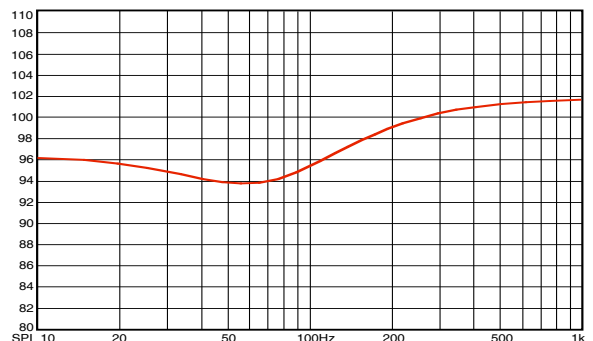
**Sealed Box
Frequency response @ 10 Watts**



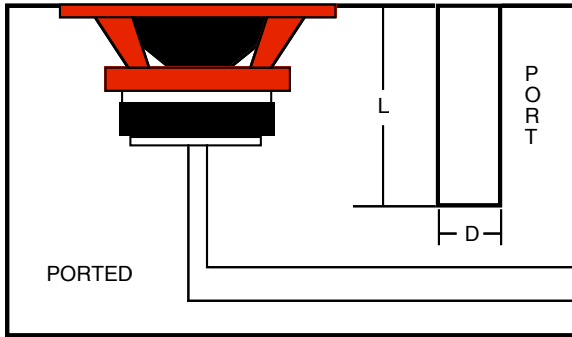
**Door Volume = 1.0cu. Ft.
(28.35 liters)**



**Door Mount
Frequency Response @ 10 Watts**



Box Volume = 0.15 cu. Ft. (4.25 liters)
Tuned to 85hZ Port = 2"d x 6.4"l



Ported Box
Frequency Response @ 10 Watts

