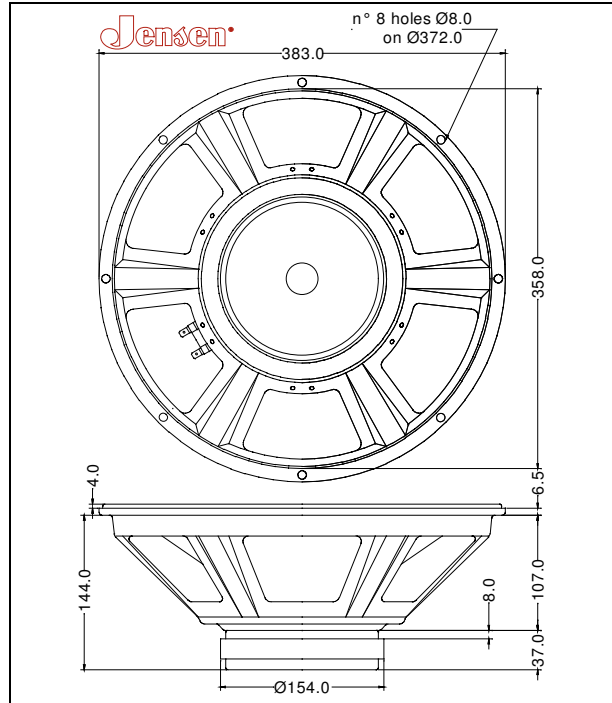


GENERAL CHARACTERISTICS		
Nominal Overall Diameter	385 mm	15 in
Nominal Voice Coil Diameter	65 mm	2.5 in
Magnet Weight	1450 g	50 oz
Overall Weight		11.90 lbs
Flux Density		1.16 T

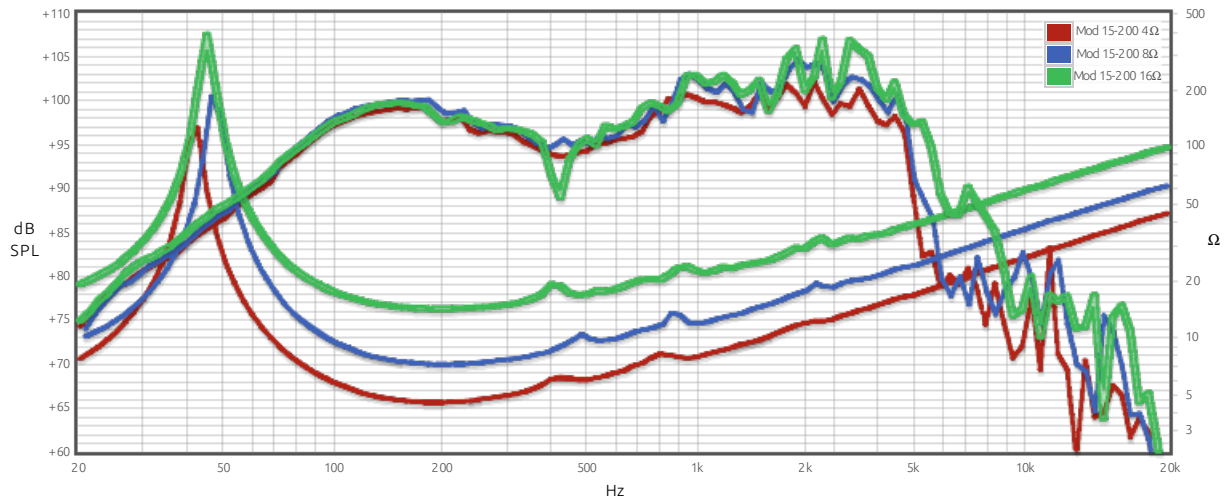
ELECTRICAL CHARACTERISTICS			
	4 Ω	8 Ω	16 Ω
Nominal Impedance	4	8	16 Ω
Rated Power	200	200	200 W
Musical Power	400	400	400 W
Sensitivity@1W,1m	97.7	98.6	98.1 dB

THIELE-SMALL PARAMETERS				
		4 Ω	8 Ω	16 Ω
Voice Coil DC Resistance	R_E	3.60	6.30	12.00 Ω
Resonance Frequency	f_S	41.0	44.3	44.0 Hz
Mechanical Q Factor	Q_{MS}	15.36	22.10	18.17
Electrical Q Factor	Q_{ES}	0.37	0.44	0.55
Total Q Factor	Q_{TS}	0.36	0.43	0.53
Mechanical Moving Mass	M_{MS}	62.7	54.4	49.6 g
Mechanical Compliance	C_{MS}	245	238	260 μm/N
Force Factor	B_{XL}	12.55	14.66	17.66 Wb/m
Equivalent Acoustic Volume	V_{AS}	196.0	190.0	207.9 lt.
Maximum Linear Displacement	X_{MAX}	2.0	2.0	2.0 mm
Reference Efficiency	η_0	3.40	3.58	3.18 %
Diaphragm Area	S_D	755.0	755.0	754.7 cm ²
Losses Electrical Resistance	R_{ES}	152.8	313.6	400.0 Ω
Voice Coil Inductance @ 1kHz	L_E	0.74	1.10	1.13 mH

CONSTRUCTIVE CHARACTERISTICS	
Magnet	Ferrite
Voice Coil Winding	Copper
Voice Coil Former	Kapton
Cone	Paper
Surround	Treated Cloth
Dust Dome	Solid Paper
Basket	Pressed Sheet Steel



Frequency Response on IEC Baffle (DIN 4575) @ 1 W, 1 m - Free Air Impedance



Due to continuing product improvement, the features and the design are subject to change without notice.