

TWEETER

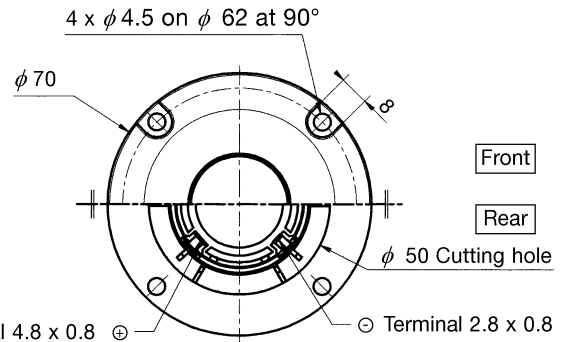
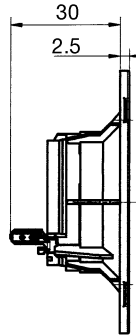
TM025F3 D04TTZ0070
101918T

TM025 . Round . Textile 4 Ω 25 mm



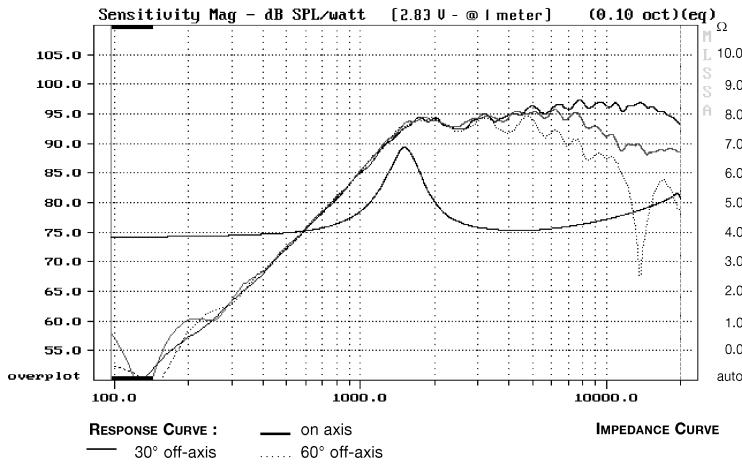
Nov .98

- Compact and light design (round)
- Smooth response face plate profile
- High energy neodymium magnet (20 times ceramic magnet)
- Critically damped catenary soft dome PE laminate
- Compact overmoulded magnet system Inherently shielded
- Ferrofluid cooled voice coil (new generation - 250 cps)
- Ultra light copper clad aluminium wire voice coil with braided wires

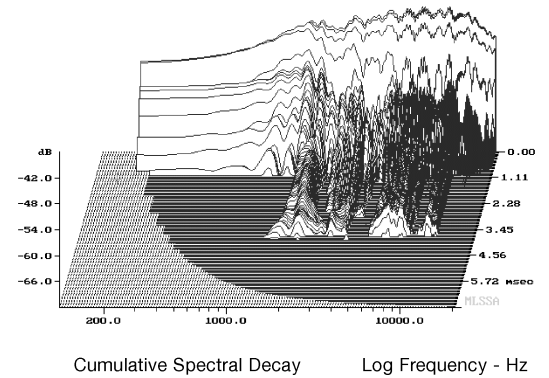


All dimensions in mm

Response Curve



Waterfall



SPECIFICATIONS

Technical characteristics	Symbol	Value	Units
PRIMARY APPLICATION			
Nominal Impedance	Z	4	Ω
Nominal Power Handling	P	60	W
VOICE COIL			
Number of Layers	-	2	-
Wire type	-	round	-
Wire material	-	Aluminium	-
Former material	-	Aluminium	-
Voice coil winding height	-	1,7	mm
Voice coil diameter	φ	25	mm

SPECIFICATIONS

Technical characteristics	Symbol	Value	Units
PARAMETERS			
Sensitivity (2,83 V - 1m)	E	96	dB
Speaker Mass	m	55	g
MAGNET			
Magnet dimensions	φ x h	25x3	mm
Magnetic Induction	B	1	T
Magnetic Stray Flux	Fmag	-	A/m
Gap Height	He	2	mm
Linear excursion Capability	Xmax	±	mm

Suggested Application

Crossover Frequency	Slope	Inductance	Capacitor	Power Handling
Hz	dB / Oct.	mH	μF	W
6180	6	-	5,6	50
3240	12	0,39	6,2	60