

Beta 56A Dynamic Drum Microphone (Supercardioid)

Overview

The supercardioid polar pattern of the Beta 56A ensures maximum sound isolation and offers warm, present sound and "punch". Specifically tailored for close miking of snares and toms, it features an integrated locking stand adapter.

Features

- Uniform supercardioid pattern for high gain-before-feedback and superior rejection of off-axis sound
- Minimally affected by varying load impedance
- Compact design reduces stage clutter
- Neodymium magnet for high signal-to-noise ratio output
- Built-in stand adapter with dynamic locking system and XLR connector simplifies setup and provides greater flexibility
- Advanced pneumatic shock-mount system that minimises transmission of mechanical noise and vibration

Specifications

Type	Dynamic
Frequency Response	50 Hz to 16 kHz
Polar Pattern	Supercardioid
Impedance	290 Ω
Sensitivity (at 1 kHz, open circuit voltage)	-51 dBV/Pa (2.8 mV/Pa)
Polarity	Positive pressure on diaphragm produces positive voltage on pin 2 with respect to pin 3
Weight	468 g
Connector	Three-pin professional audio (XLR), male

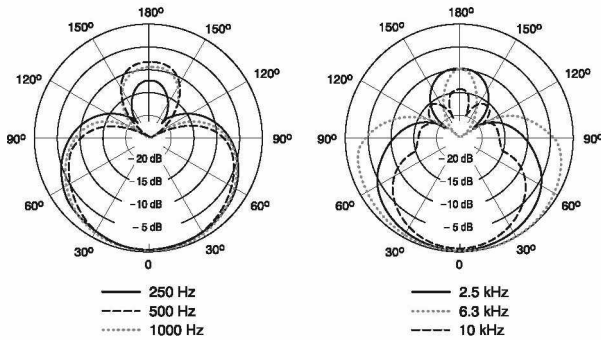


Beta 56A

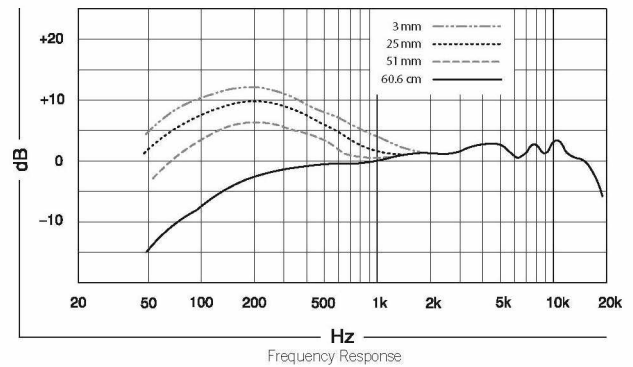
Accessories and Replacement Parts

95A2314	Storage Bag*	95A2050	5/8" to 3/8" Thread Adapter*	A1WS	Windscreen
---------	--------------	---------	------------------------------	------	------------

* included in delivery



Polar Pattern



Frequency Response

SHURE
LEGENDARY
PERFORMANCE™

Beta Microphones | [Beta 56A](#)

www.shure.eu



Europe, Middle East, Africa: Shure Europe GmbH | Wannenackerstr. 28 | 74078 Heilbronn | Germany | www.shure.eu
UK, Ireland: Shure Distribution UK | Unit 2 The I O Centre | Lea Road | Waltham Abbey EN9 1AS | UK | www.shure.co.uk

Whilst every effort has been made to ensure that the information in this document is correct, we accept no liability in respect of errors or omissions. All specifications within this document are subject to change without notice.

© 2010 Shure Incorporated