

Beta 98S and Beta 98D/S Condenser Instrument Microphone (Supercardioid)

Overview

Precision-engineered for high SPL instrument applications, the Beta 98S and Beta 98D/S provide a clear and detailed sound reproduction. The supercardioid polar pattern offers excellent rejection of unwanted sound and high gain-before-feedback. Swivel adapter for Beta 98S included. A98D drum mount with flexible gooseneck for accurate and secure placement for Beta 98D/S included.

Features

- Uniform supercardioid polar pattern for high gain-before-feedback and superior rejection of off-axis sound
- Tailored frequency response for studio quality performance
- Wide dynamic range for use in high SPL environments
- Detachable cable for easy storage
- Interchangeable microphone cartridges with different polar pattern options

Available Models

Beta 98S With swivel adapter (RK282)

Beta 98D/S With drum mount and gooseneck (A98D)



Beta 98S

Specifications

Type	Condenser (electret)
Frequency Response	20 Hz to 20 kHz
Polar Pattern	Supercardioid
Impedance	150 Ω
Sensitivity (at 1 kHz, open circuit voltage)	-59 dBV/Pa (1.1 mV/Pa)
Maximum SPL (1 kHz at 1% THD)	156 dB (1 kΩ load) 160 dB (2.5 kΩ load)
Signal-to-Noise Ratio (referenced at 94 dB SPL at 1 kHz)	59 dB
Dynamic Range (at 1 kHz)	121 dB (1 kΩ load) 125 dB (2.5 kΩ load)
Clipping Level (20 Hz-20 kHz at 1% THD)	2 dBV (1 kΩ load) 6 dBV (2.5 kΩ load)
Self Noise (typical, equivalent SPL, A-weighted)	35 dB(A)
Polarity	Positive pressure on diaphragm produces positive voltage on pin 2 with respect to pin 3
Weight	12 g (only microphone capsule)
Connector	3 Pin XLR (TA3M at microphone)
Power Requirements	48+/- 4 Vdc phantom, 1.2 mA

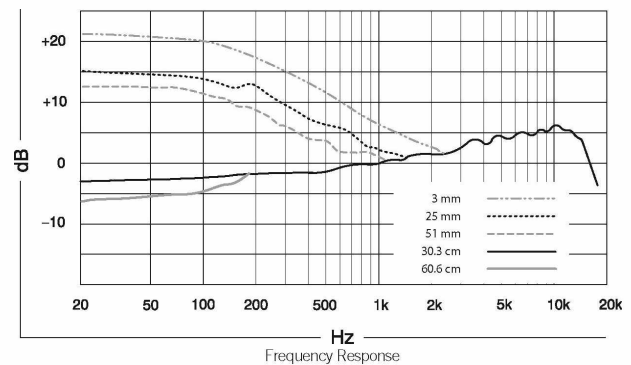
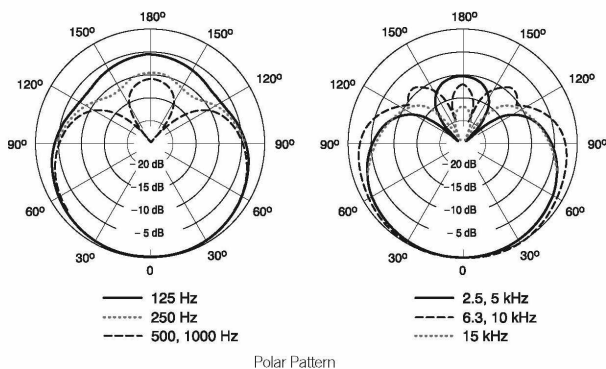


Beta 98D/S

Accessories and Replacement Parts

RPM626 Preampifier*	95A2314 Storage Bag*	95A2064 Windscreen*	RPM110 Supercardioid Capsule*	RPM108 Cardioid Capsule
With Beta 98S included:	95A2398 7.6 m Lightweight Cable TA3F to TA4F	RK282 Shock-Mount Swivel Adapter	95A2050 5/8" to 3/8" Thread Adapter	
With Beta 98D/S included:	C98D 4.6 m Cable, TA3F to TA4F	A98D Gooseneck Mount		

* included in delivery



SHURE[®]
 LEGENDARY
 PERFORMANCE™