

March 1998

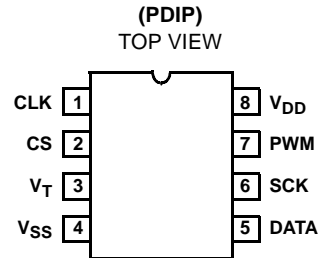
CMOS Serial Digital Pulse Width Modulator

Features

- Programmable Frequency and Duty Cycle Output
- Serial Bus Input; Compatible with Motorola/Intersil SPI Bus, Simple Shift-Register Type Interface
- 8 Lead PDIP Package
- Schmitt Trigger Clock Input
- 4V to 6V Operation, -40°C to 85°C Temperature Range
- 8MHz Clock Input Frequency

Pinout

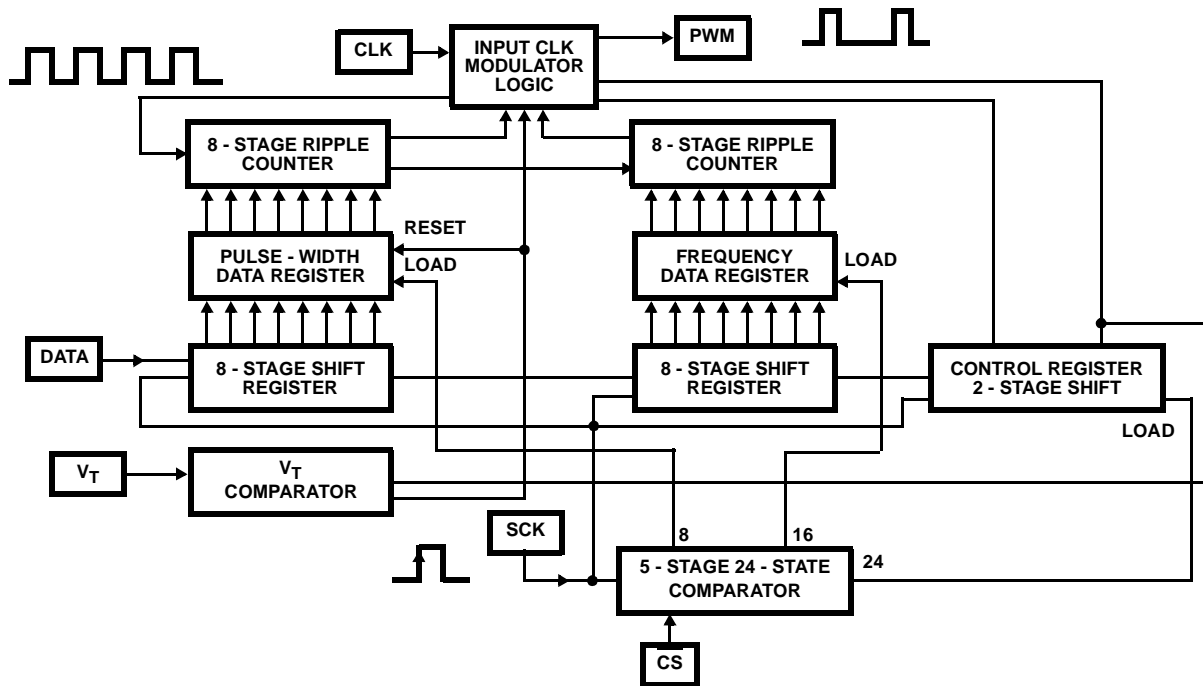
CDP68HC68W1



Description

The CDP68HC68W1 modulates a clock input to supply a variable frequency and duty-cycle output signal. Three 8-bit registers (pulse width, frequency and control) are accessed

Block Diagram



CDP68HC68W1

Absolute Maximum Ratings

DC Supply Voltage Range, (V_{DD}) -0.5V to +7V
 (Voltage Referenced to V_{SS} Terminal)
 Input Voltage Range, All Inputs -0.5V to $V_{DD} + 0.5V$
 DC Input Current, Any One Input $\pm 10mA$

Operating Conditions

Temperature Range (T_A) -40°C to 85°C

T_A = Full Package Temperature Range (All Package Types)

CAUTION: Stresses above those listed in "Absolute Maximum Ratings" may cause permanent damage to the device. This is a stress only rating and operation of the device at these or any other conditions above those indicated in the operational sections of this specification is not implied.

NOTE:

1. θ_{JA} is measured with the component mounted on an evaluation PC board in free air.

Thermal Information

Thermal Resistance (Typical, Note 1) θ_{JA} (°C/W)
 PDIP Package 99
 Device Dissipation Per Output Transistor 100mW
 Maximum Storage Temperature Range (T_{STG}) -65°C to 150°C
 Maximum Lead Temperature (During Soldering) 265°C
 At Distance 1/16 \pm 1/32 in. (1.59 \pm 0.79mm)
 From Case for 10s Max

DC Electrical Specifications

PARAMETER	SYMBOL	MIN	TYP	MAX	UNITS
CDP68HC68W1 , $V_{DD} = 5V \pm 10\%$, $V_{SS} = 0V$, $T_A = -40^\circ C$ to $85^\circ C$					
DC Operating Voltage Range	-	4	-	6	V
Input Voltage Range (Except V_T Pin)	V_{IH}	$0.7 \cdot V_{DD}$	-	$V_{DD} + 0.3V$	V
	V_{IL}	-0.3	-	$0.3 \cdot V_{DD}$	V
V_T Pin Output Voltage Threshold	V_{IT}	0.4	-	$0.15 \cdot V_{DD}$	V
Device Current in "Power Down" Mode, Clock Disabled	I_{PD}	-	-	1	μA
Low Level Output Voltage ($I_{OL} = 1.6mA$)	V_{OL}	-	-	0.4	V
High Level Output Voltage ($I_{OH} = -1.6mA$)	V_{OH}	$V_{DD} - 0.4V$	-	-	V
Input Leakage Current	I_{IN}	-	-	± 1	μA
Operating Device Current ($f_{CLK} = 1MHz$)	I_{OPER}	-	-	1	mA
Clock Input Capacitance ($V_{IN} = 0V$, $f_{CLK} = 1MHz$, $T_A = 25^\circ C$)	C_{IN}	-	-	10	pF

Control Timing

PARAMETER	SYMBOL	MIN	MAX	UNITS
CDP68HC68W1 , $V_{DD} = 5V \pm 10\%$, $V_{SS} = 0V$, $T_A = -40^\circ C$ to $85^\circ C$				
Clock Frequency	F_{CLK}	DC	8.0	MHz
Cycle Time	t_{CYC}	-	-	ns
Clock to PWM Out	t_{PWMO}	-	125	ns
Clock High Time	t_{CLKH}	50	-	ns
Clock Low Time	t_{CLKL}	50	-	ns
Rise Time (20% V_{DD} to 70% V_{DD})	t_R	-	100	ns
Fall Time (70% V_{DD} to 20% V_{DD})	t_F	-	100	ns

CDP68HC68W1

SPI Interface Timing

PARAMETER	SYMBOL	MIN	MAX	UNITS
CDP68HC68W1 , $V_{DD} = 5V \pm 10\%$, $V_{SS} = 0V$, $T_A = -40^\circ C$ to $85^\circ C$				
Serial Clock Frequency	f_{SCK}	DC	2.1	MHz
Cycle Time	t_{SCYC}	480	-	ns
Enable Lead Time	t_{ELD}	240	-	ns
Enable Lag Time	t_{ELG}	-	200	ns
Serial Clock (SCK) High Time	t_{SH}	190	-	ns
Serial Clock (SCK) Low Time	t_{SL}	190	-	ns
Data Setup Time	t_{DSU}	100	-	ns
Data Hold Time	t_{DHD}	100	-	ns
Fall Time (70% V_{DD} to 20% V_{DD} , $C_L = 200pF$)	t_{SCKF}	-	100	ns
Rise Time (20% V_{DD} to 70% V_{DD} , $C_L = 200pF$)	t_{SCKR}	-	100	ns

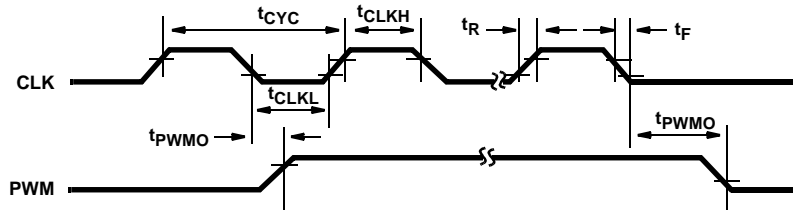


FIGURE 1. PWM TIMING

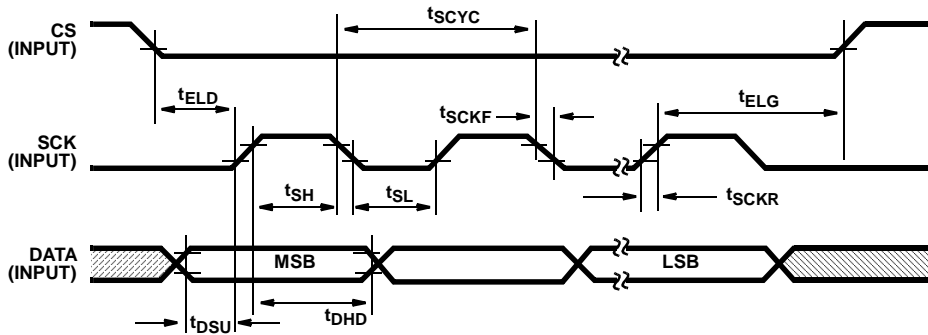


FIGURE 2. SERIAL PERIPHERAL INTERFACE TIMING

CDP68HC68W1

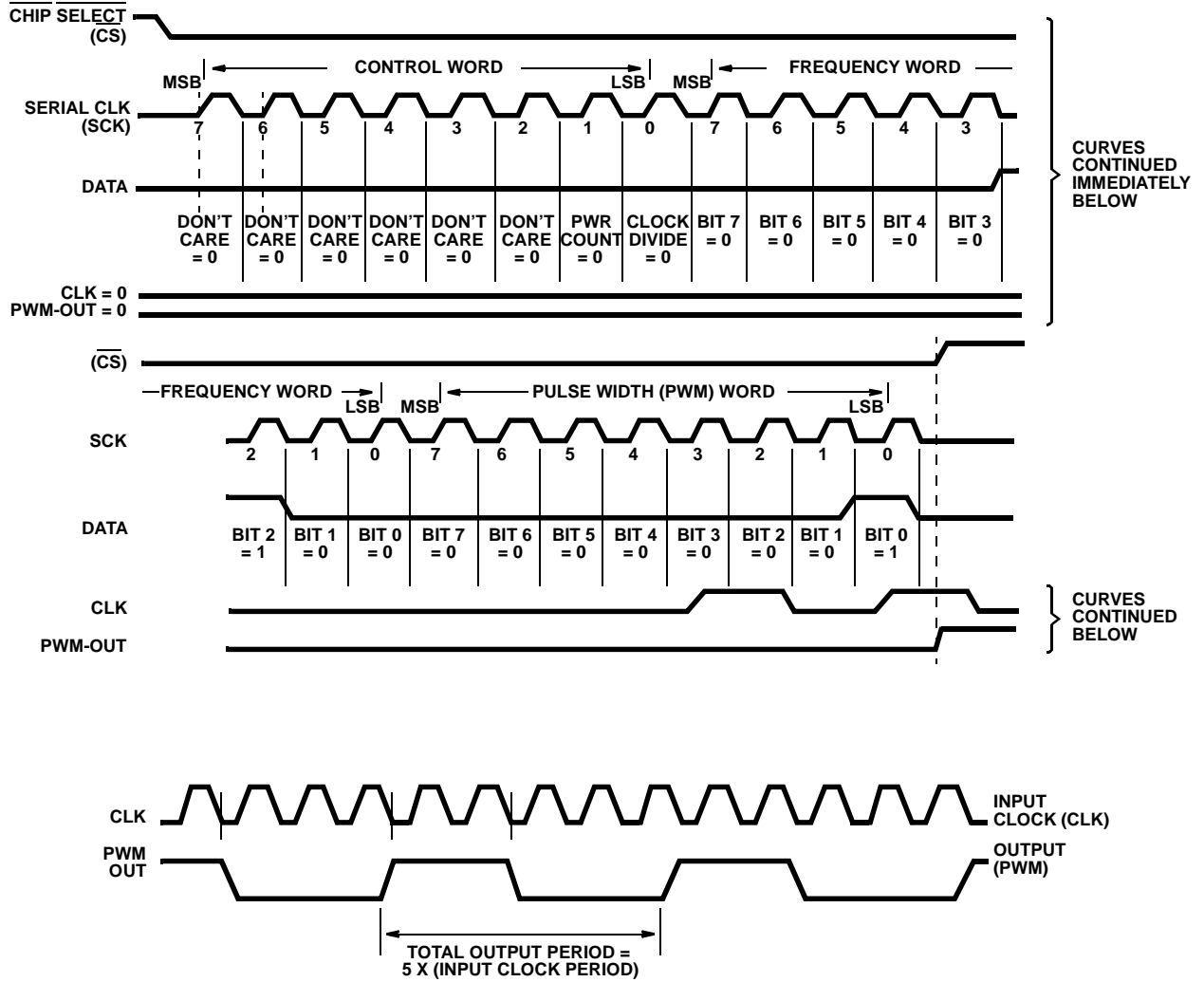


FIGURE 3. CDP68HC68W1 INTERFACE TIMING SPECIFICATIONS (CONTINUED)

Introduction

The digital pulse width modular (DPWM) divides down a clock signal supplied via the CLK input as specified by the control, frequency, and pulse width data registers. The resultant output signal, with altered frequency and duty cycle, appears at the output of the device on the PWM pin.

Functional Pin Description

V_{DD} and V_{SS}

These pins are used to supply power and establish logic levels within the PWM. V_{DD} is a positive voltage with respect to V_{SS} (ground).

CLK

The CLK pin is an input only pin where the clock signal to be altered by the PWM circuitry is supplied. This is the source of the PWM output. This input frequency can be internally divided by either one or two, depending on the state of the CD bit in the control register.

$\overline{\text{CS}}$

The CS pin is the chip select input to the PWM's SPI interface. A high-to-low (1 to 0) transition selects the chip. A low-to-high (0 to 1) transition deselects the chip and transfers data from the shift registers to the data registers.

VT

The VT pin is the input to the voltage threshold comparator on the PWM. An analog voltage greater than 0.75V (at V_{DD} = 5V) on this pin will immediately cause the PWM output to go to logic "0". This will be the status until the V_T input is returned to a voltage below 0.4V, the W1 is deselected, and then one or more of the data registers is written to.

An analog voltage on this pin less than 0.75V (at V_{DD} = 5V) will allow the device to operate as specified by the values in the registers.

DATA

Data input at this pin is clocked into the shift register (i.e., latched) on the rising edge of the serial clock (SCK), most significant bits first.

SCK

The SCK pin is the serial clock input to the PWM's SPI interface. A rising edge on this pin will shift data available at the (DATA) pin into the shift register.

PWM

This pin provides the resultant output frequency and pulse width. After V_{DD} power up, the output on this pin will remain a logic "0", until the chip is selected, 24 bits of information clocked in, and the chip deselected.

Functional Description

Serial Port

Data are entered into the three DPWM registers serially through the DATA pin, accompanied by a clock signal applied to the SCK. The user can supply these serial data via shift register(s) or a microcontroller's serial port, such as the SPI port available on most CDP68HC05 microcontrollers. Microcontroller I/O lines can also be used to simulate a serial port.

Data are written serially, most significant bit first, in 8, 16 or 24-bit increments. Data are sampled and shifted into the PWMs shift register on each rising edge of the SCK. The serial clock should remain low when inactive. Therefore, when using a 68HC05 microcontroller's SPI port to provide data, program the microcontroller's SPI control register bits CPOL, CPHA to 0, 0.

The CDP68HC68W1 latches data words after device deselection. Therefore, $\overline{\text{CS}}$ must go high (inactive) following each write to the W1.

Power-Up Initialization

Upon V_{DD} power up, the output of the PWM chip will remain at a low level (logic zero) until:

1. The chip is selected ($\overline{\text{CS}}$ pin pulled low).
2. 24-bit of information are shifted in.
3. The chip is deselected ($\overline{\text{CS}}$ pin pulled high).

The 24-bits of necessary information pertain to the loading of the PWM 8-bit registers, in the following order:

1. Control register
2. Frequency register
3. Pulse width register

See section entitled **Pulse Width Modulator Data Registers** for a description of each register. Once initialized, the specified PWM output signal will appear until the device is reprogrammed or the voltage on the V_T pin rises above the specified threshold. Reprogramming the device will update the PWM output after the end of the present output clock period.

Reprogramming Shortcuts

After the device has been fully programmed upon power up, it is only necessary to input 8 bits of information to alter the output pulse width, or 16 bits to alter the output frequency.

Altering the Pulse Width: The pulse width may be changed by selecting the chip, inputting 8 bits, and deselecting the chip. By deselecting the chip, data from the first 8-bit shift register are latched into the pulse width register (PWM register). The frequency and control registers remain unchanged. The updated PWM information will appear at the output only after the end of the previous total output period.

Altering the Frequency: The frequency can be changed by selecting the chip, inputting 16 bits (frequency information

CDP68HC68W1

followed by pulse width information), and deselected the chip. Deselection will transfer 16 bits of data from the shift register into the frequency register and PW register. The updated frequency and PW information will appear at the PWM output pin only after the end of the previous total output period.

Altering the Control Word: Changing the clock divider and/or power control bit in the CDPHC68W1 control register requires full 24-bit programming, as described under Power Up Initialization.

Pulse Width Modulator Data Registers

Byte 1: Control Register

7	6	5	4	3	2	1	0
0	0	0	0	0	0	PC	CD

B7-B2 Unused; "don't care".

B2, PC Power Control Bit. If this bit is a "0", the chip will remain in the active state. If the bit is set to a "1", internal clocking and the voltage comparator (VT) circuit and voltage reference will be disabled. Thus the chip will enter a low current drain mode. The chip may only reenter the active mode by clearing this bit and clocking in a full 24 bits of information.

B0, CD Clock Divider Bit. If this bit is a "0", the chip will set internal clocking (CLK) at a divide-by-one rate with respect to the (CLK). If this bit is set to "1", the internal clocking will be set to divide-by-2 state.

Byte 2: Frequency Data Register

7	6	5	4	3	2	1	0
PWM Frequency Register							

B7-B0 This register contains the value that will determine the output frequency or total period by:

$$F_{OUT} = \frac{F_{IN}}{(N+1)(CD+1)}$$

F_{OUT} = resultant PWM output frequency

F_{IN} = the frequency of input CLK

n = value in frequency register

CD = value of clock divider bit in control register.

For a case of n (binary value in frequency register) equal to 5, CD (clock divider) = 0 (divide-by-1), the PWM output will be a frequency 1/6 that of the input clock (CLK). Likewise, the output clock period will be equal to 6 input CLK periods.

Byte 3: Pulse Width Data Register

7	6	5	4	3	2	1	0
Pulse Width Data Register							

B7-B0 This register contains the value that will determine the pulse width or duty cycle (high duration) of the output PWM waveform.

$$PW = (N+1)(CD+1)$$

PW = Pulse width out as measured in number of input CLK periods.

CD = Value of clock divider bit in control register.

N = Value in PW register.

For a case of n (binary value in PW register) equal to 3 and CD (clock divider) = 0 (divide-by-1), the output will be 4 input clock periods of a high level followed by the remaining clocks of the total period which will be a low level.

Assuming the frequency register contains a value of 5, the resultant PWM output would be high for 4 CLK periods, low for 2.

Using the CDP68HC68W1

Programming the CDP68HC68W1

1. Select chip
2. Write to control register
3. Write to frequency register
4. Write to pulse width register
5. Deselect chip

NEXT - TO then alter the pulse width

1. Select chip
2. Write to pulse width register*
3. Deselect chip

OR - To then alter the frequency (and possibly PW):

1. Select chip
2. Write to frequency register*
3. Write to pulse width register*
4. Deselect chip

NOTE: All writes use 8-bit words

Example

when CD = 0,

When CD=0, frequency register = 4, pulse width register = 1; output = high for 2 input CLK periods, low for 3;

1. Select chip
2. Then write (most significant bit first) to the control, the frequency, and pulse width registers (control = 00, frequency = 04, PW = 1)

CDP68HC68W1

3. Deselect the chip

New pulse width out begins and PWM goes high when \overline{CS} is raised after last SCK pulse (assuming no previous time-out). PWM then toggles on falling CLK edges.

$$\text{Frequency} = \frac{\text{INPCLK}}{(04 + 1)(0 + 1)} = \frac{\text{INPCLK}}{5}$$

Resulting output waveform: Control = 00 = Divide-by-1, frequency = 4;

PW = 1: (1 + 1) (0 + 1) = 2 CLKs high time.

CDP68HC68W1 Application Example

The following example was written for a system which has the CDP68HC68W1 connected to the SPI bus of a CDP68HC05C8B microcontroller. The program sets the W1 to run a divide by 200 frequency with a duty cycle of 30% by writing to the Control Register, the Frequency Data Register,

and the Pulse Width Data Register. The frequency and pulse width are then modified. Finally the pulse width is modified without changing the frequency. The program was assembled using the Intersil HASM 3.0 assembler.

INTERSIL Corporation (c)1990 - 1997

68HC05 Assembler Version 3.0.2

Filename: W1.LST

Source Created:01/08/98, 10:36 am

Assembled: 01/08/98, 10:36 am

```

00001 *****
00002 * File:      W1.S
00003 *          Example W1 routines - sets W1 to a divide by
00004 *          200 output with 30% duty cycle
00005 *
00006 * Date:     Thursday, January 8, 1998
00007 *****
00008
00009 *****
00010 *          Partial Map of CDP68HC05C8B Hardware Registers
00011 *****
00012
00013          Section Registers, $0000
00014          PortA ds 1 ;Port A
00015          PortB ds 1 ;Port B
00016          PortC ds 1 ;Port C
00017          PortD ds 1 ;Port D
00018          DDRA ds 1 ;Port A Data Direction Register
00019          DDRB ds 1 ;Port B DDR
00020          DDRC ds 1 ;Port C DDR
00021          _Free1 ds 3 ;three unused locations
00022          SPCR ds 1 ;SPI Control Register
00023 $0006 = 6 SPE equ 6 ;SPI Enable bit
00024 $0004 = 4 MSTR equ 4 ;SPI Master Mode bit
00025          SPSR ds 1 ;SPI Status Register
00026 $0007 = 7 SPIF equ 7 ;SPI Flag bit for ANDs, CMPs, etc.
00027          SPDR ds 1 ;SPI Data Register
00028
00029 *****
00030 *          CDP68HC68W1 Constants
00031 *****
00032
00033 $0000 = 0 W1 equ 0 ;W1 is connected to bit 0 of Port A
00034 $0002 = 2 W1_PC equ 2 ;Power Control: 1 = power down
00035 $0001 = 1 W1_CD equ 1 ;Clock Divider: 1 = divide by 2
00036
00037 *****
00038
00039 *          Main Routines
00040 *****
00041
00042          Section Code, $0100
00043
00044* [6] 0100 AD37 jsr Init_W1 ;turn on PA0
00045          Set200_30
00046 [5] 0102 1100 bclr W1,PortA ;select W1 (CE is active low)
00047* [6] 0104 AD28 jsr Set_SPI_Mode ;Setup the 68HC05 SPI control
00048          ;to talk to the W1
00049

```

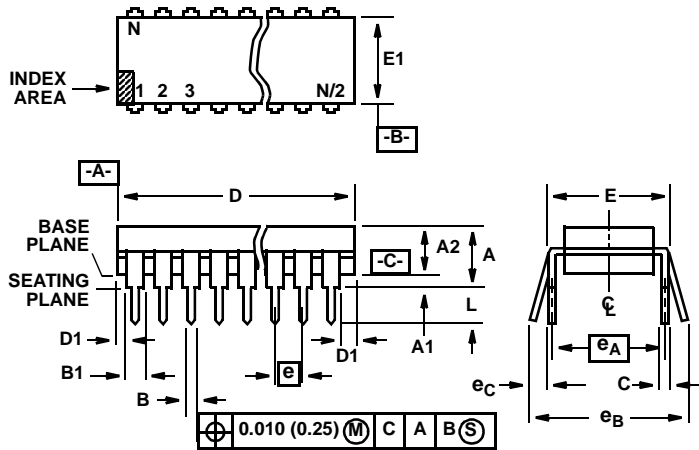
CDP68HC68W1

```

00050          ***** Set Up Control, Frequency, and Pulse Width
00051
00052          SendCommands
00053 [2] 0106 A601      lda    #W1_CD      ;set divide by two clock on W1
00054* [6] 0108 AD29     jsr    SPI_xmit
00055 [2] 010A A663     lda    #99        ;set frequency to divide by 2000
00056* [6] 010C AD25     jsr    SPI_xmit
00057 [2] 010E A61D     lda    #29        ;set pulse width to 30% duty cycle
00058* [6] 0110 AD21     jsr    SPI_xmit
00059
00060          DeselectW1_1
00061 [5] 0112 1000      bset   W1,PortA   ;deselect the W1 which loads registers
00062                                     ; with values transmitted
00063
00064          ;
00065          ; Here the CDP68HC05C8B would generally
00066          ; attend to other processing issues
00067          ;
00068
00069          ***** Modify Frequency and Pulse Width
00070
00071 [5] 0114 1100      bclr   W1,PortA   ;select W1 (CE is active low)
00072* [6] 0116 AD16     jsr    Set_SPI_Mode ;Setup the CDP68HC05 SPI Control...
00073                                     ;to talk to the W1
00074          SendCommands2
00075 [2] 0118 A631     lda    #49        ;set frequency to divide by 100 (the
00076* [6] 011A AD17     jsr    SPI_xmit   ;divide by 2 is still in effect)
00077 [2] 011C A609     lda    #9         ;set pulse width to 20% duty cycle
00078* [6] 011E AD13     jsr    SPI_xmit
00079
00080          DeselectW1_2
00081 [5] 0120 1000      bset   W1,PortA   ;deselect the W1 which loads registers
00082
00083          ;
00084          ; Here the CDP68HC05C8B would again
00085          ; attend to other processing issues
00086          ;
00087
00088          ***** Modify Pulse Width
00089
00090 [5] 0122 1100      bclr   W1,PortA   ;select W1 (CE is active low)
00091* [6] 0124 AD08     jsr    Set_SPI_Mode ;Setup the 68HC05 SPI control...
00092                                     ;to talk to the W1
00093          SendCommands3
00094 [2] 0126 A611     lda    #17        ;set pulse width to 38% duty cycle
00095* [6] 0128 AD09     jsr    SPI_xmit
00096
00097          DeselectW1_3
00098 [5] 012A 1000      bset   W1,PortA   ;deselect the W1 which loads registers
00099                                     ;with values transmitted
00100          Finish
00101 [3] 012C 20FE      bra    *          ;loop forever
00102
00103          *****
00104          * Common Subroutines
00105          *****
00106
00107          012E          Section Subroutines, *
00108
00109          Set_SPI_Mode
00110 [2] 012E A650     lda    #(2!SPE+2!MSTR) ;Enable SPI as a Master with....
00111 [4] 0130 B70A     sta    SPCR        ;CPHA=CPOL=0,
00112 [6] 0132 81      rts
00113          SPI_Xmit
00114 [4] 0133 B70C     sta    SPDR        ;send A to SPI device
00115          SPI_wait
00116 [5] 0135 0F0BFD   brclr  SPIF,SPSR,SPI_wait ;wait until transmit complete
00117 [6] 0138 81      rts
00118
00119          Init_W1
00120 [5] 0139 1000      bset   W1,PortA   ;disable the W1 (CE is active low)
00121 [5] 013B 1004      bset   W1,DDRA    ;by activating PA0 as a high

```


Dual-In-Line Plastic Packages (PDIP)



NOTES:

- Controlling Dimensions: INCH. In case of conflict between English and Metric dimensions, the inch dimensions control.
- Dimensioning and tolerancing per ANSI Y14.5M-1982.
- Symbols are defined in the "MO Series Symbol List" in Section 2.2 of Publication No. 95.
- Dimensions A, A1 and L are measured with the package seated in JEDEC seating plane gauge GS-3.
- D, D1, and E1 dimensions do not include mold flash or protrusions. Mold flash or protrusions shall not exceed 0.010 inch (0.25mm).
- E and e_A are measured with the leads constrained to be perpendicular to datum $-C-$.
- e_B and e_C are measured at the lead tips with the leads unconstrained. e_C must be zero or greater.
- B1 maximum dimensions do not include dambar protrusions. Dambar protrusions shall not exceed 0.010 inch (0.25mm).
- N is the maximum number of terminal positions.
- Corner leads (1, N, N/2 and N/2 + 1) for E8.3, E16.3, E18.3, E28.3, E42.6 will have a B1 dimension of 0.030 - 0.045 inch (0.76 - 1.14mm).

E8.3 (JEDEC MS-001-BA ISSUE D)
8 LEAD DUAL-IN-LINE PLASTIC PACKAGE

SYMBOL	INCHES		MILLIMETERS		NOTES
	MIN	MAX	MIN	MAX	
A	-	0.210	-	5.33	4
A1	0.015	-	0.39	-	4
A2	0.115	0.195	2.93	4.95	-
B	0.014	0.022	0.356	0.558	-
B1	0.045	0.070	1.15	1.77	8, 10
C	0.008	0.014	0.204	0.355	-
D	0.355	0.400	9.01	10.16	5
D1	0.005	-	0.13	-	5
E	0.300	0.325	7.62	8.25	6
E1	0.240	0.280	6.10	7.11	5
e	0.100 BSC		2.54 BSC		-
e_A	0.300 BSC		7.62 BSC		6
e_B	-	0.430	-	10.92	7
L	0.115	0.150	2.93	3.81	4
N	8		8		9

Rev. 0 12/93

All Intersil U.S. products are manufactured, assembled and tested utilizing ISO9000 quality systems.
Intersil Corporation's quality certifications can be viewed at www.intersil.com/design/quality

Intersil products are sold by description only. Intersil Corporation reserves the right to make changes in circuit design, software and/or specifications at any time without notice. Accordingly, the reader is cautioned to verify that data sheets are current before placing orders. Information furnished by Intersil is believed to be accurate and reliable. However, no responsibility is assumed by Intersil or its subsidiaries for its use; nor for any infringements of patents or other rights of third parties which may result from its use. No license is granted by implication or otherwise under any patent or patent rights of Intersil or its subsidiaries.

For information regarding Intersil Corporation and its products, see www.intersil.com