

LIQUID-CRYSTAL DISPLAY DRIVERS

4054B 4-SEGMENT DISPLAY DRIVER - STROBED LATCH FUNCTION

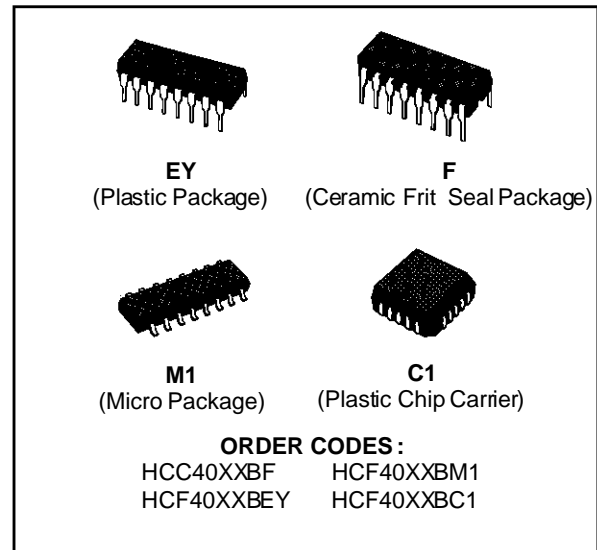
4055B BCD TO 7-SEGMENT DECODER/DRIVER, WITH "DISPLAY-FREQUENCY" OUTPUT

4056B BCD TO 7-SEGMENT DECODER/DRIVER WITH STROBED LATCH FUNCTION

- QUIESCENT CURRENT SPECIFIED TO 20V FOR HCC DEVICE
- OPERATION OF LIQUID CRYSTALS WITH COS/MOS CIRCUITS PROVIDES ULTRA-LOW-POWER DISPLAYS
- EQUIVALENT AC OUTPUT DRIVE FOR LIQUID-CRYSTAL DISPLAYS-NO EXTERNAL CAPACITOR REQUIRED
- VOLTAGE DOUBLING ACROSS DISPLAY [($V_{DD} - V_{EE}$) = 18V] RESULTS IN EFFECTIVE 36V (p-p) DRIVE ACROSS SELECTED DISPLAY SEGMENTS
- LOW-OR HIGH-OUTPUT LEVEL DC DRIVE FOR OTHER TYPES OF DISPLAYS
- ON-CHIP LOGIC-LEVEL CONVERSION FOR DIFFERENT INPUT AND OUTPUT-LEVEL SWINGS
- FULL DECODING OF ALL INPUT COMBINATIONS: "0-9, L, H, P, A-" AND BLANK POSITIONS
- INPUT CURRENT OF 100nA AT 18V AND 25°C FOR HCC DEVICE
- 100% TESTED FOR QUIESCENT CURRENT
- MEETS ALL REQUIREMENTS OF JEDEC TENTATIVE STANDARD N°. 13A, "STANDARD SPECIFICATIONS FOR DESCRIPTION OF "B" SERIES CMOS DEVICES"

DESCRIPTION

The **HCC4054B**, **HCC4055B** and **HCC4056B** (extended temperature range) and the **HCF4054B**, **HCF4055B** and **HCF4056B** (intermediate temperature range) are monolithic integrated circuits available in 16-lead dual in-line plastic or ceramic package and plastic micro package. The **HCC/HCF4055B** and **HCC/HCF4056B** types are single-digit BCD-to-7-segment decoder/driver circuits that provide level-shifting functions on the chip. This feature permits the BCD input-signal swings (V_{DD} to V_{SS}) to be the same as



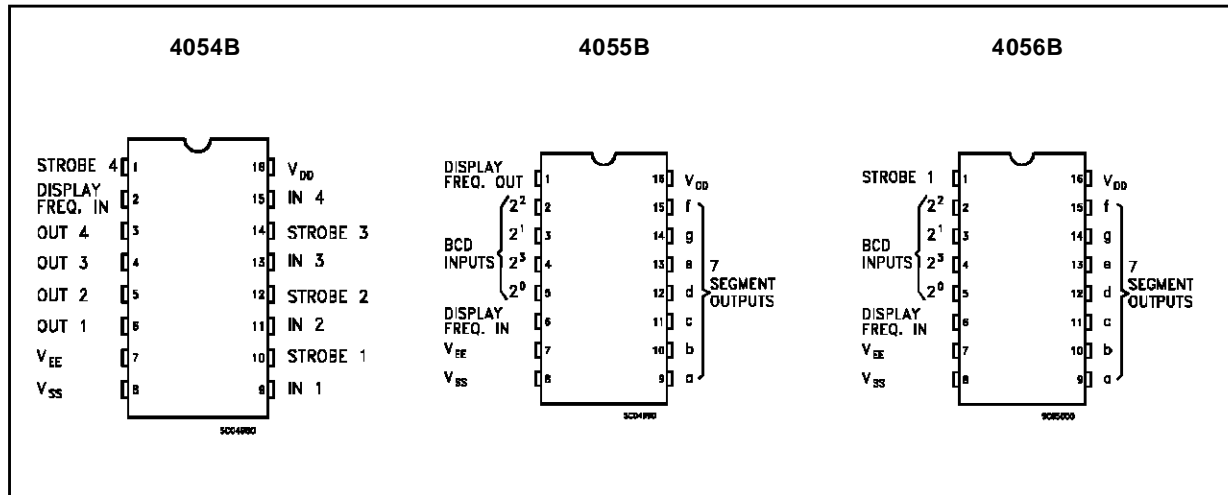
or different from the 7-segment output-signal swings (V_{DD} to V_{EE}). For example, the BCD input-signal swings (V_{DD} to V_{SS}) may be as low as 0 to -3V, whereas the output-display drive-signal swing (V_{DD} to V_{EE}) may be from 0 to -5V. If V_{DD} to V_{EE} exceeds 15V, V_{DD} to V_{SS} should be at least 4V. The 7-segment outputs are controlled by the DISPLAY-FREQUENCY (DF) input which causes the selected segment outputs to be low, high, or a square-wave output (for liquid-crystal displays). When the DF input is low the output segments will be high when selected by the BCD inputs. When the DF input is high, the output segments will be low when selected by the BCD inputs. When a square-wave is present at the DF input, the selected segments will have a square-wave output that is 180° out of phase with the DF input. Those segments which are not selected will have a square-wave output that is in phase with the input. DF square-wave repetition rates for liquid-crystal displays usually range from 30Hz (well above flicker rate) to 200Hz (well below the upper limit of the liquid-crystal frequency response). The **HCC/HCF4055B** provides a level-shifted high-amplitude DF output which is required for driving the common electrode in liquid-crystal displays. The **HCC/HCF4056B** provides a strobed-latch function at the BCD inputs. Decoding of all input combinations on the **HCC/HCF4055B** and **HCC/HCF4056B** provides displays of 0 to 9 as well

HCC/HCF4054B/55B/56B

as L, P, H, A, —, and a blank position. (see typical application for other letters). The **HCC/HCF4054B** provides level shifting similar to the **HCC/HCF4055B** and **HCC/HCF4056B** independently strobed latches, and common DF control on 4 signal lines. The **HCC/HCF4054B** is intended to provide drive-signal compatibility with the **HCC/HCF4055B** and **HCC/HCF4056B** 7-segment decoder types for the decimal point, colon, polarity, and similar display lines. A level-shifted high-amplitude DF output can be obtained from any **HCC/HCF4054B** output line by connecting the corresponding input and strobe lines to a low and high level, respectively. The **HCC/HCF4054B** may also be utilized for logic-level "up conversion" or "down conversion". For example, input-signal swings (V_{DD} to V_{SS}) from +5 to 0V can be converted to output-signal swings (V_{DD} to V_{EE}) of +5 to -5V. The level-shifted function on all three types permits the use of different input-and output-signal swings. The input swings from a low level of V_{SS} to a high level of V_{DD} while the output swings

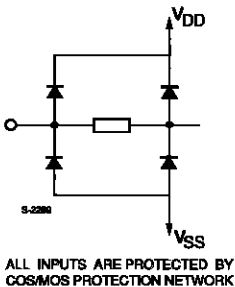
from a low level of V_{EE} to the same high level of V_{DD} . Thus, the input and output swings can be selected independently of each other over a 3-to-18V range. V_{SS} may be connected to V_{EE} when no level-shifting function is required. For the **HCC/HCF 4054B** and **HCC/HCF 4056B**, data are transferred from input to output by placing a high voltage level at the strobe input. A low voltage level at the strobe input latches the data input and the corresponding output segments remain selected (or non-selected) while the strobe is low. Whenever the level-shifting function is required, the **HCC/HCF4055B** can be used by itself to drive a liquid-crystal display (fig. 10 and fig. 12). The **HCC/HCF4056B**, however, must be used together with a **HCC/HCF4054B** to provide the common DF output (fig. 14). The capability of extending the voltage swing on the negative end (this voltage cannot be extended on the positive end) can be used to advantage in the set-up of fig. 11. Fig. 9 is common to all three types.

PIN CONNECTIONS

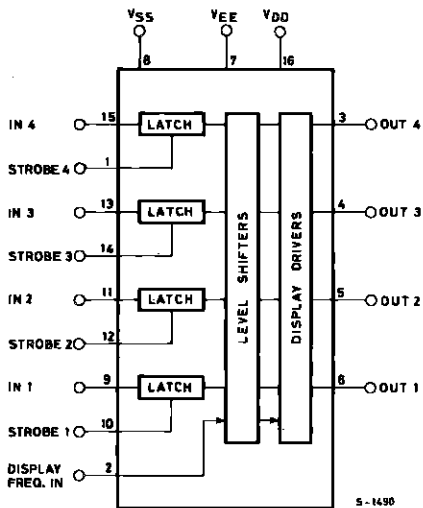


FUNCTIONAL DIAGRAMS

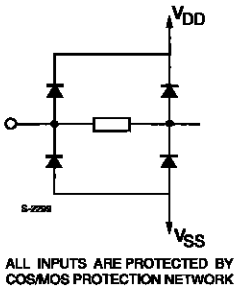
4054B



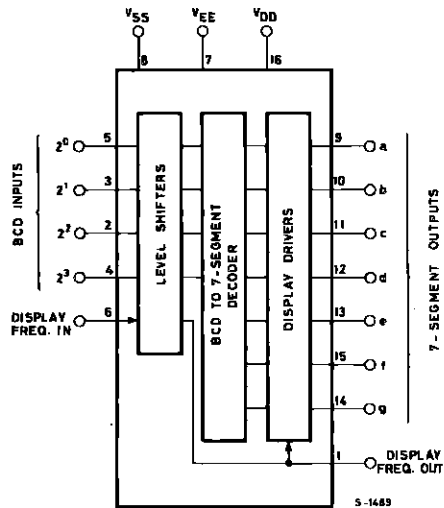
ALL INPUTS ARE PROTECTED BY COSMOS PROTECTION NETWORK



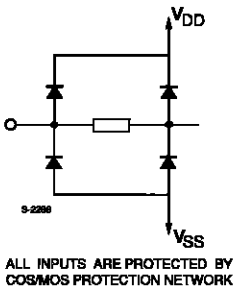
4055B



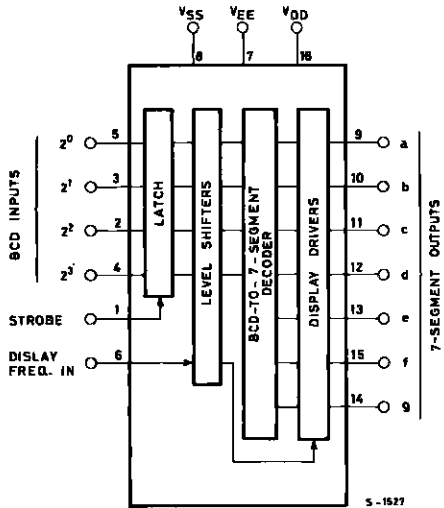
ALL INPUTS ARE PROTECTED BY COSMOS PROTECTION NETWORK



4056B



ALL INPUTS ARE PROTECTED BY COSMOS PROTECTION NETWORK



HCC/HCF4054B/55B/56B

ABSOLUTE MAXIMUM RATINGS

| Symbol | Parameter | Value | Unit |
|-------------------|--|--------------------------------|------|
| V _{DD} * | Supply Voltage : HCC Types HCF Types | - 0.5 to + 20 | V |
| | | - 0.5 to + 18 | V |
| V _i | Input Voltage | - 0.5 to V _{DD} + 0.5 | V |
| I _I | DC Input Current (any one input) | ± 10 | mA |
| P _{tot} | Total Power Dissipation (per package) Dissipation per Output Transistor for T _{op} = Full Package-temperature Range | 200 | mW |
| | | 100 | mW |
| T _{op} | Operating Temperature : HCC Types HCF Types | - 55 to + 125 | °C |
| | | - 40 to + 85 | °C |
| T _{stg} | Storage Temperature | - 65 to + 150 | °C |

Stresses above those listed under "Absolute Maximum Ratings" may cause permanent damage to the device. This is a stress rating only and functional operation of the device at these or any other conditions above those indicated in the operational sections of this specification is not implied. Exposure to absolute maximum rating conditions for external periods may affect device reliability.

* All voltage values are referred to V_{SS} pin voltage.

RECOMMENDED OPERATING CONDITIONS

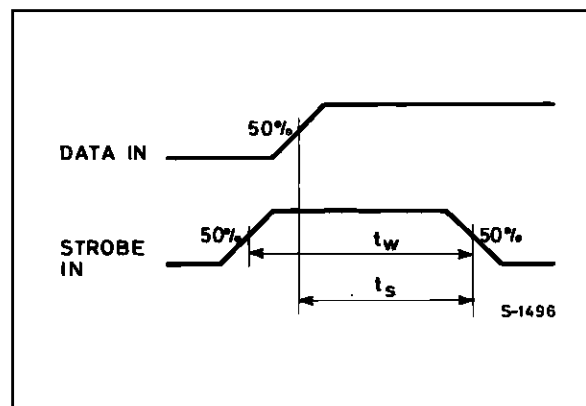
| Symbol | Parameter | Value | Unit |
|-----------------|--|----------------------|------|
| V _{DD} | Supply Voltage : HCC Types HCF Types | 3 to 18 | V |
| | | 3 to 15 | V |
| V _I | Input Voltage | 0 to V _{DD} | V |
| T _{op} | Operating Temperature : HCC Types HCF Types | - 55 to 125 | °C |
| | | - 40 to 85 | °C |

TRUTH TABLE

4055 B and 4056 B

| Input Code | | | | Output State | | | | | | | Display Character |
|----------------|----------------|----------------|----------------|--------------|---|---|---|---|---|---|-------------------|
| 2 ³ | 2 ² | 2 ¹ | 2 ⁰ | a | b | c | d | e | f | g | |
| 0 | 0 | 0 | 0 | 1 | 1 | 1 | 1 | 1 | 1 | 0 | 0 |
| 0 | 0 | 0 | 1 | 0 | 1 | 1 | 0 | 0 | 0 | 0 | 1 |
| 0 | 0 | 1 | 0 | 1 | 1 | 0 | 1 | 1 | 0 | 1 | 1 |
| 0 | 0 | 1 | 1 | 1 | 1 | 1 | 1 | 0 | 0 | 1 | 1 |
| 0 | 1 | 0 | 0 | 0 | 1 | 1 | 0 | 0 | 1 | 1 | 1 |
| 0 | 1 | 0 | 1 | 1 | 0 | 1 | 1 | 0 | 1 | 1 | 1 |
| 0 | 1 | 1 | 0 | 1 | 0 | 1 | 1 | 1 | 1 | 1 | 1 |
| 0 | 1 | 1 | 1 | 1 | 1 | 1 | 1 | 0 | 0 | 0 | 0 |
| 1 | 0 | 0 | 0 | 1 | 1 | 1 | 1 | 1 | 1 | 1 | 1 |
| 1 | 0 | 0 | 1 | 1 | 1 | 1 | 1 | 0 | 1 | 1 | 1 |
| 1 | 0 | 1 | 0 | 0 | 0 | 0 | 0 | 1 | 1 | 1 | 0 |
| 1 | 0 | 1 | 1 | 0 | 1 | 1 | 0 | 1 | 1 | 1 | 1 |
| 1 | 1 | 0 | 0 | 1 | 1 | 0 | 0 | 1 | 1 | 1 | 1 |
| 1 | 1 | 0 | 1 | 1 | 1 | 1 | 0 | 1 | 1 | 1 | 1 |
| 1 | 1 | 1 | 0 | 0 | 0 | 0 | 0 | 0 | 0 | 0 | 1 |
| 1 | 1 | 1 | 1 | 0 | 0 | 0 | 0 | 0 | 0 | 0 | 0 |

Data Setup Time and Strobe Pulse Duration.



STATIC ELECTRICAL CHARACTERISTICS (over recommended operating conditions)

| Symbol | Parameter | | Test Conditions | | | | | Value | | | | | | Unit | |
|--------------------------------------|--------------------------|-----------|------------------------|-----------------------|-----------------------|------------------------|------------------------|--------------------|-------|--------|-------------------|-------|---------------------|------|------|
| | | | V _{EE} (V) | V _I (V) | V _O (V) | V _{SS} (V) | V _{DD} (V) | T _{Low} * | | 25°C | | | T _{High} * | | |
| | | | | | | | | Min. | Max. | Min. | Typ. | Max. | Min. | | Max. |
| I _L | Quiescent Supply Current | HCC Types | - 5 | 0/5 | | 0 | 5 | | 5 | | 0.04 | 5 | | 150 | μA |
| | | | 0 | 0/10 | | 0 | 10 | | 10 | | 0.04 | 10 | | 300 | |
| | | | 0 | 0/15 | | 0 | 15 | | 20 | | 0.04 | 20 | | 600 | |
| | | HCF Types | 0 | 0/20 | | 0 | 20 | | 100 | | 0.08 | 100 | | 3000 | |
| | | | - 5 | 0/5 | | 0 | 5 | | 20 | | 0.04 | 20 | | 150 | |
| | | | 0 | 0/10 | | 0 | 10 | | 40 | | 0.04 | 40 | | 300 | |
| V _{OH} | Output High Voltage | | 0 | 0/5 | | 0 | 5 | 4.95 | | 4.95 | | | 4.95 | V | |
| | | | 0 | 0/10 | | 0 | 10 | 9.95 | | 9.95 | | | 9.95 | | |
| | | | 0 | 0/15 | | 0 | 15 | 14.95 | | 14.95 | | | 14.95 | | |
| V _{OL} | Output Low Voltage | | 0 | 5/0 | | 0 | 5 | | 0.05 | | | 0.05 | | V | |
| | | | 0 | 10/0 | | 0 | 10 | | 0.05 | | | 0.05 | | | |
| | | | 0 | 15/0 | | 0 | 15 | | 0.05 | | | 0.05 | | | |
| V _{IH} | Input High Voltage | | - 5 | | 0.5/4.5 | 0 | 5 | 3.5 | | 3.5 | | | 3.5 | V | |
| | | | 0 | | 1/9 | 0 | 10 | 7 | | 7 | | | 7 | | |
| | | | 0 | | 1.5/13.5 | 0 | 15 | 11 | | 11 | | | 11 | | |
| V _{IL} | Input Low Voltage | | 5 | | 0.5/4.5 | 0 | 5 | | 1.5 | | | 1.5 | | V | |
| | | | 0 | | 9/1 | 0 | 10 | | 3 | | | 3 | | | |
| | | | 0 | | 1.5/13.5 | 0 | 15 | | 4 | | | 4 | | | |
| I _{OH} | Output High Current | HCC Types | - 5 | 0/5 | 4.5 | 0 | 5 | - 0.6 | | - 0.45 | - 0.9 | | - 0.3 | mA | |
| | | | 0 | 0/10 | 9.5 | 0 | 10 | - 0.6 | | - 0.45 | - 0.9 | | - 0.3 | | |
| | | | 0 | 0/15 | 13.5 | 0 | 15 | - 1.9 | | - 1.5 | - 3 | | - 1.1 | | |
| | | HCF Types | - 5 | 0/5 | 4.5 | 0 | 5 | - 0.47 | | - 0.38 | - 0.9 | | - 0.28 | | |
| | | | 0 | 0/10 | 9.5 | 0 | 10 | - 0.47 | | - 0.38 | - 0.9 | | - 0.28 | | |
| | | | 0 | 0/15 | 13.5 | 0 | 15 | - 1.58 | | - 1.27 | - 3 | | - 0.95 | | |
| I _{OL} | Output Low Current | HCC Types | - 5 | 0/5 | 0.4 | 0 | 5 | 1.6 | | 1.3 | 2.6 | | 0.9 | mA | |
| | | | 0 | 0/10 | 0.5 | 0 | 10 | 1.6 | | 1.3 | 2.6 | | 0.9 | | |
| | | | 0 | 0/15 | 1.5 | 0 | 15 | 4.2 | | 3.4 | 6.8 | | 2.4 | | |
| | | HCF Types | - 5 | 0/5 | 0.4 | 0 | 5 | 1.37 | | 1.1 | 2.6 | | 0.82 | | |
| | | | 0 | 0/10 | 0.5 | 0 | 10 | 1.37 | | 1.1 | 2.6 | | 0.82 | | |
| | | | 0 | 0/15 | 1.5 | 0 | 15 | 3.62 | | 2.9 | 6.8 | | 2.17 | | |
| I _{IH} , I _{IL} ** | Input Leakage Current | HCC Types | 0 | 0/18 | | 0 | 18 | | ± 0.1 | | ±10 ⁻⁵ | ± 0.1 | | ± 1 | μA |
| | | HCF Types | 0 | 0/15 | | 0 | 15 | | ± 0.3 | | ±10 ⁻⁵ | ± 0.3 | | ± 1 | μA |
| C _I ** | Input Capacitance | | | | | | | | | 5 | 7.5 | | | pF | |

* T_{Low} = - 55°C for HCC device : - 40°C for HCF device.

* T_{High} = 125°C for HCC device : + 85°C for HCF device.

The Noise Margin for both "1" and "0" level is : 1V min. with V_{DD} = 5V, 2V min. with V_{DD} = 10V, 2.5 V min. with V_{DD} = 15V.

** Any input

HCC/HCF4054B/55B/56B

DYNAMIC ELECTRICAL CHARACTERISTICS ($T_{amb} = 25^{\circ}\text{C}$, $C_L = 50\text{pF}$, $R_L = 200\text{k}\Omega$, typical temperature coefficient for all V_{DD} values is $0.3\%/^{\circ}\text{C}$, all input rise and fall times = 20ns)

| Symbol | Parameter | Test Conditions | | | Types | | | | | | Unit | |
|--------------------|--|-----------------|-----------------|-----------------|-----------------|-------|------|------|--------------|------|------|------|
| | | | V_{EE} (V) | V_{SS} (V) | V_{DD} (V) | 4054B | | | 4055B, 4056B | | | |
| | | | | | | Min. | Typ. | Max. | Min. | Typ. | | Max. |
| t_{PHL}, t_{PLH} | Propagation Delay Time (any input to any output) | -5 | 0 | 5 | | 400 | 800 | | 650 | 1300 | ns | |
| | | 0 | 0 | 10 | | 340 | 680 | | 575 | 1150 | | |
| | | 0 | 0 | 15 | | 250 | 500 | | 375 | 750 | | |
| t_{THL}, t_{TLH} | Transition Time (any output) | -5 | 0 | 5 | | 100 | 200 | | 100 | 200 | ns | |
| | | 0 | 0 | 10 | | 100 | 200 | | 100 | 200 | | |
| | | 0 | 0 | 15 | | 75 | 150 | | 75 | 150 | | |
| t_{setup}^* | Data Setup Time | -5 | 0 | 5 | 220 | 110 | | 220 | 110 | | ns | |
| | | 0 | 0 | 10 | 100 | 50 | | 100 | 50 | | | |
| | | 0 | 0 | 15 | 70 | 35 | | 70 | 35 | | | |
| t_W^* | Strobe Pulse Width | -5 | 0 | 5 | 220 | 110 | | 220 | 110 | | ns | |
| | | 0 | 0 | 10 | 100 | 50 | | 100 | 50 | | | |
| | | 0 | 0 | 15 | 70 | 35 | | 70 | 35 | | | |

* HCC/HCF4054B and HCC/HCF4056B only.

Figure 1 : Typical Output Low (sink) Current Characteristics.

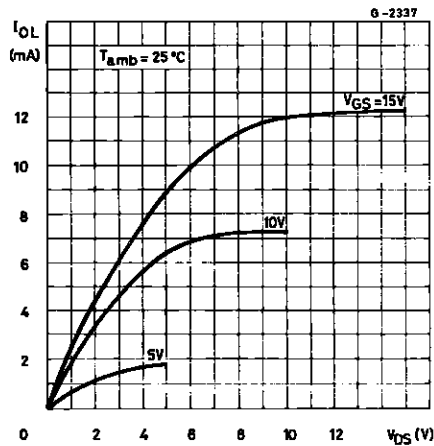


Figure 2 : Minimum Output High (source) Current Characteristics.

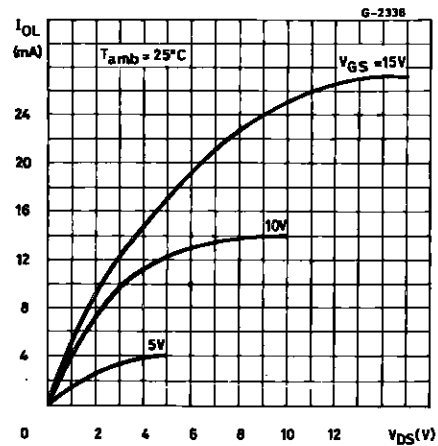


Figure 3 : Typical Output High (source) Current Characteristics.

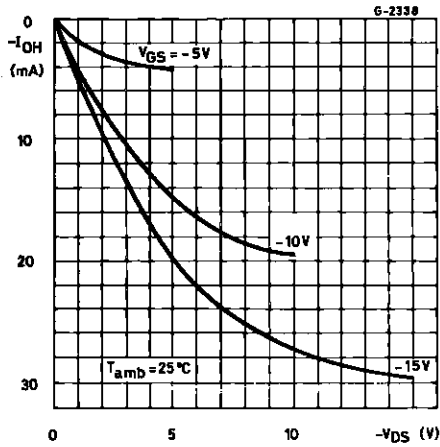


Figure 4 : Minimum Output (source) Current Characteristics.

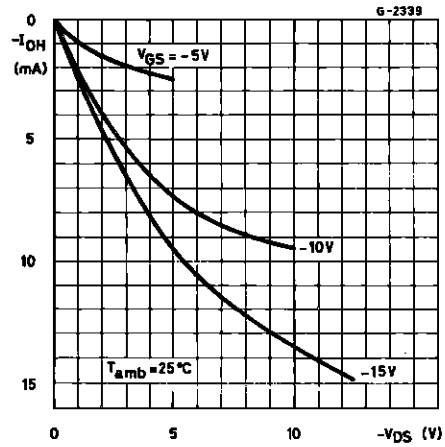


Figure 5 : Typical Propagation Delay Time vs. Load Capacitance (for 4054B).

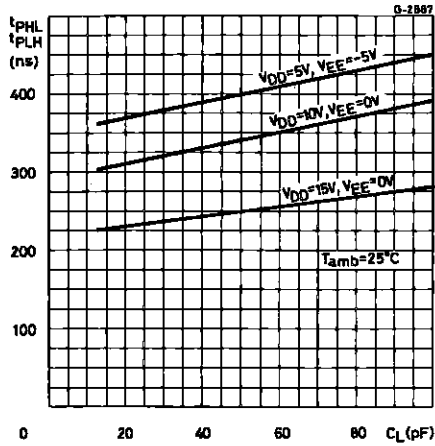


Figure 6 : Typical Propagation Delay Time vs. Load Capacitance (for 4055B and 4056B).

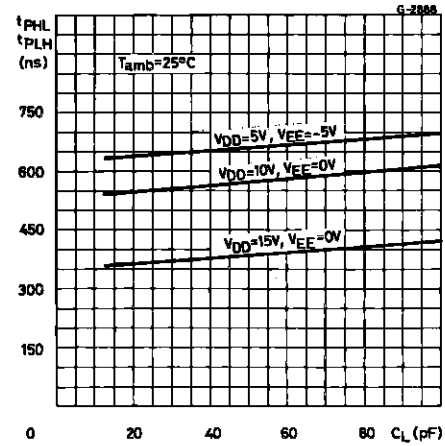


Figure 7 : Typical Transition Time vs. Load Capacitance.

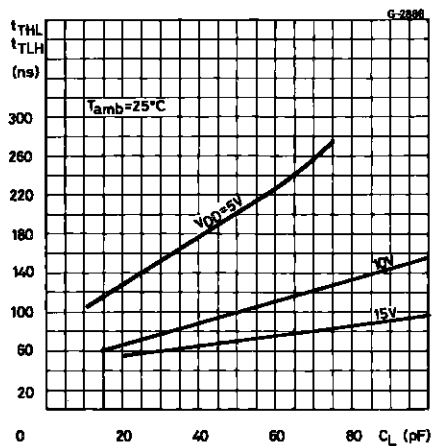
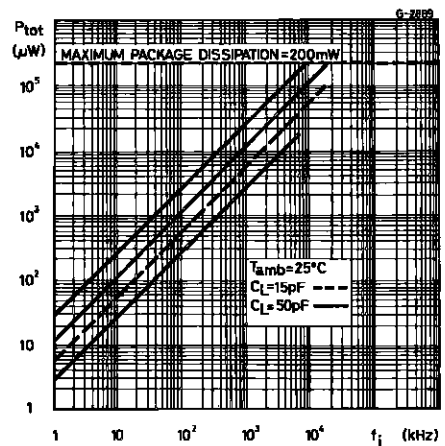


Figure 8 : Typical Dynamic Power Dissipation vs. Frequency.



TYPICAL APPLICATIONS

Figure 9 : Display-driver Circuit for one Segment Line and Waveforms.

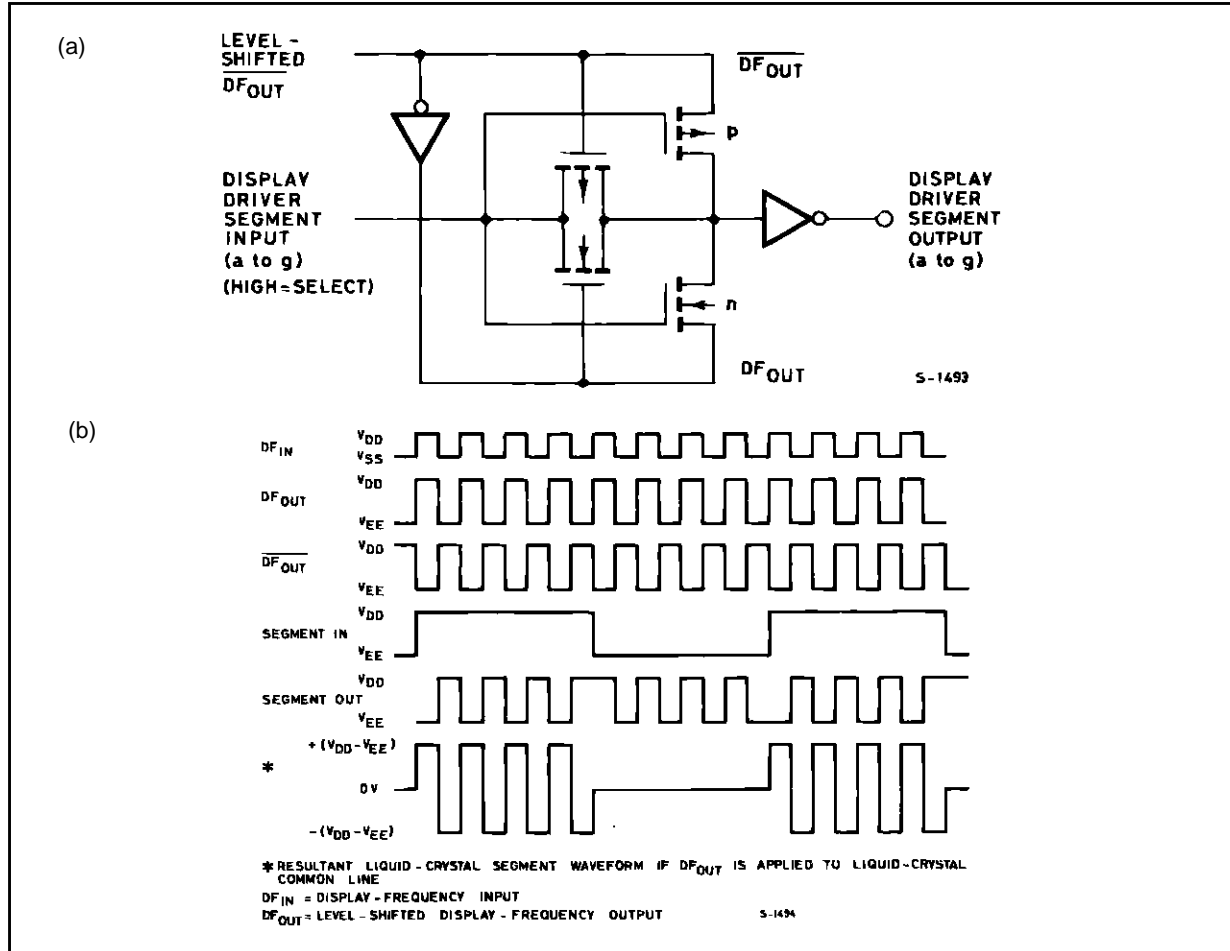
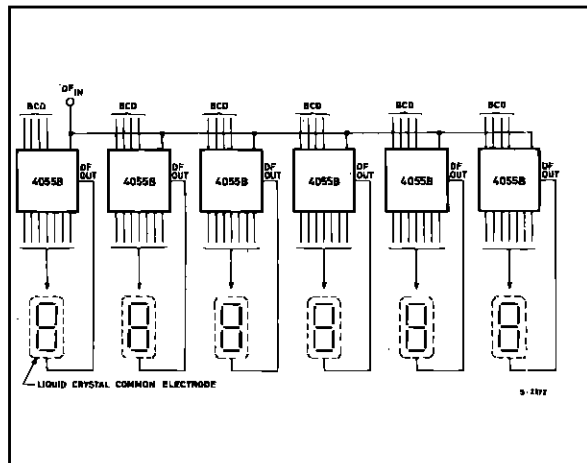
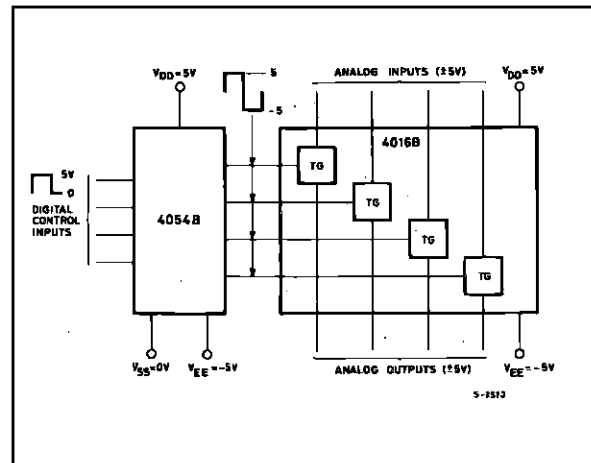


Figure 10 : Clock Display.



$V_{DD} = 0V$, $V_{SS} = -5V$, $V_{EE} = -15V$, $F_{IN} = 30$ Hz square wave.

Figure 11 : Digital (0 to +5V) to bidirectional Analog Control (+5 to -5V) Level Shifter.



TYPICAL APPLICATIONS (continued)

Figure 12 : Single-digit Liquid Crystal Display.

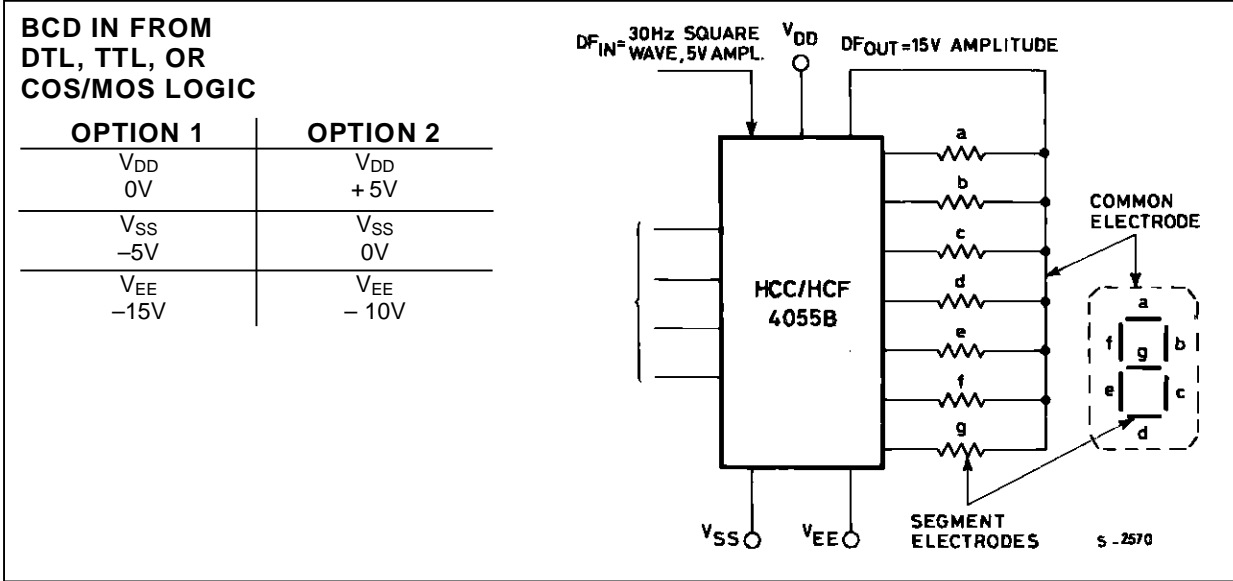
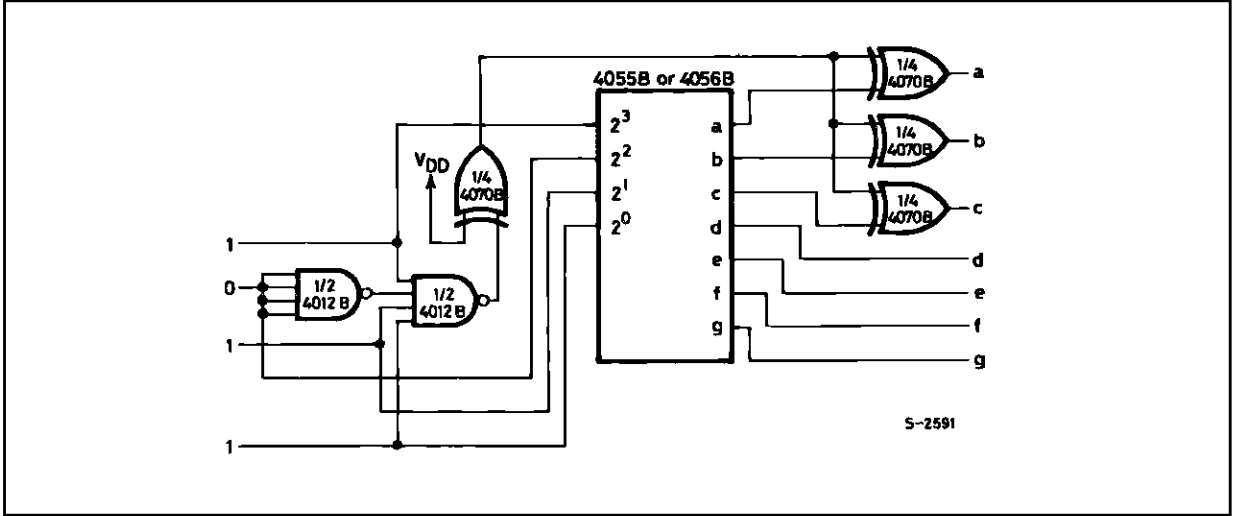


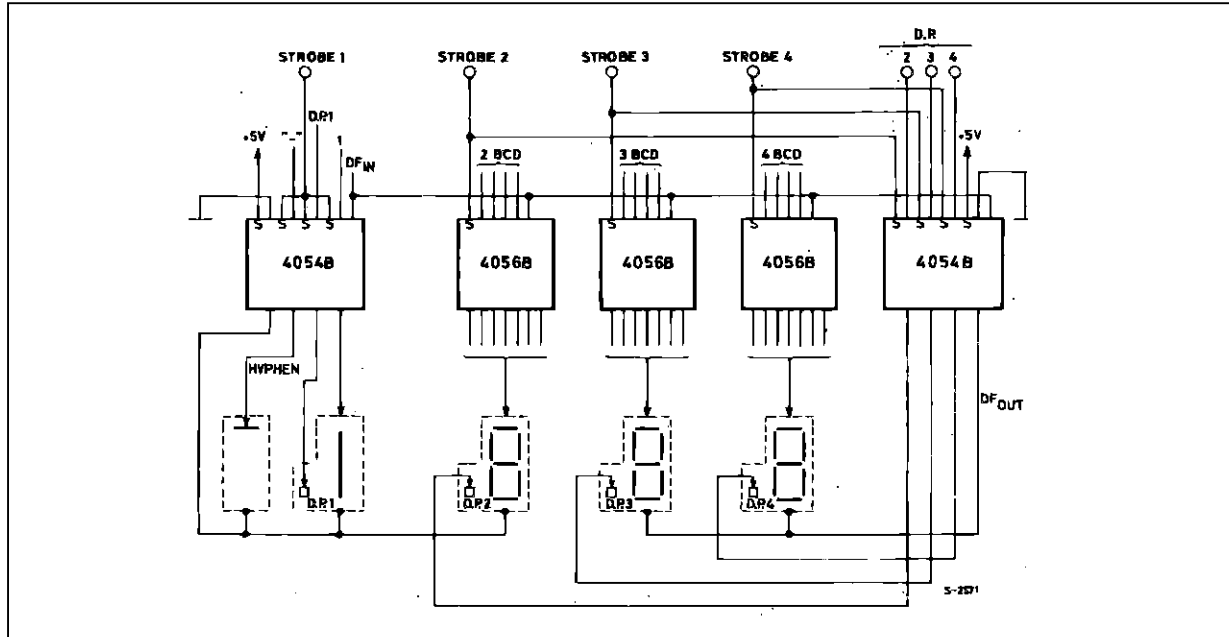
Figure 13 : Conversion of "H" Display to "F" Display.



HCC/HCF4054B/55B/56B

TYPICAL APPLICATIONS (continued)

Figure 14 : Typical 3 1/2 – Digit–crystal Display : ($V_{DD} = +5V$, $V_{SS} = 0V$, $V_{EE} = -10V$, $DF_N = 30\text{ Hz square}$).

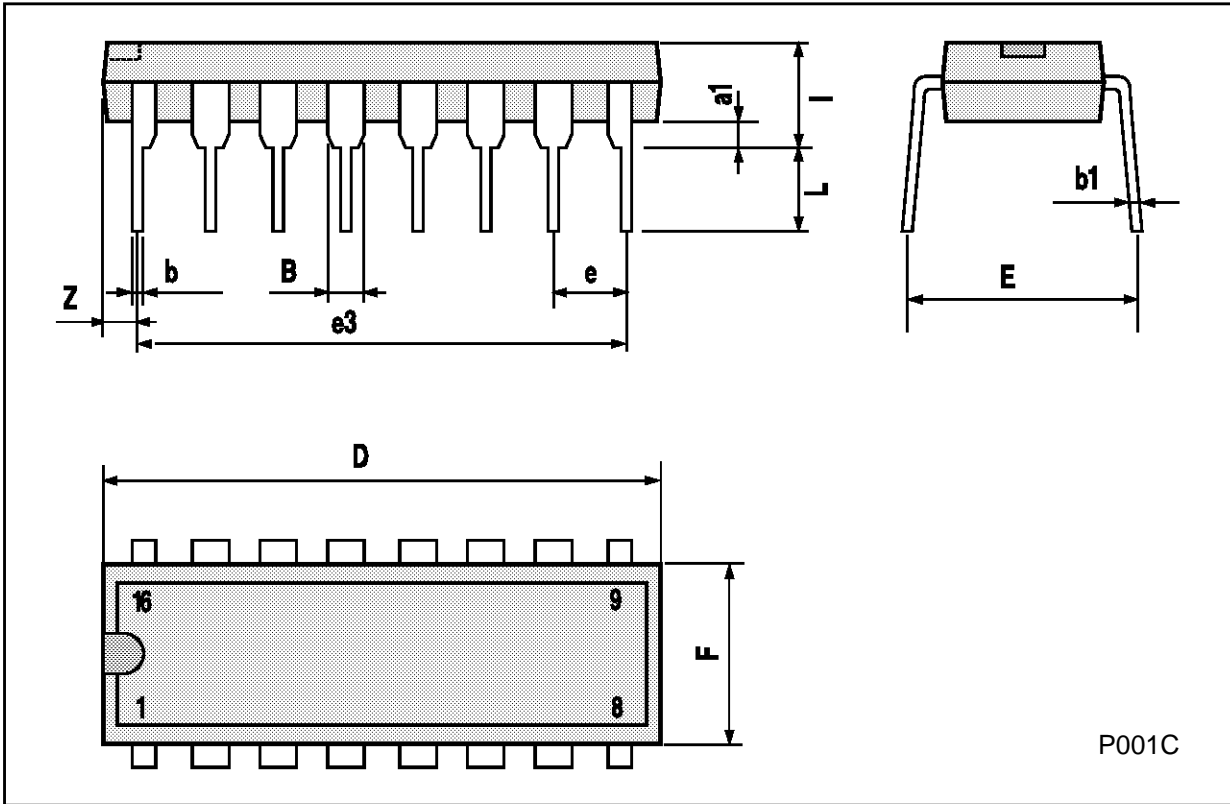


In addition to the letters L, H, P, and A, five other letters can be displayed through the use of simple logic circuits preceding and following the **HCC/HCF4055B** or **HCC/HCF4056B** devices. Fig. 13 is an example of a circuit that converts an "H" display, (code 1011) to an "F" display. One condition that must be met is that $V_{EE} = V_{SS}$. If $V_{EE} \neq V_{SS}$, the **HCC/HCF4054B** must be used to level shift in the

appropriate places. In a similar manner the letters C, E, J, and U can be displayed. These circuits can also be used to drive LED displays provided the exclusive-OR gates have sufficient output-current drive. The letters B, D, G, I, O, and S may be represented by the codes for numbers 8, 0, 6, 1, 0, and 5, respectively, when there is preknowledge that only letters are to be displayed.

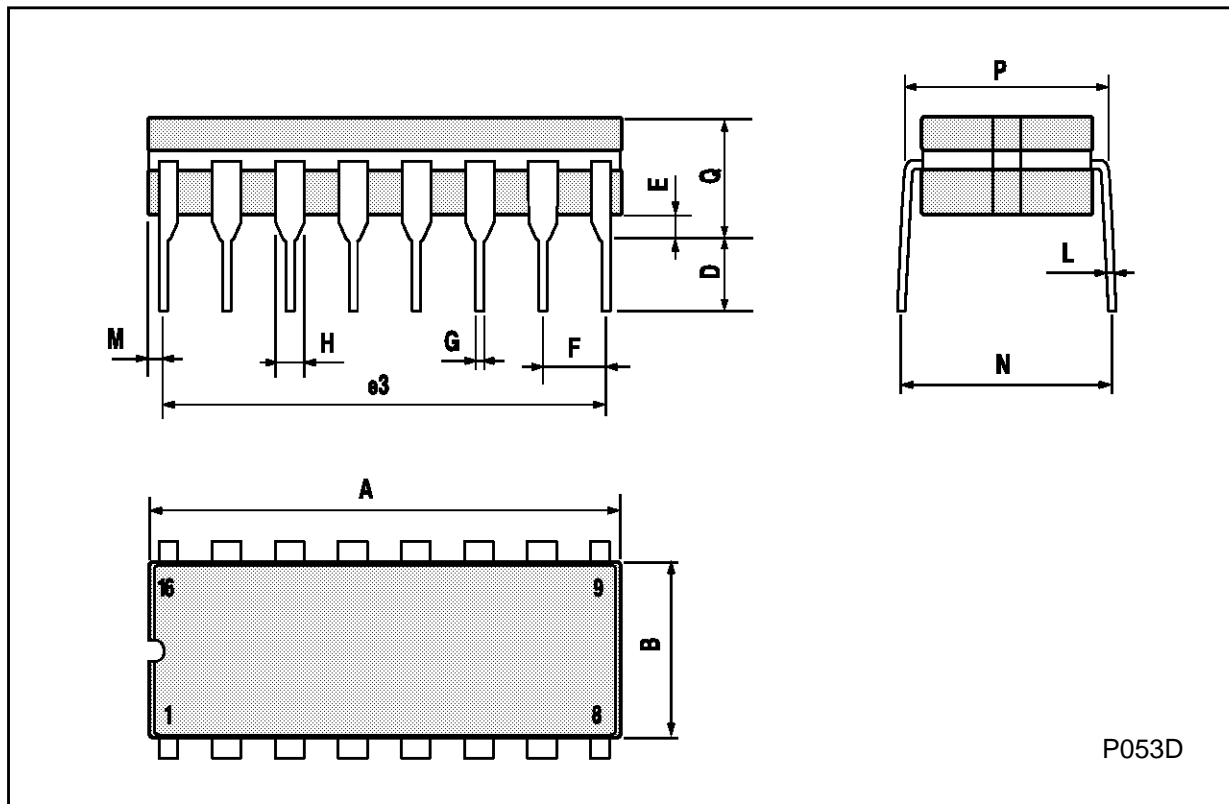
Plastic DIP16 (0.25) MECHANICAL DATA

| DIM. | mm | | | inch | | |
|------|------|-------|------|-------|-------|-------|
| | MIN. | TYP. | MAX. | MIN. | TYP. | MAX. |
| a1 | 0.51 | | | 0.020 | | |
| B | 0.77 | | 1.65 | 0.030 | | 0.065 |
| b | | 0.5 | | | 0.020 | |
| b1 | | 0.25 | | | 0.010 | |
| D | | | 20 | | | 0.787 |
| E | | 8.5 | | | 0.335 | |
| e | | 2.54 | | | 0.100 | |
| e3 | | 17.78 | | | 0.700 | |
| F | | | 7.1 | | | 0.280 |
| I | | | 5.1 | | | 0.201 |
| L | | 3.3 | | | 0.130 | |
| Z | | | 1.27 | | | 0.050 |



Ceramic DIP16/1 MECHANICAL DATA

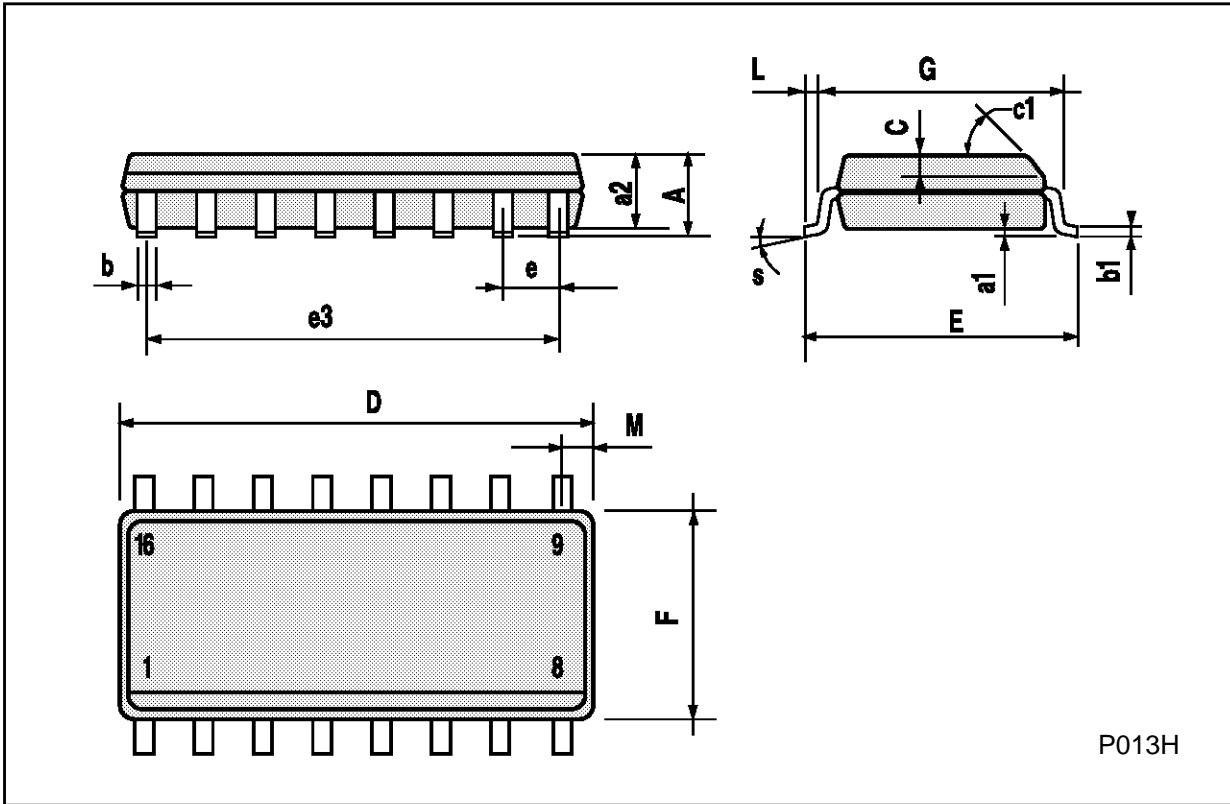
| DIM. | mm | | | inch | | |
|------|------|-------|------|-------|-------|-------|
| | MIN. | TYP. | MAX. | MIN. | TYP. | MAX. |
| A | | | 20 | | | 0.787 |
| B | | | 7 | | | 0.276 |
| D | | 3.3 | | | 0.130 | |
| E | 0.38 | | | 0.015 | | |
| e3 | | 17.78 | | | 0.700 | |
| F | 2.29 | | 2.79 | 0.090 | | 0.110 |
| G | 0.4 | | 0.55 | 0.016 | | 0.022 |
| H | 1.17 | | 1.52 | 0.046 | | 0.060 |
| L | 0.22 | | 0.31 | 0.009 | | 0.012 |
| M | 0.51 | | 1.27 | 0.020 | | 0.050 |
| N | | | 10.3 | | | 0.406 |
| P | 7.8 | | 8.05 | 0.307 | | 0.317 |
| Q | | | 5.08 | | | 0.200 |



P053D

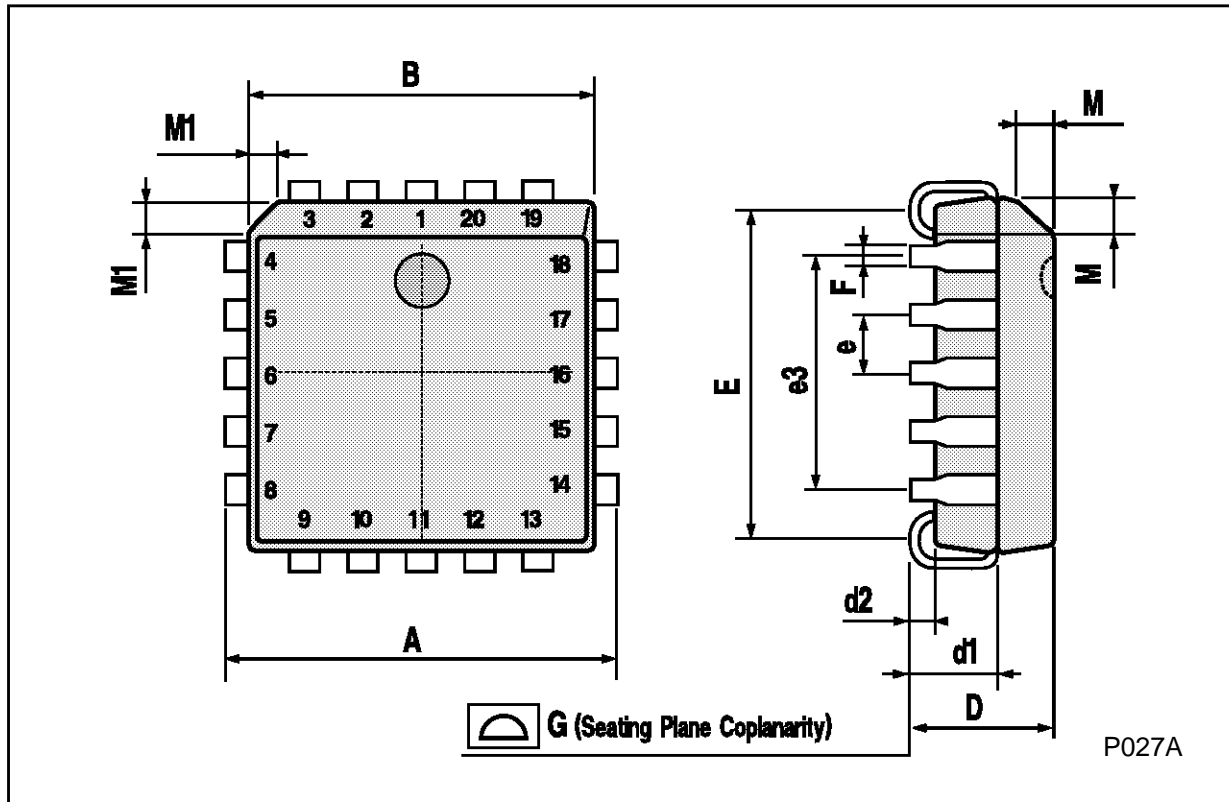
SO16 (Narrow) MECHANICAL DATA

| DIM. | mm | | | inch | | |
|------|------------|------|------|-------|-------|-------|
| | MIN. | TYP. | MAX. | MIN. | TYP. | MAX. |
| A | | | 1.75 | | | 0.068 |
| a1 | 0.1 | | 0.2 | 0.004 | | 0.007 |
| a2 | | | 1.65 | | | 0.064 |
| b | 0.35 | | 0.46 | 0.013 | | 0.018 |
| b1 | 0.19 | | 0.25 | 0.007 | | 0.010 |
| C | | 0.5 | | | 0.019 | |
| c1 | 45° (typ.) | | | | | |
| D | 9.8 | | 10 | 0.385 | | 0.393 |
| E | 5.8 | | 6.2 | 0.228 | | 0.244 |
| e | | 1.27 | | | 0.050 | |
| e3 | | 8.89 | | | 0.350 | |
| F | 3.8 | | 4.0 | 0.149 | | 0.157 |
| G | 4.6 | | 5.3 | 0.181 | | 0.208 |
| L | 0.5 | | 1.27 | 0.019 | | 0.050 |
| M | | | 0.62 | | | 0.024 |
| S | 8° (max.) | | | | | |



PLCC20 MECHANICAL DATA

| DIM. | mm | | | inch | | |
|------|------|------|-------|-------|-------|-------|
| | MIN. | TYP. | MAX. | MIN. | TYP. | MAX. |
| A | 9.78 | | 10.03 | 0.385 | | 0.395 |
| B | 8.89 | | 9.04 | 0.350 | | 0.356 |
| D | 4.2 | | 4.57 | 0.165 | | 0.180 |
| d1 | | 2.54 | | | 0.100 | |
| d2 | | 0.56 | | | 0.022 | |
| E | 7.37 | | 8.38 | 0.290 | | 0.330 |
| e | | 1.27 | | | 0.050 | |
| e3 | | 5.08 | | | 0.200 | |
| F | | 0.38 | | | 0.015 | |
| G | | | 0.101 | | | 0.004 |
| M | | 1.27 | | | 0.050 | |
| M1 | | 1.14 | | | 0.045 | |



Information furnished is believed to be accurate and reliable. However, SGS-THOMSON Microelectronics assumes no responsibility for the consequences of use of such information nor for any infringement of patents or other rights of third parties which may result from its use. No license is granted by implication or otherwise under any patent or patent rights of SGS-THOMSON Microelectronics. Specifications mentioned in this publication are subject to change without notice. This publication supersedes and replaces all information previously supplied. SGS-THOMSON Microelectronics products are not authorized for use as critical components in life support devices or systems without express written approval of SGS-THOMSON Microelectronics.

© 1994 SGS-THOMSON Microelectronics - All Rights Reserved

SGS-THOMSON Microelectronics GROUP OF COMPANIES

Australia - Brazil - France - Germany - Hong Kong - Italy - Japan - Korea - Malaysia - Malta - Morocco - The Netherlands -
Singapore - Spain - Sweden - Switzerland - Taiwan - Thailand - United Kingdom - U.S.A