



# DS-3 / E-3 ATM Adapter in PCI Mezzanine Card (PMC) Form-Factor

**ADVANCED INFORMATION**  
**IDT7M9250**

## FEATURES:

- Bus Interface: 33Mhz, 5V, 32-bit PCI bus version 2.1 Electrical Compliance
- Form-Factor: Single-Size Common Mezzanine Card (74mm x 149mm). Full Dimensional Compliance to Common Mezzanine Card Specification IEEE P1386 v.2.0.
- User selectable DS-3 / E-3 data rates supported.
- Up to 4K simultaneous transmit and receive connections supported.

## DESCRIPTION:

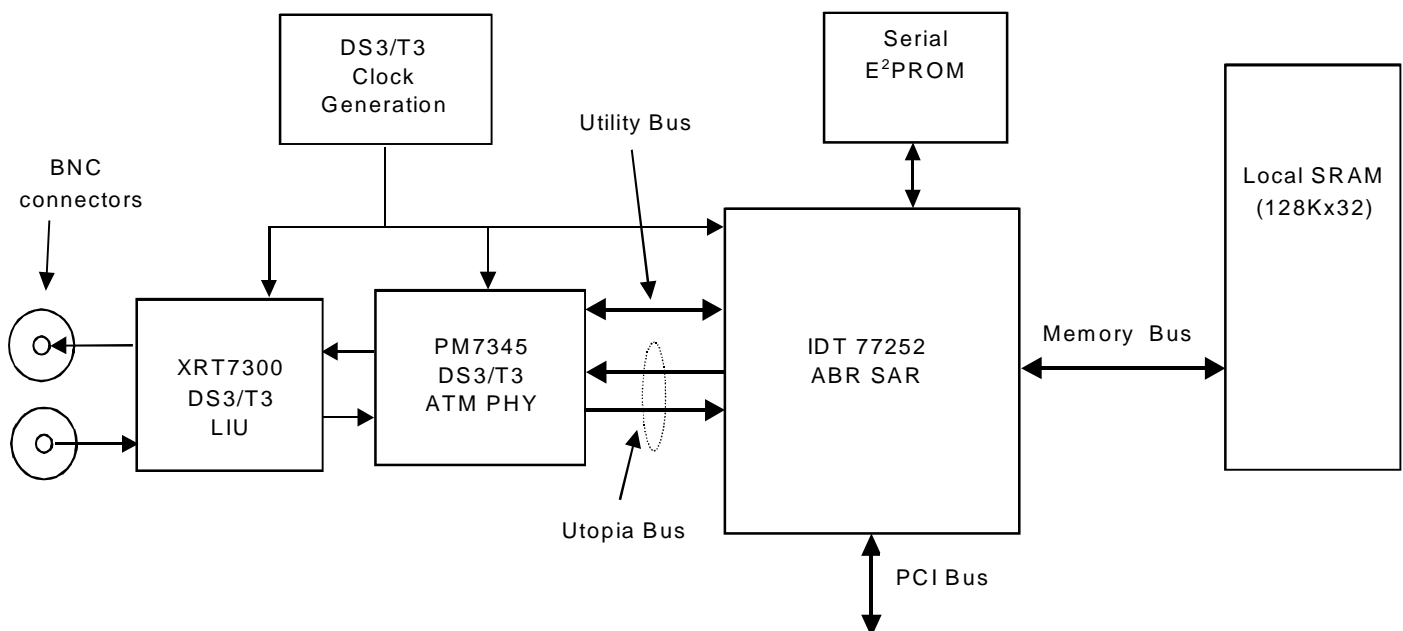
The IDT7M9250 provides reliable, high performance Asynchronous Transfer Mode over DS-3/ E-3 connectivity support for PCI Mezzanine Card (PMC)-based systems. The IDT7M9250 is designed for mechanical and electrical compliance with the Common Mezzanine Card Specification (IEEE1386) and the PCI Mezzanine Card Specification (IEEE1386.1). This low-profile I/O card is ideally suited to serve as an ATM Uplink on a Fast Ethernet switch or as ATM I/O card mounted on a standard VME or Compact PCI Board.

## OVERVIEW:

The central component of the IDT7M9250 is the IDT77252 NICSTAR™ Segmentation and Reassembly (SAR) controller. The IDT77252 SAR connects directly to the PCI bus, a private SRAM/EPROM bus, and the Utopia PHY interface. The IDT77252's PCI bus master interface provides efficient, low latency DMA transfer capability over PCI. For further information on the IDT77252 refer to the IDT77252 Datasheet and User's Manual located on the IDT website ([www.idt.com](http://www.idt.com)).

The PMC PM7345 PHY chip provides ATM cell mapping and Physical Layer Convergence Protocol (PLCP) for DS-3 and E-3 transmission systems. The PM7345 directly interfaces to the SAR through Utopia bus and to DS-3/E-3 line interface unit.

## BLOCK DIAGRAM



**JUNE 1999**