

ISO102
ISO106

SIGNAL ISOLATION BUFFER AMPLIFIERS

FEATURES

- 14-BIT LINEARITY
- INDUSTRY'S FIRST HERMETIC ISOLATION AMPLIFIERS AT LOW COST
- EASY-TO-USE COMPLETE CIRCUIT
- RUGGED BARRIER, HV CERAMIC CAPACITORS
- 100% TESTED FOR HIGH VOLTAGE BREAKDOWN
ISO102: 4000Vrms/10s, 1500Vrms/1min
ISO106: 8000Vpk/10s, 3500Vrms/1min
- ULTRA HIGH IMR: 125dB min at 60Hz, ISO106
- WIDE INPUT RANGE: -10V to +10V
- WIDE BANDWIDTH: 70kHz
- VOLTAGE REFERENCE OUTPUT: 5VDC

DESCRIPTION

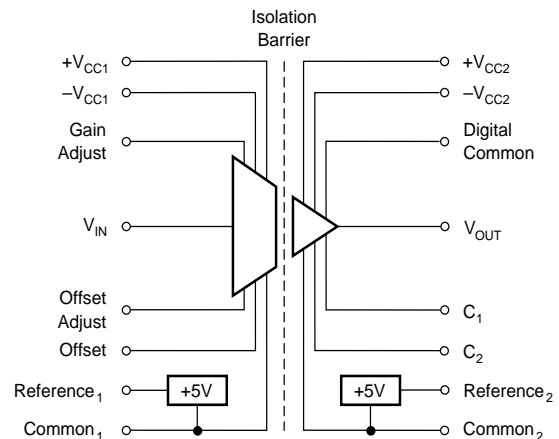
The ISO102 and ISO106 isolation buffer amplifiers are two members of our series of capacitive coupled isolation products from Burr-Brown. They have the same electrical performance and they differ in accuracy. The ISO102 is rated for 1500Vrms in a 24-pin DIP. The ISO106 is rated for 3500Vrms in a 40-pin DIP. Both side-brazed DIPs are 600mil wide and have industry standard package dimensions with the exception of missing pins between input and output stages. This permits utilization of automatic insertion techniques in production. The three-chip hybrid with its generous high voltage spacing is easy to use (no external components are required).

Each buffer accurately isolates $\pm 10V$ analog signals by digitally encoding the input voltage and uniquely coupling across a differential ceramic capacitive bar-

APPLICATIONS

- INDUSTRIAL PROCESS CONTROL
Transducer channel isolator for thermocouples, RTDs, pressure bridges, flow meters
- 4mA TO 20mA LOOP ISOLATION
- MOTOR AND SCR CONTROL
- GROUND LOOP ELIMINATION
- BIOMEDICAL/ANALYTICAL MEASUREMENTS
- POWER PLANT MONITORING
- DATA ACQUISITION/TEST EQUIPMENT ISOLATION
- MILITARY EQUIPMENT

rier. All elements necessary for operation are contained within the DIP. This provides compact signal isolation in a hermetic package.



Covered by patent number 4,748,419 and others pending.

International Airport Industrial Park • Mailing Address: PO Box 11400 • Tucson, AZ 85734 • Street Address: 6730 S. Tucson Blvd. • Tucson, AZ 85706
Tel: (520) 746-1111 • Twx: 910-952-1111 • Cable: BBRCORP • Telex: 066-6491 • FAX: (520) 889-1510 • Immediate Product Info: (800) 548-6132

SPECIFICATIONS

ELECTRICAL

At $T_A = +25^\circ\text{C}$ and $V_{CC1} = V_{CC2} = \pm 15\text{V}$ unless otherwise noted.

PARAMETER	CONDITIONS	ISO102, ISO106, ISO102B, ISO106B			UNITS
		MIN	TYP	MAX	
ISOLATION					
Voltage					
Rated Continuous ⁽¹⁾					Vrms
ISO102: AC, 60Hz	T_{MIN} to T_{MAX}	1500			VDC
DC	T_{MIN} to T_{MAX}	2121			Vrms
ISO106: AC, 60Hz	T_{MIN} to T_{MAX}	3500			VDC
DC	T_{MIN} to T_{MAX}	4950			
Test Breakdown, AC, 60Hz					Vrms
ISO102	10s	4000			Vpk
ISO106	10s	8000			
Isolation-Mode Rejection ⁽²⁾	$V_{ISO} = \text{Rated Continuous, 60Hz}$				dB
AC: ISO102		115	120	2	$\mu\text{Vrms/V}$
			1		dB
ISO106		125	130	0.6	$\mu\text{Vrms/V}$
			0.3		dB
DC		140	160	0.10	$\mu\text{VDC/V}$
			0.01		Ω
Barrier Resistance			10^{14}		pF
Barrier Capacitance			6		μArms
Leakage Current	$V_{ISO} = 240\text{Vrms, 60Hz}$		0.5	1	
INPUT					
Voltage Range	Rated Operation	-10		+10	V
Resistance		75	100		k Ω
Capacitance			5		pF
OUTPUT					
Voltage Range	Rated Operation Derated Operation	-10 -12		+10 +12	V
Current Drive		± 5			mA
Short Circuit Current		9	20	50	mA
Ripple Voltage ⁽⁶⁾	$f = 0.5\text{MHz to } 1.5\text{MHz}$		3		mVp-p
Resistance			0.3	1	Ω
Capacitive Load Drive Capability		10,000			pF
Overload Recovery Time, 0.1%	$ V_O > 12\text{V}$		30		μs
OUTPUT VOLTAGE NOISE					
Voltage: $f = 0.1\text{Hz to } 10\text{Hz}$			300		$\mu\text{Vp-p}$
$f = 0.1\text{Hz to } 70\text{kHz}$			16		$\mu\text{V}/\sqrt{\text{Hz}}$
Dynamic Range ⁽⁷⁾ : $f = 0.1\text{Hz to } 70\text{kHz}$	12-Bit Resolution, 1LSB, 20V FS		74		dB
$f = 0.1\text{Hz to } 280\text{Hz}$	16-Bit Resolution, 1LSB, 20V FS		96		dB
FREQUENCY RESPONSE					
Small Signal Bandwidth			70		kHz
Full Power Bandwidth, 0.1% THD			5		kHz
Slew Rate	$V_O = \pm 10\text{V}$		0.5		V/ μs
Settling Time, 0.1%	$V_O = \pm 10\text{V}$		100		μs
Overshoot, Small Signal ⁽⁸⁾	$V_O = -10\text{V to } +10\text{V}$ $C_1 = C_2 = 0$		40		%
VOLTAGE REFERENCES					
Voltage Output, Ref ₁ , Ref ₂	No Load	+4.975	+5	+5.025	VDC
B Grade	No Load	+4.995	+5	+5.005	VDC
vs Temperature			± 5	20	ppm/ $^\circ\text{C}$
vs Supplies			10		$\mu\text{V/V}$
vs Load			400	1000	$\mu\text{V/mA}$
Current Output		-0.1		+5	mA
Short Circuit Current		6	14	30	mA
POWER SUPPLIES					
Rated Voltage, $\pm V_{CC1}, \pm V_{CC2}$	Rated Performance		± 15		V
Voltage Range		± 10		± 20	V
Quiescent Current: $+V_{CC1}$	No Load		+11	+15	mA
$-V_{CC1}$			-9	-12	mA
$+V_{CC2}$			+25	+33	mA
$-V_{CC2}$			-15	-20	mA
Dissipation: $\pm V_{CC1}$			300	400	mW
$\pm V_{CC2}$			600	800	mW
TEMPERATURE RANGE					
Specification		-25		+85	$^\circ\text{C}$
Operating ⁽⁹⁾		-25		+85	$^\circ\text{C}$
Storage		-65		+150	$^\circ\text{C}$
Thermal Resistance, θ_{JA}			40		$^\circ\text{C/W}$
θ_{JC}			12		$^\circ\text{C/W}$

ELECTRICAL (CONT)

PARAMETER	CONDITIONS	ISO102			ISO102B			UNITS	
		MIN	TYP	MAX	MIN	TYP	MAX		
GAIN Nominal Gain Initial Error ⁽³⁾ Gain vs Temperature Nonlinearity ⁽⁴⁾	$V_O = -10V$ to $+10V$		1 ± 0.1 ± 20 ± 0.007	± 0.25 ± 50 ± 0.012		*	0.07 ± 12 ± 0.002	0.13 ± 25 ± 0.003	V/V % FSR ppm FSR/°C % FSR
INPUT OFFSET VOLTAGE Initial Offset vs Temperature vs Power Supplies ⁽⁵⁾	$V_{IN} = 0V$ Input Stage, $V_{CC1} = \pm 10V$ to $\pm 20V$ Output Stage, $V_{CC2} = \pm 10V$ to $\pm 20V$		± 25 ± 250 1.4 -4	± 70 ± 500 4.0 0		*	± 15 ± 150 *	± 25 ± 250 *	mV $\mu V/^\circ C$ mV/V mV/V

PARAMETER	CONDITIONS	ISO106			ISO106B			UNITS	
		MIN	TYP	MAX	MIN	TYP	MAX		
GAIN Nominal Gain Initial Error ⁽³⁾ Gain vs Temperature Nonlinearity ⁽⁴⁾	$V_O = -10V$ to $+10V$		1 ± 0.1 ± 20 ± 0.04	± 0.25 ± 50 ± 0.075		*	0.07 ± 12 ± 0.007	*	V/V % FSR ppm FSR/°C % FSR
INPUT OFFSET VOLTAGE Initial Offset vs Temperature vs Power Supplies ⁽⁵⁾	$V_{IN} = 0V$ Input Stage, $V_{CC1} = \pm 10V$ to $\pm 20V$ Output Stage, $V_{CC2} = \pm 10V$ to $\pm 20V$		± 25 ± 250 3.7 -3.7	± 70 ± 500		*	± 150 *	*	mV $\mu V/^\circ C$ mV/V mV/V

* Specification same as model to the left.

NOTES: (1) 100% tested at rated continuous for one minute. (2) Isolation-mode rejection is the ratio of the change in output voltage to a change in isolation barrier voltage. It is a function of frequency as shown in the Typical Performance Curves. This is specified for barrier voltage slew rates not exceeding 100V/ μs . (3) Adjustable to zero. FSR = Full Scale Range = 20V. (4) Nonlinearity is the peak deviation of the output voltage from the best fit straight line. It is expressed as the ratio of deviation to FSR. (5) Power supply rejection = change in $V_{OS}/20V$ supply change. (6) Ripple is the residual component of the barrier carrier frequency generated internally. (7) Dynamic range = FSR/(voltage spectral noise density x square root of user bandwidth). (8) Overshoot can be eliminated by band-limiting. (9) See "Power Dissipation vs Temperature" performance curve for limitations. (10) Band limited to 10Hz, bypass capacitors located less than 0.25" from supply pins.

ORDERING INFORMATION

MODEL	PACKAGE	TEMPERATURE RANGE
ISO102	Ceramic	-25°C to +85°C
ISO102B	Ceramic	-25°C to +85°C
ISO106	Ceramic	-25°C to +85°C
ISO106B	Ceramic	-25°C to +85°C

ABSOLUTE MAXIMUM RATINGS

Supply Without Damage	$\pm 20V$
Input Voltage Range	$\pm 50V$
Transient Immunity, dV/dt	100kV/ μs
Continuous Isolation Voltage Across Barrier	
ISO102	1500Vrms
ISO106	3500Vrms
Junction Temperature	+160°C
Storage Temperature Range	-65°C to +150°C
Lead Temperature (soldering, 10s)	+300°C
Amplifier and Reference Output	
Short Circuit Duration	Continuous to Common

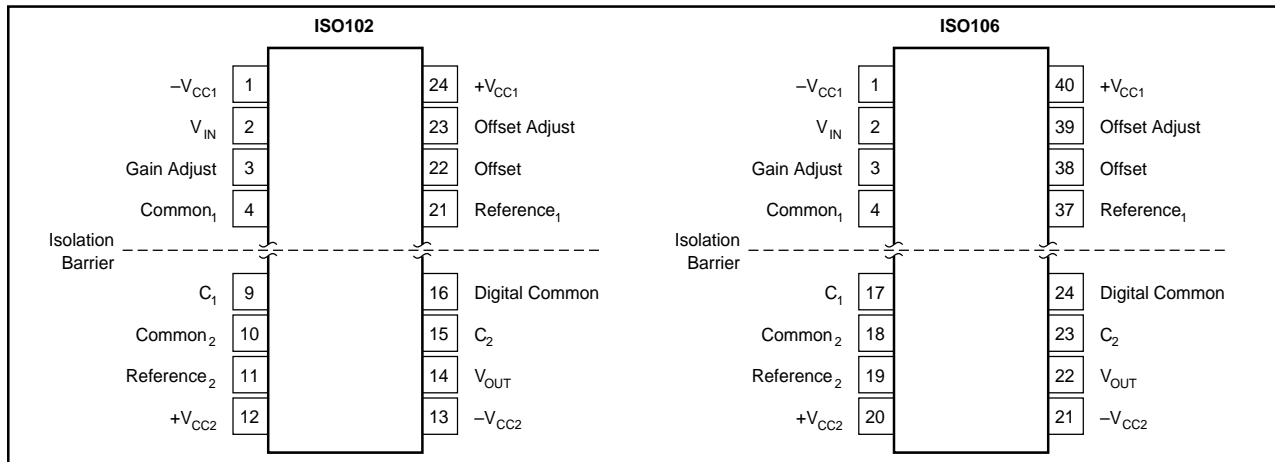
PACKAGE INFORMATION⁽¹⁾

MODEL	PACKAGE	PACKAGE DRAWING NUMBER
ISO102	24-Pin Ceramic	208
ISO102B	24-Pin Ceramic	208
ISO106	40-Pin Ceramic	206
ISO106B	40-Pin Ceramic	206

NOTE: (1) For detailed drawing and dimension table, please see end of data sheet, or Appendix D of Burr-Brown IC Data Book.

The information provided herein is believed to be reliable; however, BURR-BROWN assumes no responsibility for inaccuracies or omissions. BURR-BROWN assumes no responsibility for the use of this information, and all use of such information shall be entirely at the user's own risk. Prices and specifications are subject to change without notice. No patent rights or licenses to any of the circuits described herein are implied or granted to any third party. BURR-BROWN does not authorize or warrant any BURR-BROWN product for use in life support devices and/or systems.

PIN CONFIGURATION

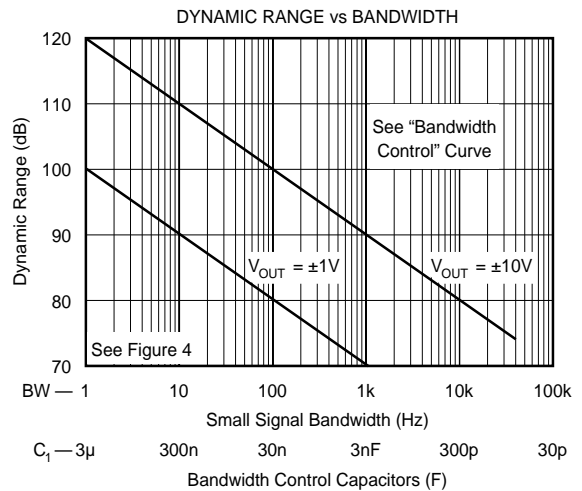
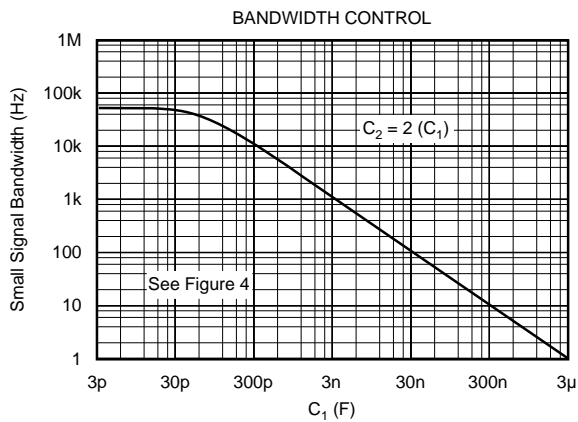
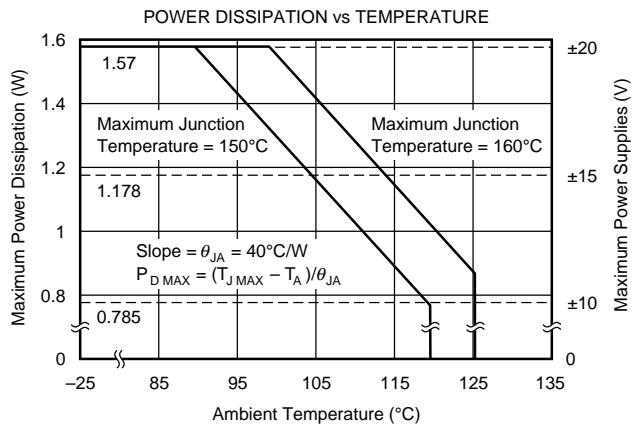
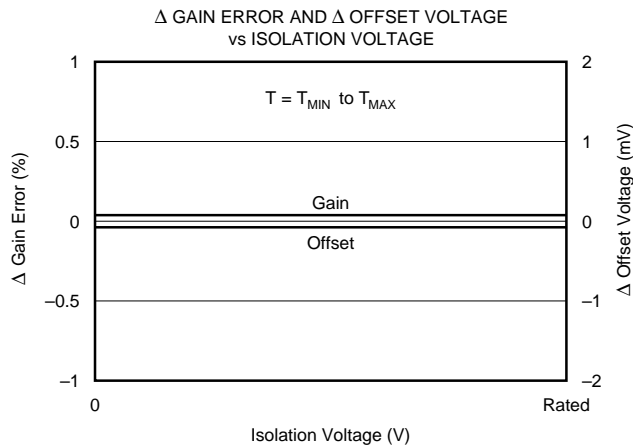
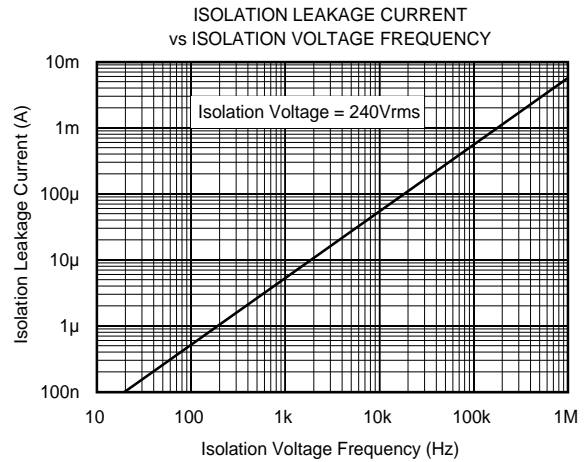
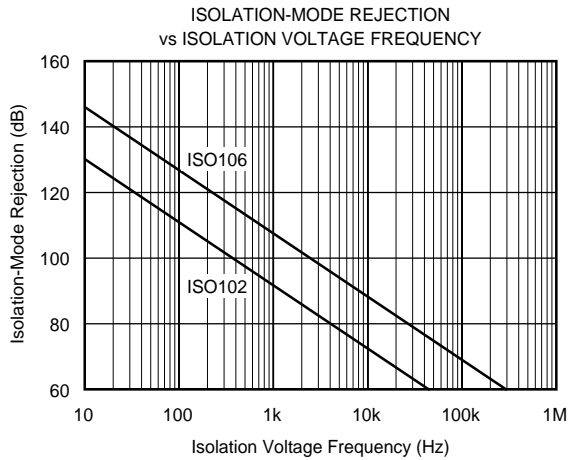


PIN DESCRIPTIONS

$\pm V_{CC1}$, Common ₁	Positive and negative power supply voltages and common (or ground) for the input stage. Common ₁ is the analog reference voltage for input signals. The voltage between Common ₁ and Common ₂ is the isolation voltage and appears across the internal high voltage barrier.
$\pm V_{CC2}$, Common ₂	Positive and negative power supply voltages and common (or ground) for the output stage. Common ₂ is the analog reference voltage for output signals. The voltage between Common ₁ and Common ₂ is the isolation voltage and appears across the internal high voltage barrier.
V_{IN}	Signal input pin. Input impedance is typically 100k Ω . The input range is rated for $\pm 10V$. The input level can actually exceed the input stage supplies. Output signal swing is limited only by the output supply voltages.
Gain Adjust	This pin is an optional signal input. A series 5k Ω potentiometer between this pin and the input signal allows a guaranteed $\pm 1.5\%$ gain adjustment range. When gain adjustment is not required, the Gain Adjust should be left open. Figure 4 illustrates the gain adjustment connection.
Reference ₁	+5V reference output. This low-drift zener voltage reference is necessary for setting the bipolar offset point of the input stage. This pin must be strapped to either Offset or Offset Adjust to allow the isolation amplifier to function. The reference is often useful for input signal conditioning circuits. See "Effect of Reference Loading on Offset" performance curve for the effect of offset voltage change with reference loading. Reference ₁ is identical to, but independent of, Reference ₂ . This output is short circuit protected.
Reference ₂	+5V reference output. This reference circuit is identical to, but independent of, Reference ₁ . It controls the bipolar offset of the output stage through an internal connection. This output is short-circuit protected.
Offset	Offset input. This input must be strapped to Reference₁ , unless user adjustment of bipolar offset is required.
Offset Adjust	This pin is for optional offset control. When connected to the Reference ₁ pin through a 1k Ω potentiometer, $\pm 150mV$ of adjustment range is guaranteed. Under this condition, the Offset pin should be connected to the Offset Adjust pin. When offset adjustment is not required, the Offset Adjust pin is left open. See Figure 4.
Digital Common	Digital common or ground. This separate ground carries currents from the digital portions of the output stage circuit. The best grounding practices require that digital common current does not flow in analog common connections. Both pins can be tied directly to a ground plane if available. Difference in potentials between the Common ₂ and Digital Common pins can be $\pm 1V$. See Figure 2.
V_{OUT}	Signal output. Because the isolation amplifier has unity gain, the output signal is ideally identical to the input signal. The output is low impedance and is short-circuit protected. This signal is referenced to Common ₂ ; subsequent circuitry should have a separate "sense" connection to Common ₁ , as well as V_{OUT} .
C ₁ , C ₂	Capacitors for small signal bandwidth control. These pins connect to the internal rolloff frequency controlling nodes of the output low-pass filter. Additional capacitance added to these pins will modify the bandwidth of the buffer. C ₂ is always twice the value of C ₁ . See "Bandwidth Control" performance curve for the relationship between bandwidth and C ₁ and C ₂ . When no connections are made to these pins, the full small-signal bandwidth is maintained. Be sure to shield C ₁ and C ₂ pins from high electric fields on the PC board. This preserves AC isolation-mode rejection by reducing capacitive coupling effects.

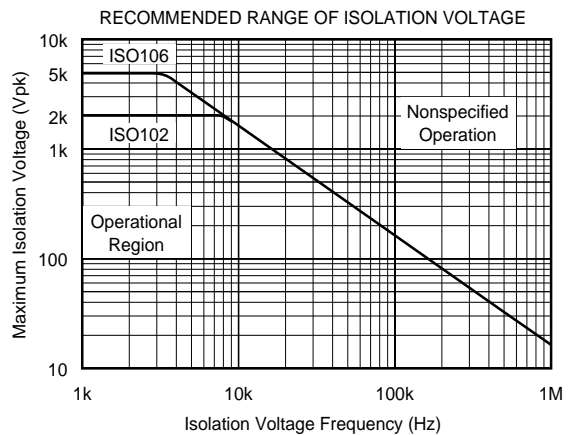
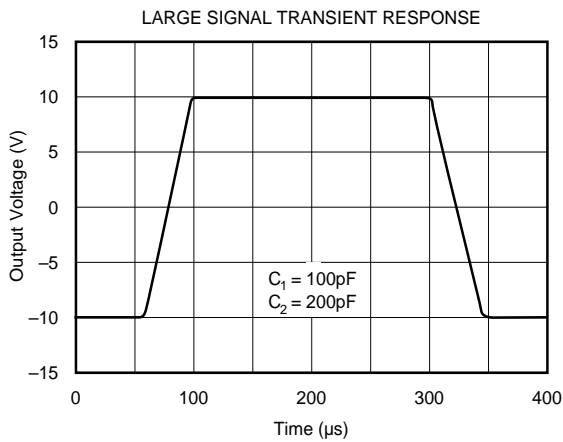
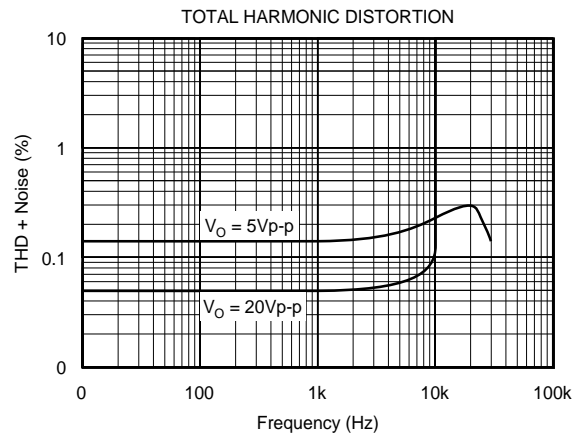
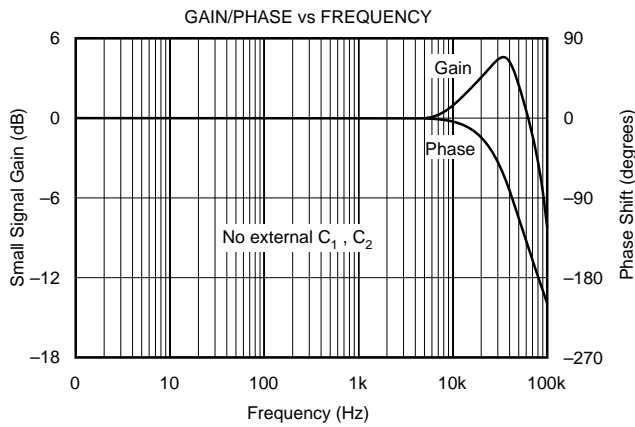
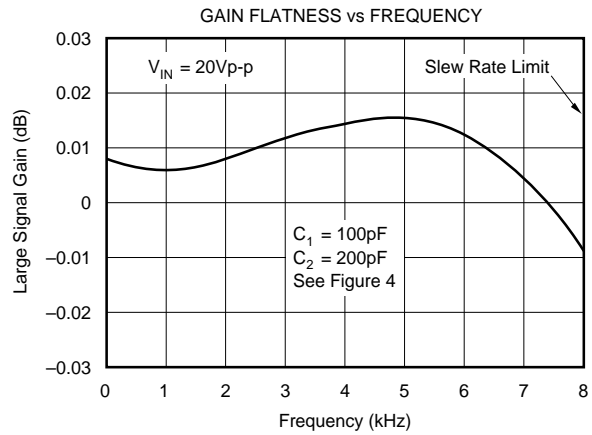
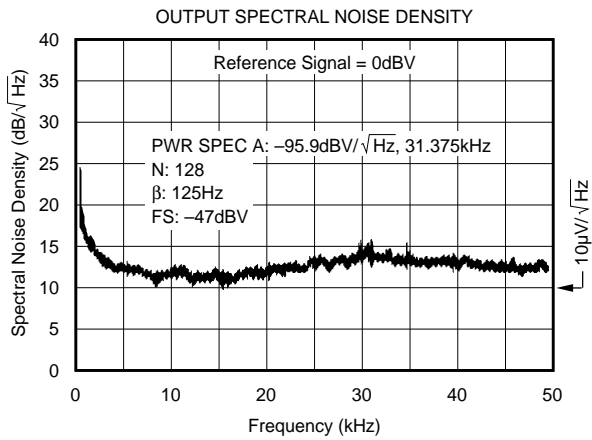
TYPICAL PERFORMANCE CURVES

$T_A = +25^\circ\text{C}$, $V_{CC} = \pm 15\text{VDC}$ unless otherwise noted.



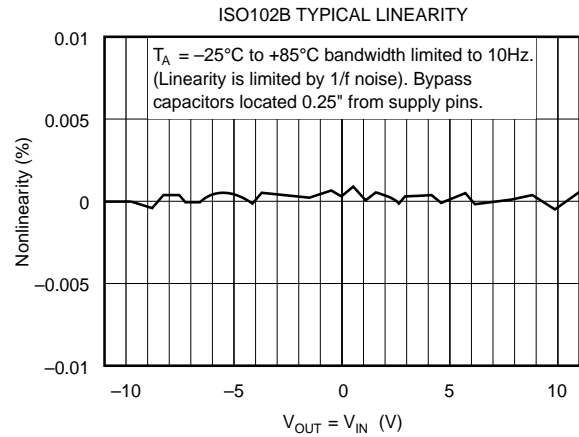
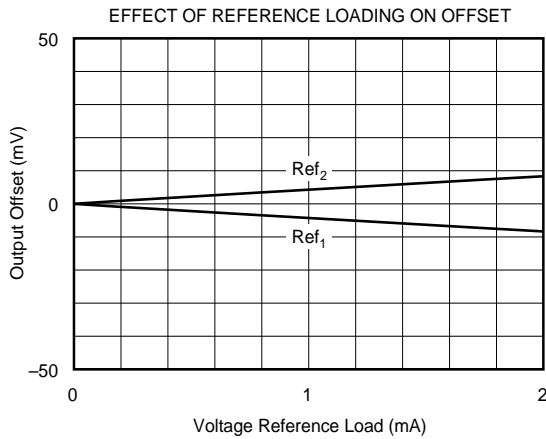
TYPICAL PERFORMANCE CURVES (CONT)

$T_A = +25^\circ\text{C}$, $V_{CC} = \pm 15\text{VDC}$ unless otherwise noted.



TYPICAL PERFORMANCE CURVES (CONT)

$T_A = +25^\circ\text{C}$, $V_{CC} = \pm 15\text{VDC}$ unless otherwise noted.



THEORY OF OPERATION

The ISO102 and ISO106 have no galvanic connection between the input and output. The analog input signal referenced to the input common is accurately duplicated at the output referenced to the output common. Because the barrier information is digital, potentials between the two commons can assume a wide range of voltages and frequencies without influencing the output signal. Signal information remains undisturbed until the slew rate of the barrier voltage exceeds $100\text{V}/\mu\text{s}$. The isolation amplifier's ability to reject fast dV/dt changes between the two grounds is specified as transient immunity. The amplifier is protected from damage for slew rates up to $100,000\text{V}/\mu\text{s}$.

A simplified diagram of the ISO102 and ISO106 is shown in Figure 1. The design consists of an input voltage-controlled oscillator (VCO) also known as a voltage-to-frequency converter (VFC), differential capacitors, and output phase lock loop (PLL). The input VCO drives digital levels directly into the two 3pF barrier capacitors. The digital signal is frequency modulated and appears differentially across the barrier, while the externally applied isolation voltage appears common-mode.

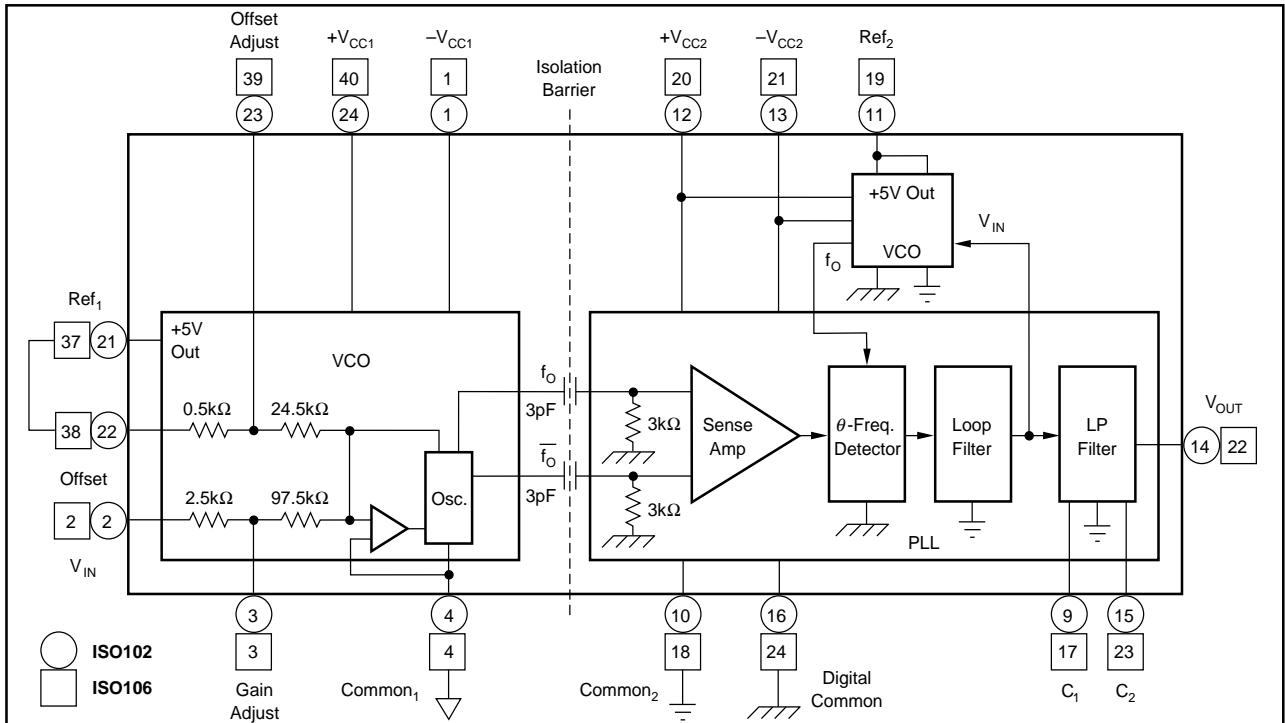


FIGURE 1. Simplified Diagram of ISO102 and ISO106.

A sense amplifier detects only the differential information. The output stage decodes the frequency modulated signal by the means of a PLL. The feedback of the PLL employs a second VCO that is identical to the encoder VCO. The PLL forces the second VCO to operate at the same frequency (and phase) as the encoder VCO; therefore, the two VCOs have the same input voltage. The input voltage of the decoder VCO serves as the isolation buffer's output signal after passing through a 100kHz second-order active filter.

For a more detailed description of the internal operation of the ISO102 and ISO106, refer to *Proceedings of the 1987 International Symposium on Microelectronics*, pages 202-206.

ABOUT THE BARRIER

For any isolation product, barrier composition is of paramount importance in achieving high reliability. Both the ISO102 and ISO106 utilize two 3pF high voltage ceramic coupling capacitors. They are constructed of tungsten thick film deposited in a spiral pattern on a ceramic substrate. Capacitor plates are buried in the package, making the barrier very rugged and hermetically sealed. Capacitance results from the fringing electric fields of adjacent metal runs. Dielectric strength exceeds 10kV and resistance is typically $10^{14}\Omega$. Input and output circuitry are contained in separate solder-sealed cavities, resulting in the industry's first fully hermetic hybrid isolation amplifier.

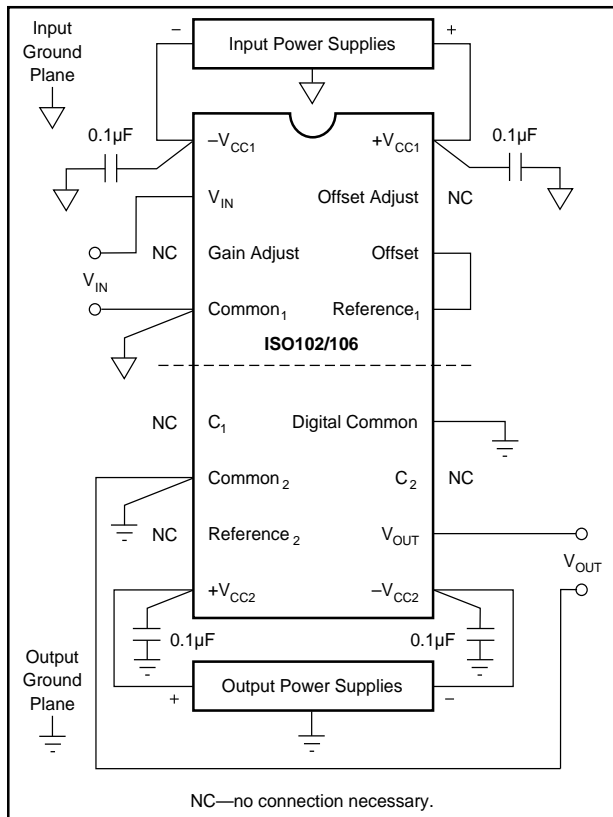


FIGURE 2. Power Supply and Signal Connection.

The ISO102 and ISO106 are designed to be free from partial discharge at rated voltages. Partial discharge is a form of localized breakdown that degrades the barrier over time. Since it does not bridge the space across the barrier, it is difficult to detect. Both isolation amplifiers have been extensively evaluated at high temperature and high voltage.

POWER SUPPLY AND SIGNAL CONNECTIONS

Figure 2 shows the proper power supply and signal connections. Each supply should be AC-bypassed to Analog Common with 0.1µF ceramic capacitors as close to the amplifier as possible. Short leads will minimize lead inductance. A ground plane will also reduce noise problems. Signal common lines should tie directly to the common pin even if a low impedance ground plane is used. Refer to Digital Common in the Pin Descriptions table.

To avoid gain and isolation-mode rejection (IMR) errors introduced by the external circuit, connect grounds as indicated, being sure to minimize ground resistance. Any capacitance across the barrier will increase AC leakage current and may degrade high frequency IMR. The schematic in Figure 3 shows the proper technique for wiring analog and digital commons together.

DISCUSSION OF SPECIFICATIONS

The ISO102 and ISO106 are unity gain buffer isolation amplifiers primarily intended for high level input voltages on the order of 1V to 10V. They may be preceded by operational, differential, or instrumentation amplifiers that precondition a low level signal on the order of millivolts and translate it to a high level.

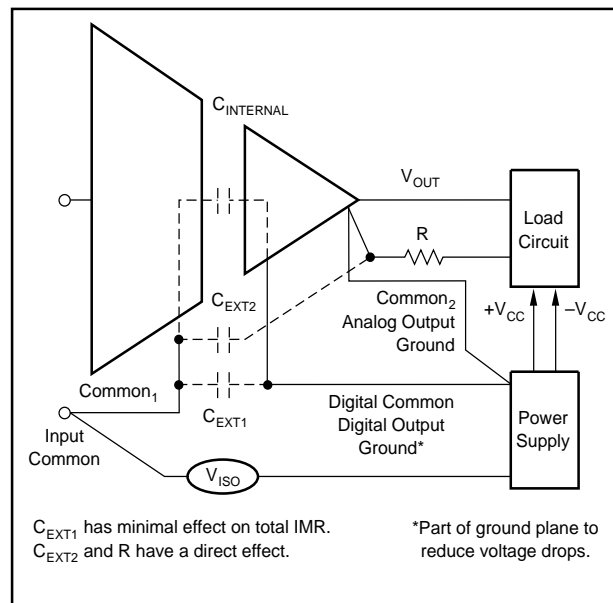


FIGURE 3. Technique for Wiring Analog and Digital Commons Together.

ISOLATION-MODE REJECTION

The ISO102 and ISO106 provide exceptionally high isolation-mode rejection over a wide range of isolation-mode voltages and frequencies. The typical performance curves should be used to insure operation within the recommended range. The maximum barrier voltage allowed decreases as the frequency of the voltage increases. As with all isolation amplifiers, a change of voltage across the barrier will induce leakage current across the barrier. In the case of the ISO102 and ISO106, there exists a threshold of leakage current through the signal capacitors that can cause over-drive of the decoder's sense amplifier. This occurs when the slew rate of the isolation voltage reaches $100\text{V}/\mu\text{s}$. The output will recover in about $50\mu\text{s}$ from transients exceeding $100\text{V}/\mu\text{s}$.

The first two performance curves indicate the expected isolation-mode rejection over a wide range of isolation voltage frequencies. Also plotted is the typical leakage current across the barrier at 240Vrms . The majority of the leakage current is between the input common pin and the output digital ground pin.

The ISO102 and ISO106 are intended to be continuously operated with fully rated isolation voltage and temperature without significant drift of gain and offset. See the "Gain Error/Offset Isolation Voltage" performance curve for changes in gain and offset with isolation voltage.

SUPPLY AND TEMPERATURE RANGE

The ISO102 and ISO106 are rated for $+15\text{V}$ supplies; however, they are guaranteed to operate from $\pm 10\text{V}$ to $\pm 20\text{V}$. Performance is also rated for an ambient temperature range of -25°C to $+85^\circ\text{C}$. For operation outside this temperature range, refer to the "Power Dissipation vs Temperature" performance curve to establish the maximum allowed supply voltage. Supply currents are fairly insensitive to changes in supply voltage or temperature. Therefore, the maximum current limits can be used in computing the maximum junction temperature under nonrated conditions.

OPTIONAL BANDWIDTH CONTROL

The following discussion relates optimum dynamic range performance to bandwidth, noise, and settling time.

The outputs of the ISO102 and ISO106 are the outputs of a second-order low-pass Butterworth filter. Its low impedance output is rated for $\pm 5\text{mA}$ drive and $\pm 12\text{V}$ range with $10,000\text{pF}$ loads. The closed-loop bandwidth of the PLL is 70kHz , while the output filter is internally set at 100kHz . The output filter lowers the residual voltage of the barrier FM signal to below the noise floor of the output signal.

Two pins are available for optional modification of the filter's bandwidth. Only two capacitors are required. The "Bandwidth Control" performance curve gives the value of C_1 (C_2 is equal to twice C_1) for the desired bandwidth. Figure 4 illustrates the optional connection of both capacitors.

A tradeoff can be achieved between the required signal bandwidth and system dynamic range. The noise floor of the output limits the dynamic range of the output signal. The

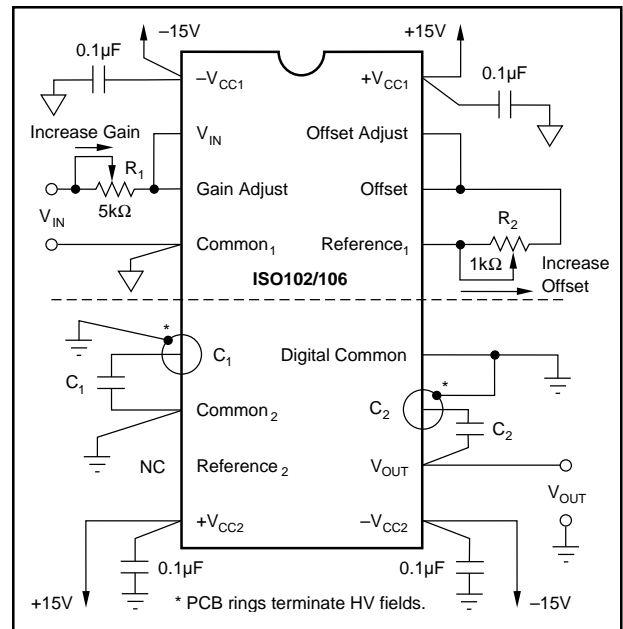


FIGURE 4. Optional Gain Adjust, Offset Adjust, and Bandwidth Control.

noise power varies with the square root of the bandwidth of the buffer. It is recommended that the bandwidth be reduced to about twice the maximum signal bandwidth for optimum dynamic range as shown in the "Dynamic Range vs Bandwidth" performance curve. The output spectral noise density measurement is displayed in the "Output Spectral Noise Density" performance curve. The noise is flat to within $5\text{dB}\sqrt{\text{Hz}}$ between 0.1Hz to 70kHz .

The overall AC gain of the buffer amplifiers is shown in two performance curves: "Gain Flatness vs Frequency" and "Gain/Phase vs Frequency." Note that with $C_1 = 100\text{pF}$ and $C_2 = 200\text{pF}$, the AC gain remains flat within $\pm 0.01\text{dB}$ up to 7kHz . The total harmonic distortion for large-signal sine wave outputs is plotted in the "Total Harmonic Distortion" performance curve. The phase-lock-loop displays slightly nonuniform rise and fall edges under maximum slew conditions. Reducing the output filter bandwidth to below 70kHz smooths the output signal and eliminates any overshoot. See the "Large Signal Transient Response" performance curve.

OPTIONAL OFFSET AND GAIN ADJUSTMENT

In many applications the factory-trimmed offset is adequate. For situations where reduced or modified gain and offset are required, adjustment of each is easy. The addition of two potentiometers as shown in Figure 4 provides for a two step calibration.

Offset should be adjusted first. Gain adjustment does not interfere with offset. The potentiometer's TCR adds only 2% to overall temperature drift. The offset and gain adjustment procedures are as follows:

1. Set V_{IN} to 0V and adjust R_1 to desired offset at the output.
2. Set V_{IN} to full scale (not zero). Adjust R_2 for desired gain.

PRINTED CIRCUIT BOARD LAYOUT

The distance across the isolation barrier, between external components, and conductor patterns, should be maximized to reduce leakage and arcing at high voltages. Good layout techniques that reduce stray capacitance will assure low leakage current and high AC IMR. For some applications, applying conformal coating compound such as urethane is useful in maintaining good performance. This is especially true where dirt, grease or moisture can collect on the PC board surface, component surface, or component pins. Following this industry-accepted practice will give best results, particularly when circuits are operated or tested in a moisture-condensing environment. Optimum coating can be achieved by administering urethane under vacuum conditions. This allows complete coverage of all areas. Grounded rings around the C₁ and C₂ contacts on the board greatly reduce high voltage electric fields at these pins.

APPLICATIONS

The ISO102 and ISO106 isolation amplifiers are used in three categories of applications:

1. accurate isolation of signals from high voltage ground potentials,
2. accurate isolation of signals from severe ground noise, and
3. fault protection from high voltages in analog measurement systems.

Figures 5 through 15 show a variety of application circuits. Additional discussion of applications can be found in the December 11, 1986 issue of *Electronic Design*, pages 91-96.

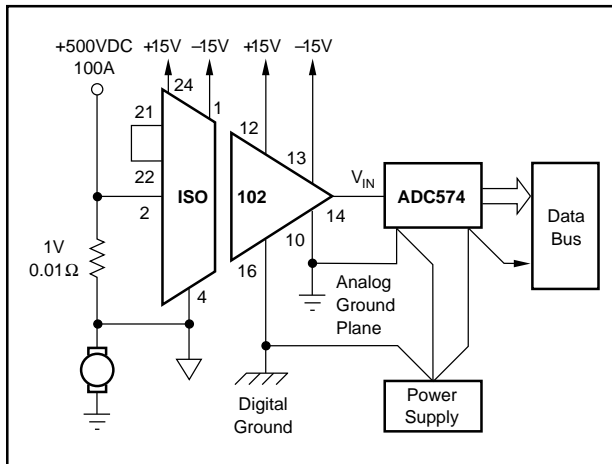


FIGURE 5. Isolated Power Current Monitor for Motor Circuit. (The ISO102 allows reliable, safe measurement at high voltages.)

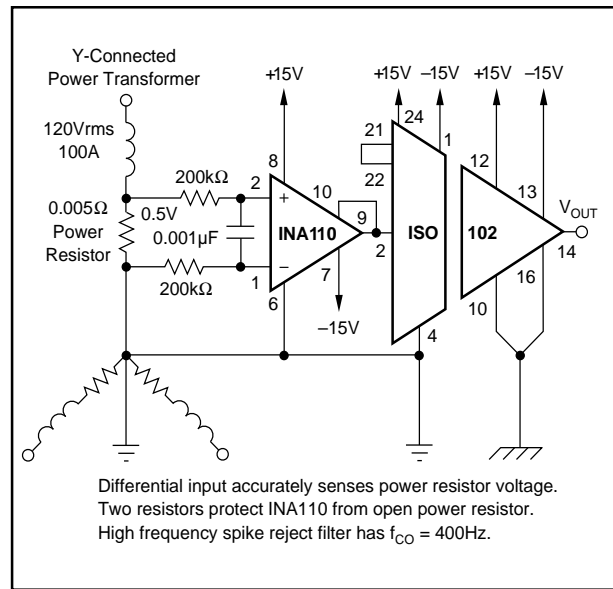


FIGURE 6. Isolated Power Line Monitor (0.5μA leakage current at 120Vrms).

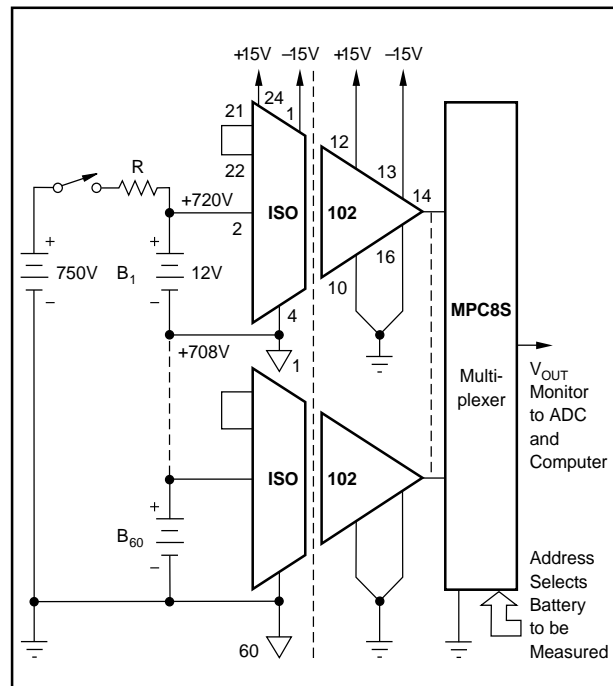


FIGURE 7. Battery Monitor for High Voltage Charging Circuit.

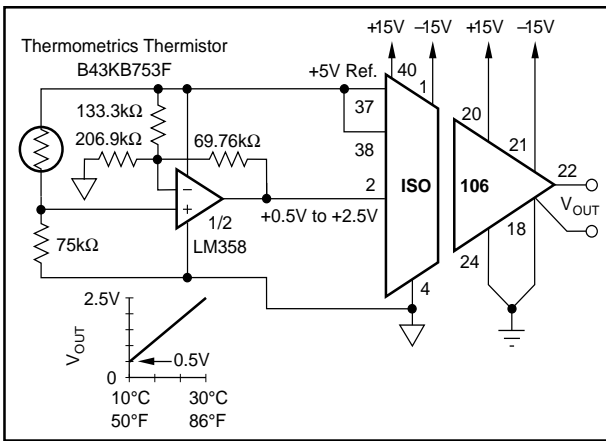


FIGURE 8. Isolated RTD Temperature Amplifier.

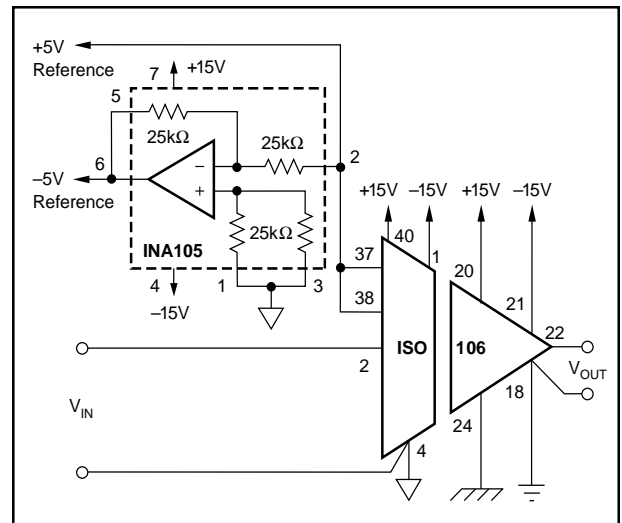


FIGURE 10. Isolation Amplifier with Isolated Bipolar Input Reference.

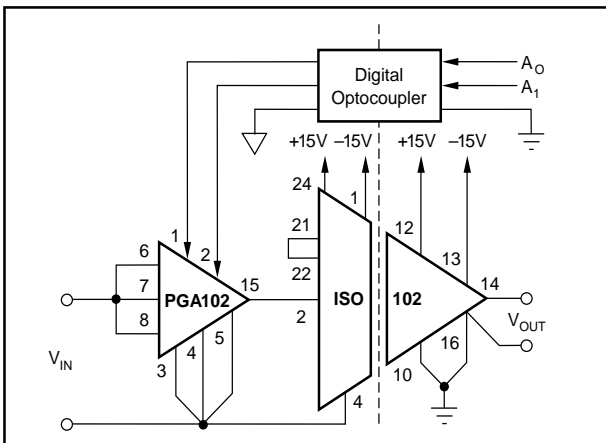


FIGURE 9. Programmable-Gain Isolation Channel with Gains of 1, 10, and 100.

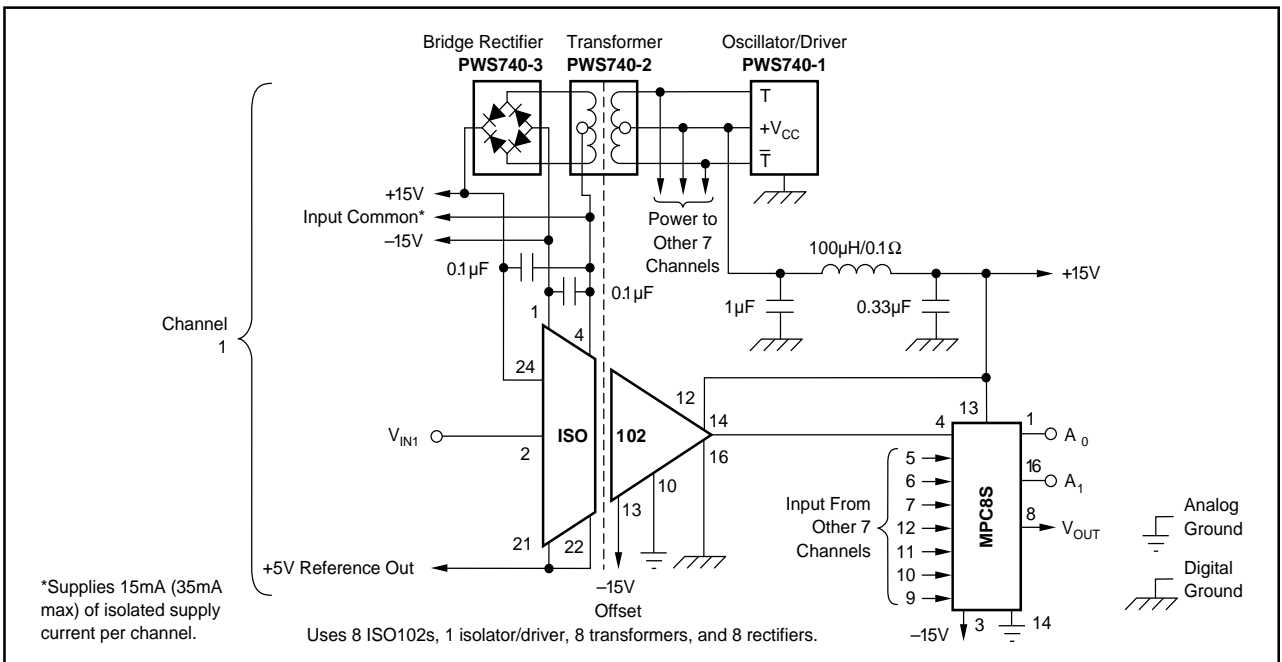


FIGURE 11. Low Cost Eight-Channel Isolation Amplifier Block with Channel-to-Channel Isolation.

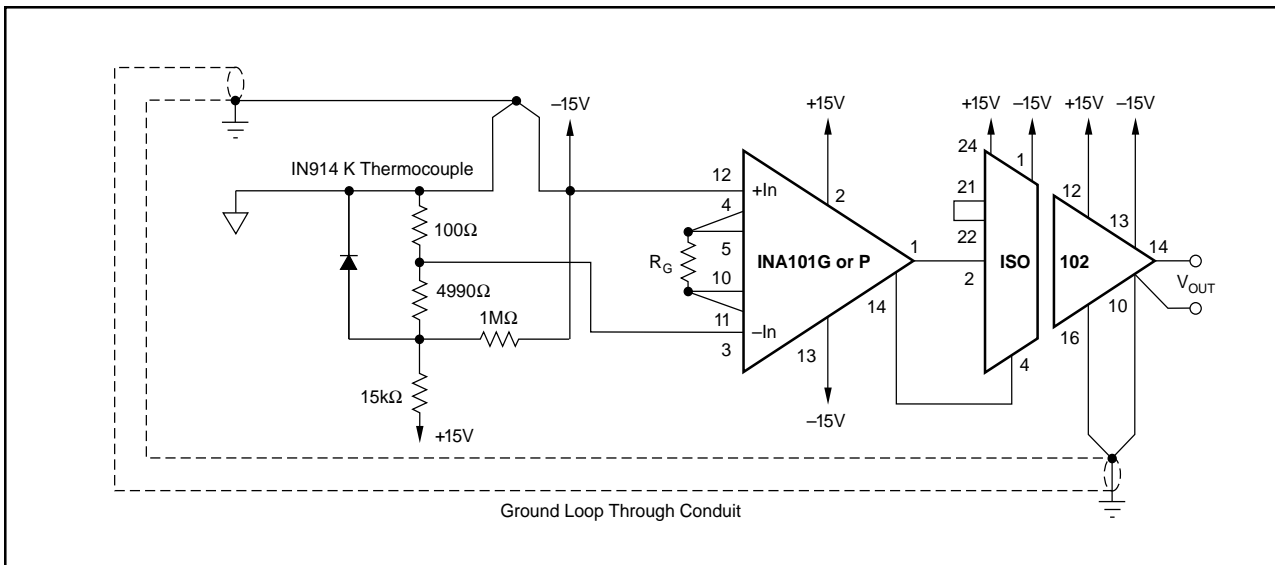


FIGURE 12. Thermocouple Amplifier with Ground Loop Elimination, Cold Junction Compensation, and Upscale Burn-out.

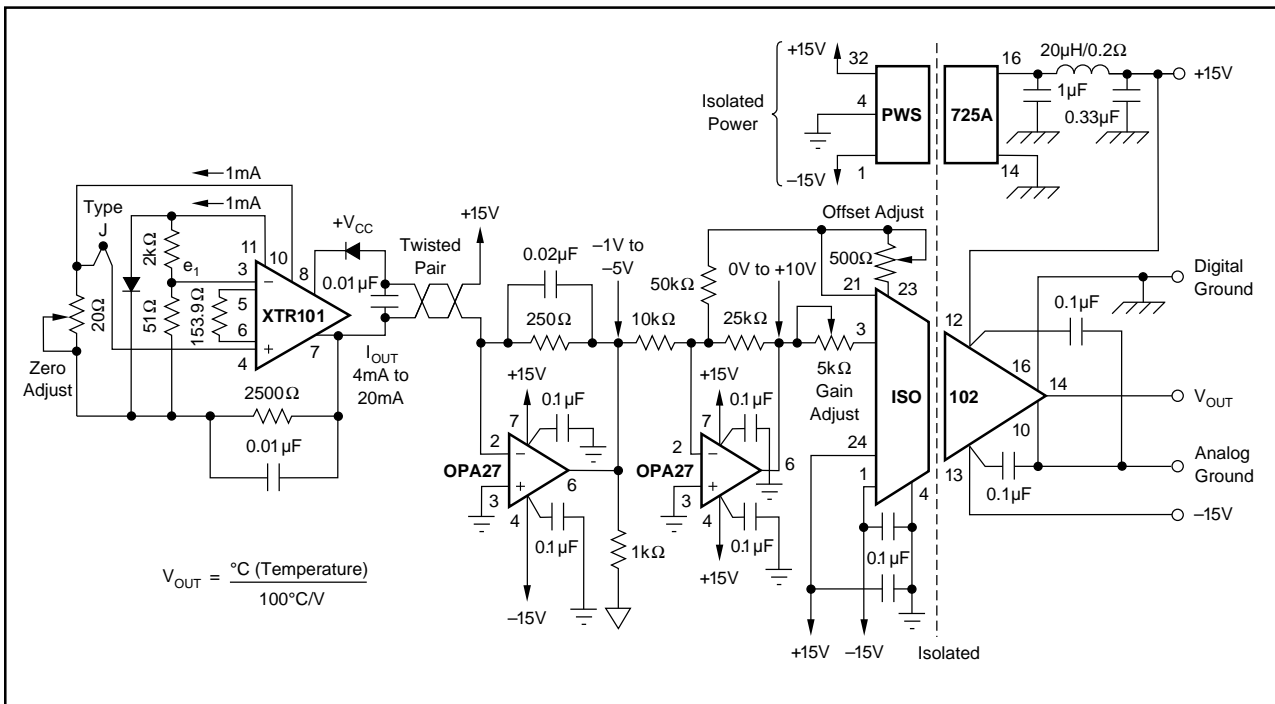


FIGURE 13. Remote Isolated Thermocouple Transmitter with Cold Junction Compensation.

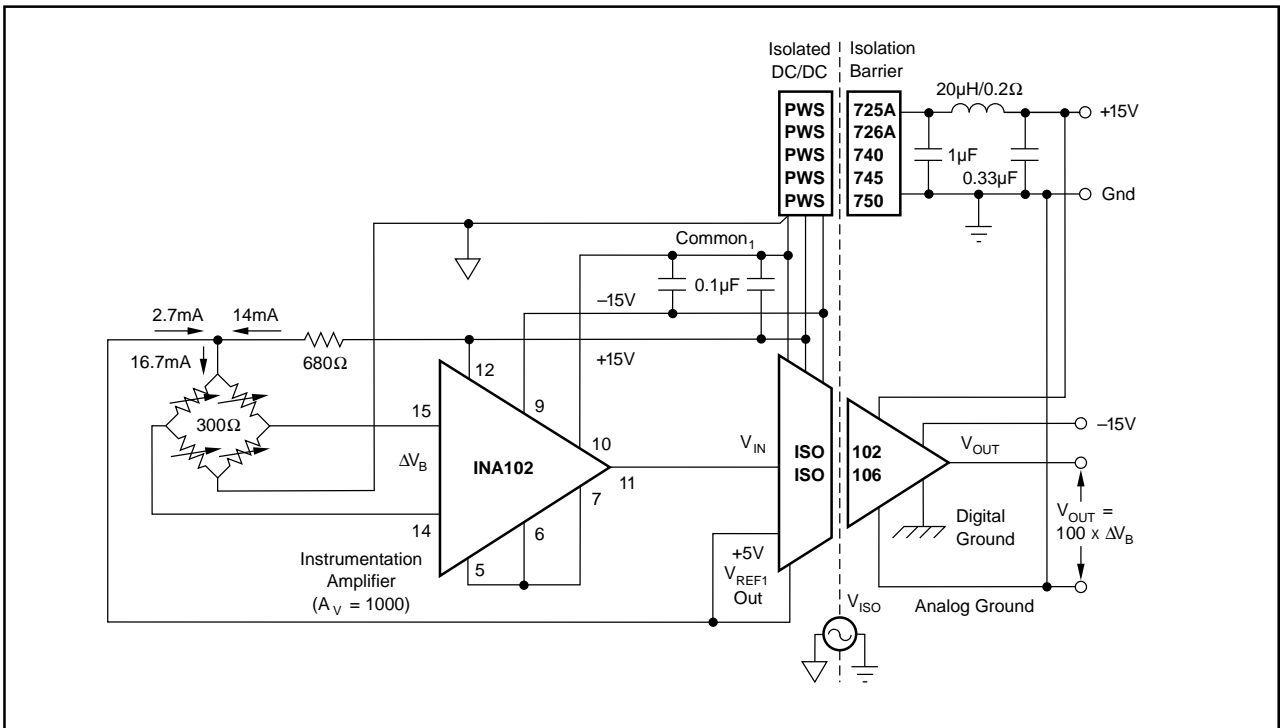


FIGURE 14. Isolated Instrumentation Amplifier for 300Ω Bridge. (Reference voltage from isolation amplifier is used to excite bridge.)

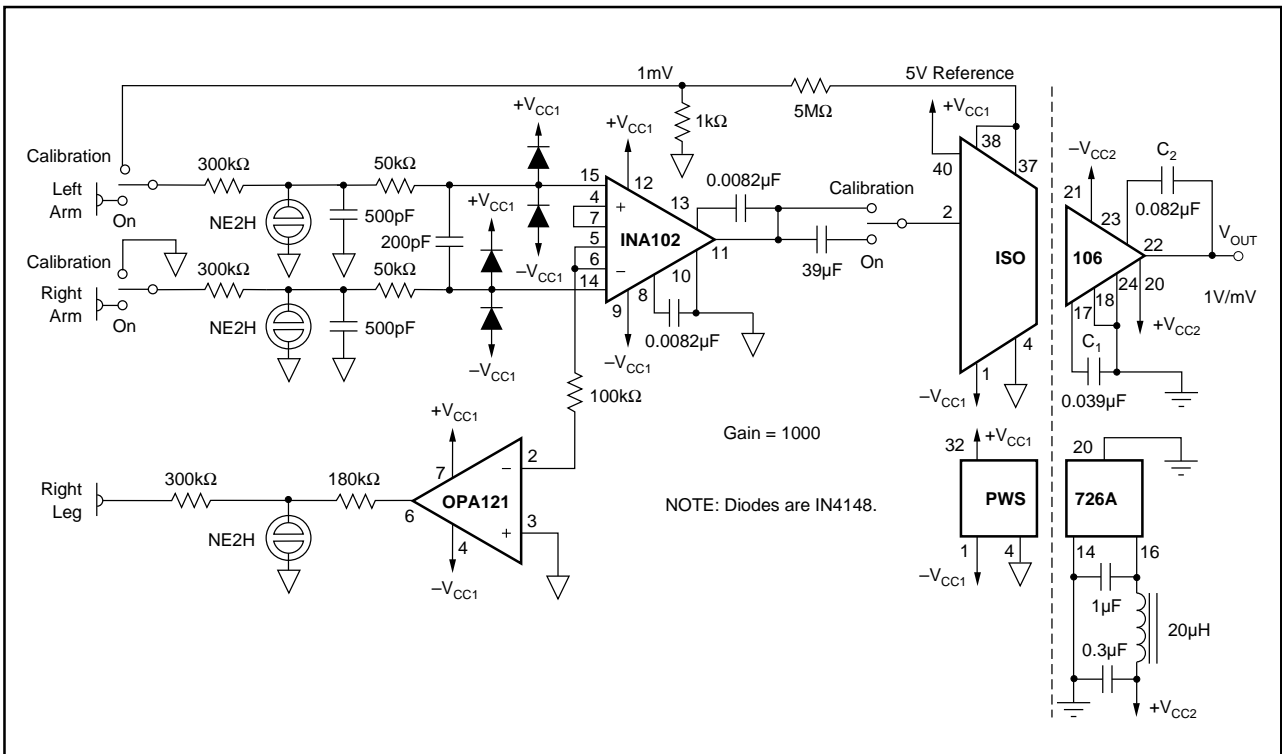


FIGURE 15. Right-Leg-Driven ECG Amplifier (with defibrillator protection and calibrator).

AN ERROR ANALYSIS OF THE ISO102 IN A SMALL SIGNAL MEASURING APPLICATION

High accuracy measurements of low-level signals in the presence of high isolation mode voltages can be difficult due to the errors of the isolation amplifiers themselves.

This error analysis shows that when a low drift operational amplifier is used to preamplify the low-level source signal, a low cost, simple and accurate solution is possible.

In the circuit shown in Figure 16, a 50mV shunt is used to measure the current in a 500VDC motor. The OPA27 amplifies the 50mV by 200 x to 10V full scale. The output of the OPA27 is fed to the input of the ISO102, which is a unity-gain isolation amplifier. The 5kΩ and 1kΩ potentiometers connected to the ISO102 are used to adjust the gain and offset errors to zero as described in Discussion of Specifications.

Some Observations

The total errors of the op amp and the ISO amp combined are approximately 0.11% of full-scale range (see Figure 17). If the op amp had not been used to preamplify the signal, the errors would have been 2.6% of FSR. Clearly, the small cost of adding the op amp buys a large performance improvement. Optimum performance, therefore, is obtained when the full ±10V range of the ISO102/106 is utilized.

The rms noise of the ISO102 with a 120Hz bandwidth is only 0.18mVrms, which is only 0.0018% of the 10V full scale output. Therefore, even though the 16μV/√Hz noise spectral density specification may appear large compared to other isolation amplifiers, it does not turn out to be a significant error term. It is worth noting that even if the bandwidth is increased to 10kHz, the noise of the iso amp would only contribute 0.016%FSR error.

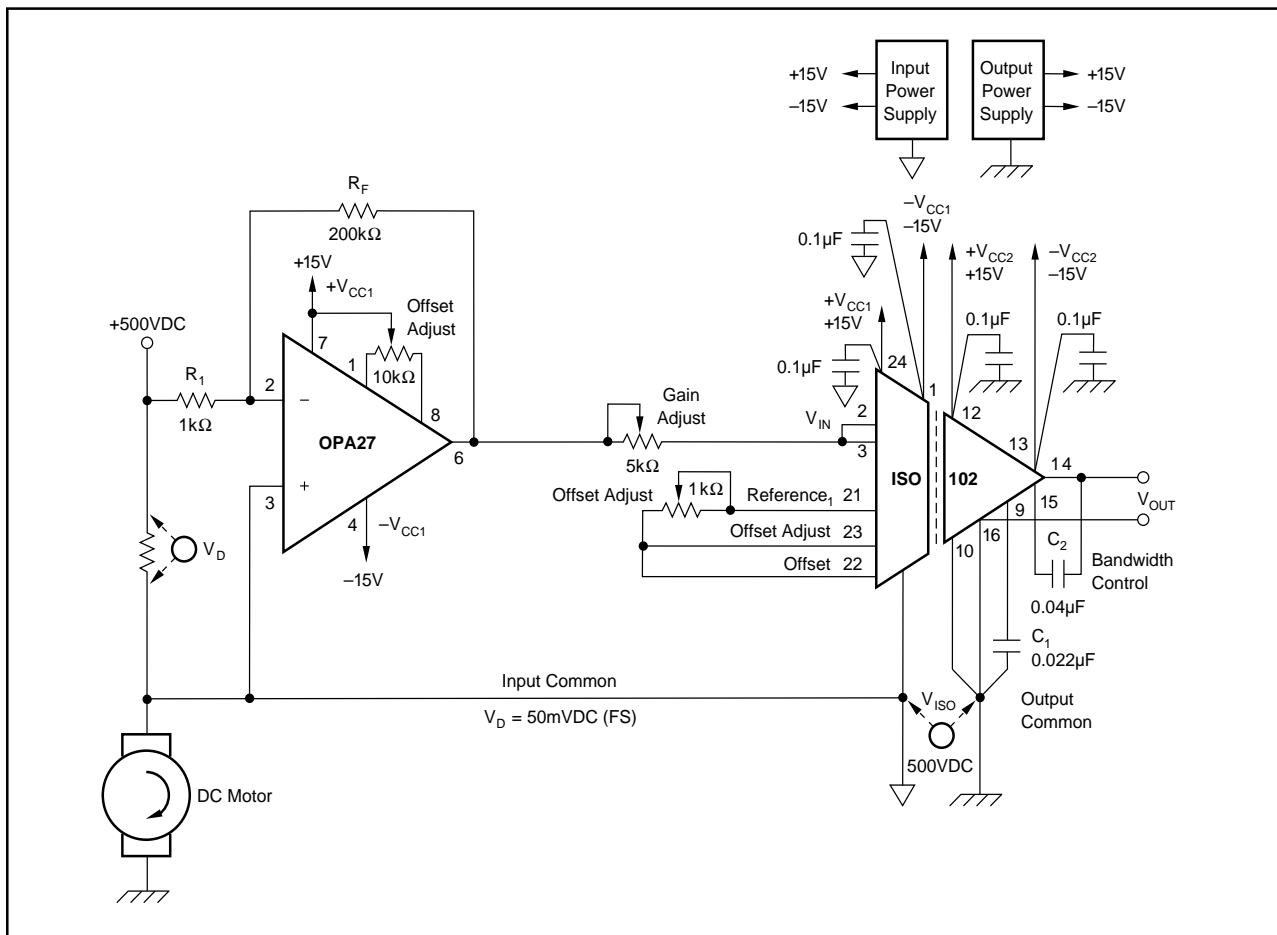


FIGURE 16. 50mV Shunt Measures Current in a 500VDC Motor.

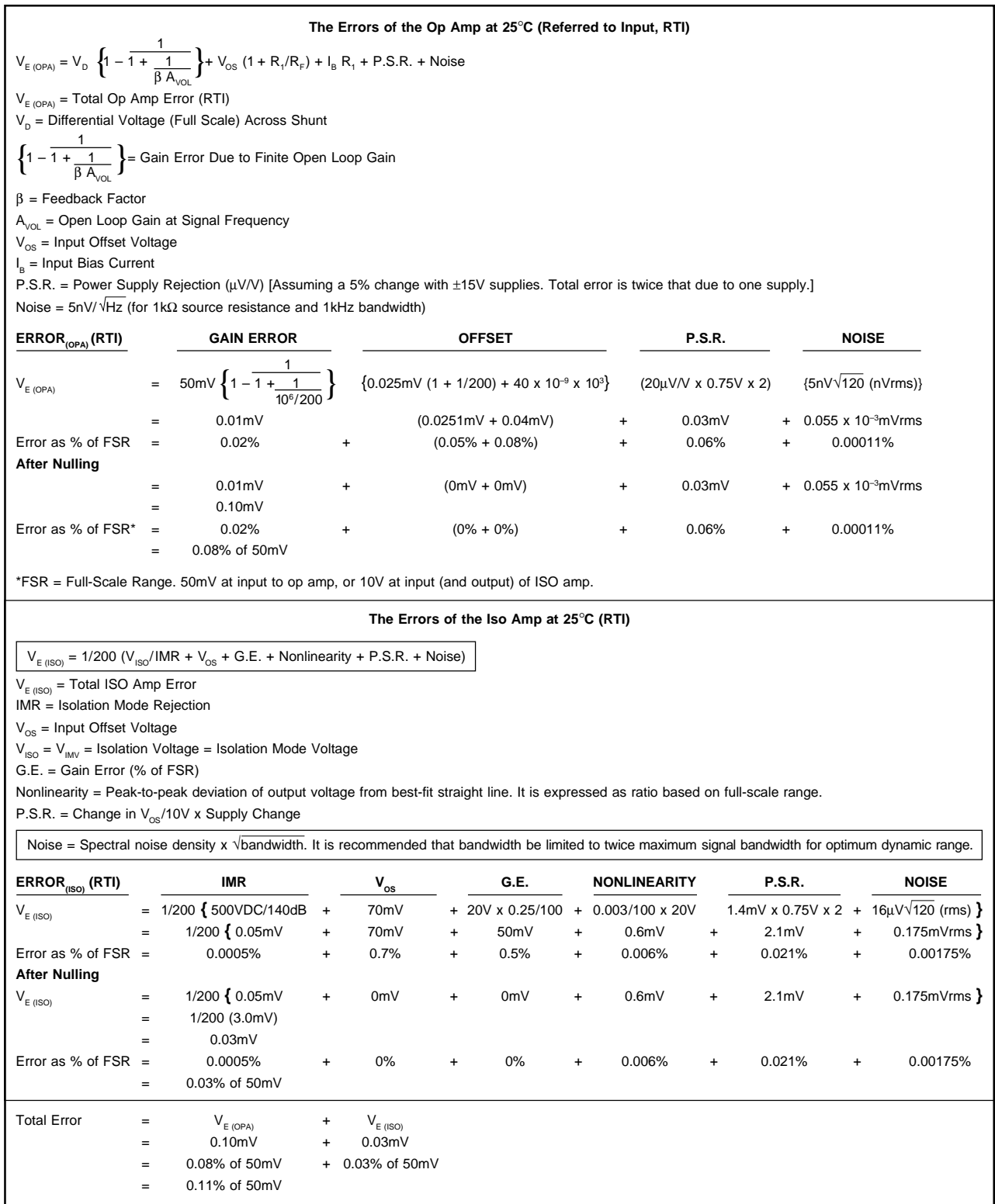


FIGURE 17. Op Amp and Iso Amp Error Analysis.

PACKAGING INFORMATION

Orderable Device	Status ⁽¹⁾	Package Type	Package Drawing	Pins	Package Qty	Eco Plan ⁽²⁾	Lead/Ball Finish	MSL Peak Temp ⁽³⁾
ISO102	NRND	CDIP SB	JVE	16	1	Green (RoHS & no Sb/Br)	AU	N / A for Pkg Type
ISO102B	NRND	CDIP SB	JVE	16	1	Green (RoHS & no Sb/Br)	AU	N / A for Pkg Type
ISO106	NRND	CDIP SB	JVD	16	1	Green (RoHS & no Sb/Br)	AU	N / A for Pkg Type
ISO106B	NRND	CDIP SB	JVD	16	1	Green (RoHS & no Sb/Br)	AU	N / A for Pkg Type

⁽¹⁾ The marketing status values are defined as follows:

ACTIVE: Product device recommended for new designs.

LIFEBUY: TI has announced that the device will be discontinued, and a lifetime-buy period is in effect.

NRND: Not recommended for new designs. Device is in production to support existing customers, but TI does not recommend using this part in a new design.

PREVIEW: Device has been announced but is not in production. Samples may or may not be available.

OBSOLETE: TI has discontinued the production of the device.

⁽²⁾ Eco Plan - The planned eco-friendly classification: Pb-Free (RoHS), Pb-Free (RoHS Exempt), or Green (RoHS & no Sb/Br) - please check <http://www.ti.com/productcontent> for the latest availability information and additional product content details.

TBD: The Pb-Free/Green conversion plan has not been defined.

Pb-Free (RoHS): TI's terms "Lead-Free" or "Pb-Free" mean semiconductor products that are compatible with the current RoHS requirements for all 6 substances, including the requirement that lead not exceed 0.1% by weight in homogeneous materials. Where designed to be soldered at high temperatures, TI Pb-Free products are suitable for use in specified lead-free processes.

Pb-Free (RoHS Exempt): This component has a RoHS exemption for either 1) lead-based flip-chip solder bumps used between the die and package, or 2) lead-based die adhesive used between the die and leadframe. The component is otherwise considered Pb-Free (RoHS compatible) as defined above.

Green (RoHS & no Sb/Br): TI defines "Green" to mean Pb-Free (RoHS compatible), and free of Bromine (Br) and Antimony (Sb) based flame retardants (Br or Sb do not exceed 0.1% by weight in homogeneous material)

⁽³⁾ MSL, Peak Temp. -- The Moisture Sensitivity Level rating according to the JEDEC industry standard classifications, and peak solder temperature.

Important Information and Disclaimer:The information provided on this page represents TI's knowledge and belief as of the date that it is provided. TI bases its knowledge and belief on information provided by third parties, and makes no representation or warranty as to the accuracy of such information. Efforts are underway to better integrate information from third parties. TI has taken and continues to take reasonable steps to provide representative and accurate information but may not have conducted destructive testing or chemical analysis on incoming materials and chemicals. TI and TI suppliers consider certain information to be proprietary, and thus CAS numbers and other limited information may not be available for release.

In no event shall TI's liability arising out of such information exceed the total purchase price of the TI part(s) at issue in this document sold by TI to Customer on an annual basis.

IMPORTANT NOTICE

Texas Instruments Incorporated and its subsidiaries (TI) reserve the right to make corrections, modifications, enhancements, improvements, and other changes to its products and services at any time and to discontinue any product or service without notice. Customers should obtain the latest relevant information before placing orders and should verify that such information is current and complete. All products are sold subject to TI's terms and conditions of sale supplied at the time of order acknowledgment.

TI warrants performance of its hardware products to the specifications applicable at the time of sale in accordance with TI's standard warranty. Testing and other quality control techniques are used to the extent TI deems necessary to support this warranty. Except where mandated by government requirements, testing of all parameters of each product is not necessarily performed.

TI assumes no liability for applications assistance or customer product design. Customers are responsible for their products and applications using TI components. To minimize the risks associated with customer products and applications, customers should provide adequate design and operating safeguards.

TI does not warrant or represent that any license, either express or implied, is granted under any TI patent right, copyright, mask work right, or other TI intellectual property right relating to any combination, machine, or process in which TI products or services are used. Information published by TI regarding third-party products or services does not constitute a license from TI to use such products or services or a warranty or endorsement thereof. Use of such information may require a license from a third party under the patents or other intellectual property of the third party, or a license from TI under the patents or other intellectual property of TI.

Reproduction of TI information in TI data books or data sheets is permissible only if reproduction is without alteration and is accompanied by all associated warranties, conditions, limitations, and notices. Reproduction of this information with alteration is an unfair and deceptive business practice. TI is not responsible or liable for such altered documentation. Information of third parties may be subject to additional restrictions.

Resale of TI products or services with statements different from or beyond the parameters stated by TI for that product or service voids all express and any implied warranties for the associated TI product or service and is an unfair and deceptive business practice. TI is not responsible or liable for any such statements.

TI products are not authorized for use in safety-critical applications (such as life support) where a failure of the TI product would reasonably be expected to cause severe personal injury or death, unless officers of the parties have executed an agreement specifically governing such use. Buyers represent that they have all necessary expertise in the safety and regulatory ramifications of their applications, and acknowledge and agree that they are solely responsible for all legal, regulatory and safety-related requirements concerning their products and any use of TI products in such safety-critical applications, notwithstanding any applications-related information or support that may be provided by TI. Further, Buyers must fully indemnify TI and its representatives against any damages arising out of the use of TI products in such safety-critical applications.

TI products are neither designed nor intended for use in military/aerospace applications or environments unless the TI products are specifically designated by TI as military-grade or "enhanced plastic." Only products designated by TI as military-grade meet military specifications. Buyers acknowledge and agree that any such use of TI products which TI has not designated as military-grade is solely at the Buyer's risk, and that they are solely responsible for compliance with all legal and regulatory requirements in connection with such use.

TI products are neither designed nor intended for use in automotive applications or environments unless the specific TI products are designated by TI as compliant with ISO/TS 16949 requirements. Buyers acknowledge and agree that, if they use any non-designated products in automotive applications, TI will not be responsible for any failure to meet such requirements.

Following are URLs where you can obtain information on other Texas Instruments products and application solutions:

Products

Amplifiers	amplifier.ti.com
Data Converters	dataconverter.ti.com
DLP® Products	www.dlp.com
DSP	dsp.ti.com
Clocks and Timers	www.ti.com/clocks
Interface	interface.ti.com
Logic	logic.ti.com
Power Mgmt	power.ti.com
Microcontrollers	microcontroller.ti.com
RFID	www.ti-rfid.com
RF/IF and ZigBee® Solutions	www.ti.com/lprf

Applications

Audio	www.ti.com/audio
Automotive	www.ti.com/automotive
Broadband	www.ti.com/broadband
Digital Control	www.ti.com/digitalcontrol
Medical	www.ti.com/medical
Military	www.ti.com/military
Optical Networking	www.ti.com/opticalnetwork
Security	www.ti.com/security
Telephony	www.ti.com/telephony
Video & Imaging	www.ti.com/video
Wireless	www.ti.com/wireless

Mailing Address: Texas Instruments, Post Office Box 655303, Dallas, Texas 75265
Copyright © 2009, Texas Instruments Incorporated