

# P2042A

## LCD Panel EMI Reduction IC

### Product Description

The P2042A is a versatile spread spectrum frequency modulator designed specifically for digital flat panel applications. The P2042A reduces electromagnetic interference (EMI) at the clock source, allowing system wide reduction of EMI of down stream clock and data dependent signals. The P2042A allows significant system cost savings by reducing the number of circuit board layers, ferrite beads, shielding, and other passive components that are traditionally required to pass EMI regulations.

The P2042A uses the most efficient and optimized modulation profile approved by the FCC and is implemented in a proprietary all digital method.

The P2042A modulates the output of a single PLL in order to “spread” the bandwidth of a synthesized clock, and more importantly, decreases the peak amplitudes of its harmonics. This results in significantly lower system EMI compared to the typical narrow band signal produced by oscillators and most frequency generators. Lowering EMI by increasing a signal’s bandwidth is called ‘spread spectrum clock generation’.

### Applications

The P2042A is targeted towards digital flat panel applications for notebook PCs, palm-size PCs, office automation equipments, and LCD monitors.

### Features

- FCC Approved Method of EMI Attenuation
- Provides up to 15 dB of EMI Suppression
- Generates a Low EMI Spread Spectrum Clock of the Input Frequency
- Input/Output Frequency Range: 30 MHz to 110 MHz
- Optimized for 32.5 MHz, 54 MHz, 65 MHz and 108 MHz Pixel Clock Frequencies
- Internal Loop Filter Minimizes External Components and Board Space
- Eight Selectable High Spread Ranges up to  $\pm 2\%$
- SSON# Control Pin for Spread Spectrum Enable and Disable Options
- Low Cycle-to-Cycle Jitter
- 3.3 V  $\pm$  0.3 V Operating Range
- Low Power CMOS Design
- Supports Most Mobile Graphic Accelerator and LCD Timing Controller Specifications
- Available in 8-pin TSSOP Package
- These are Pb-Free Devices



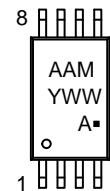
ON Semiconductor®

[www.onsemi.com](http://www.onsemi.com)



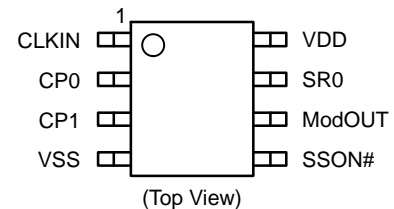
TSSOP-8  
T SUFFIX  
CASE 948J

### MARKING DIAGRAM



AAM = Specific Device Code  
Y = Year  
WW = Work Week  
A = Assembly Location  
▪ = Pb-Free Package

### PIN CONFIGURATION



### ORDERING INFORMATION

See detailed ordering and shipping information in the package dimensions section on page 4 of this data sheet.

# P2042A

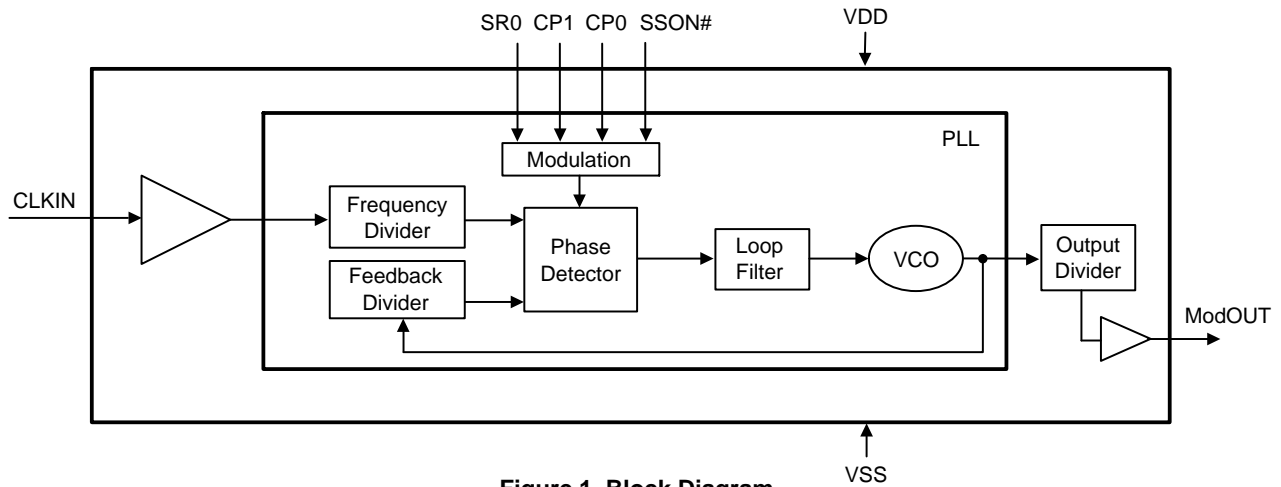


Figure 1. Block Diagram

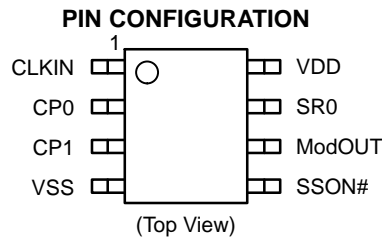


Table 1. PIN DESCRIPTION

Pin#	Pin Name	Type	Description
1	CLKIN	I	External reference frequency input. Connect to externally generated reference signal.
2	CP0	I	Digital logic input used to select Spreading Range. This pin has an internal pull-up resistor. Refer to <i>Modulation Selection Table</i> .
3	CP1	I	Digital logic input used to select Spreading Range. This pin has an internal pull-up resistor. Refer to <i>Modulation Selection Table</i> .
4	VSS	P	Ground to entire chip. Connect to system ground.
5	SSON#	I	Digital logic input used to enable Spread Spectrum function (Active LOW). Spread Spectrum function enabled when LOW, disabled when HIGH. This pin has an internal pull-low resistor.
6	ModOUT	O	Spread spectrum clock output.
7	SR0	I	Digital logic input used to select Spreading Range. This pin has an internal pull-up resistor. Refer to <i>Modulation Selection Table</i> .
8	VDD	P	Power supply for the entire chip

# P2042A

**Table 2. MODULATION SELECTION**

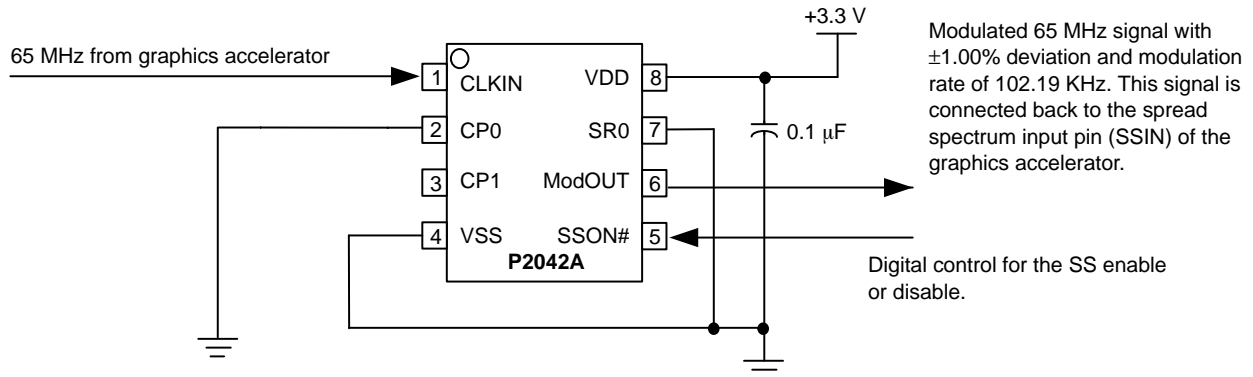
CP0	CP1	SR0	Spreading Range (±%)					Modulation Rate (KHz)
			32.5 MHz	54 MHz	65 MHz	81 MHz	108 MHz	
0	0	0	1.75	1.53	1.41	1.27	1.10	(FIN /40) * 62.89 KHz
0	0	1	1.89	1.70	1.55	1.40	1.20	
0	1	0	1.39	1.20	1.10	1.00	0.90	
0	1	1	2.10	1.85	1.70	1.55	1.35	
1	0	0	0.74	0.60	0.57	0.52	0.45	
1	0	1	1.10	0.93	0.86	0.77	0.68	
1	1	0	0.32	0.30	0.28	0.26	0.23	
1	1	1	0.58	0.50	0.45	0.40	0.36	

### Spread Spectrum Selection

The *Modulation Selection* Table 2 defines the possible spread spectrum options. The optimal setting should minimize system EMI to the fullest without affecting system performance. The spreading is described as a percentage deviation of the center frequency. (Note: The center frequency is the frequency of the external reference input on CLKIN, pin1).

For example, P2042A is designed for high-resolution, flat panel applications and is able to support an XGA (1024 x

768) flat panel operating at 65 MHz (FIN) clock speed. A spreading selection of CP0 = 0, CP1 = 1 and SR0 = 0 provides a percentage deviation of  $\pm 1.00\%$  from  $F_{IN}$ . This results in the frequency on ModOUT being swept from 65.65 to 64.35 MHz at a modulation rate of 102.19 KHz. Refer to *Modulation Selection* Table 2. The example in the following illustration is a common EMI reduction method for a notebook LCD panel and has already been implemented by most of the leading OEM and mobile graphic accelerator manufacturers.



**Figure 2. Application Schematic for Mobile LCD Graphics Controllers**

# P2042A

**Table 3. ABSOLUTE MAXIMUM RATINGS**

Symbol	Parameter	Rating	Unit
VDD, VIN	Voltage on any pin with respect to Ground	-0.5 to +4.6	V
TSTG	Storage Temperature Range	-65 to +125	°C
TA	Operating Temperature Range	0 to +85	°C
Tsol	Wave Solder	265	°C
TJ	Junction Temperature	150	°C
θJC	Thermal Resistance (Junction-to-Case)	125	°C/W
TDV	Static Discharge Voltage (As per JEDEC STD22- A114-B)	2	KV

Stresses exceeding those listed in the Maximum Ratings table may damage the device. If any of these limits are exceeded, device functionality should not be assumed, damage may occur and reliability may be affected.

**Table 4. DC ELECTRICAL CHARACTERISTICS** (TA = 0°C to +85°C)

Symbol	Parameter	Min	Typ	Max	Unit
VIL	Input low voltage	VSS-0.3		0.8	V
VIH	Input high voltage	2.0		VDD+0.3	V
IIL	Input low current (pull-up resistor on inputs CP0, CP1 and SR0)			-50	μA
IIH	Input high current (pull-down resistor on input SSON#)			50	μA
VOL	Output low voltage (VDD = 3.3 V, IOL = 8 mA)			0.4	V
VOH	Output high voltage (VDD = 3.3 V, IOL = 8 mA)	2.5			V
IDD	Static supply current standby mode (CLKIN pulled LOW)			300	μA
ICC	Dynamic supply current (3.3 V and 10 pF loading)	6.0	15	22	mA
VDD	Operating voltage	3.0	3.3	3.6	V
tON	Power-up time (first locked cycle after power up)			3.0	ms
ZOUT	Clock output impedance		35		Ω

Product parametric performance is indicated in the Electrical Characteristics for the listed test conditions, unless otherwise noted. Product performance may not be indicated by the Electrical Characteristics if operated under different conditions.

**Table 5. AC ELECTRICAL CHARACTERISTICS** (TA = 0°C to +85°C)

Symbol	Parameter	Min	Typ	Max	Unit
fIN	Input frequency	30	74	110	MHz
fOUT	Output frequency	30	74	110	MHz
tLH (Note 1)	Output rise time (measured at 0.8 V to 2.0 V)	1.1	1.5	2.0	ns
tHL (Note 1)	Output fall time (measured at 2.0 V to 0.8 V)	0.8	1.2	1.8	ns
tJC	Jitter (cycle-to-cycle)	<50 MHz ≥50 MHz		±250 ±200	ps
tD	Output duty cycle	45	50	55	%

1. tLH and tHL are measured into a capacitive load of 10 pF.

**Table 6. ORDERING INFORMATION**

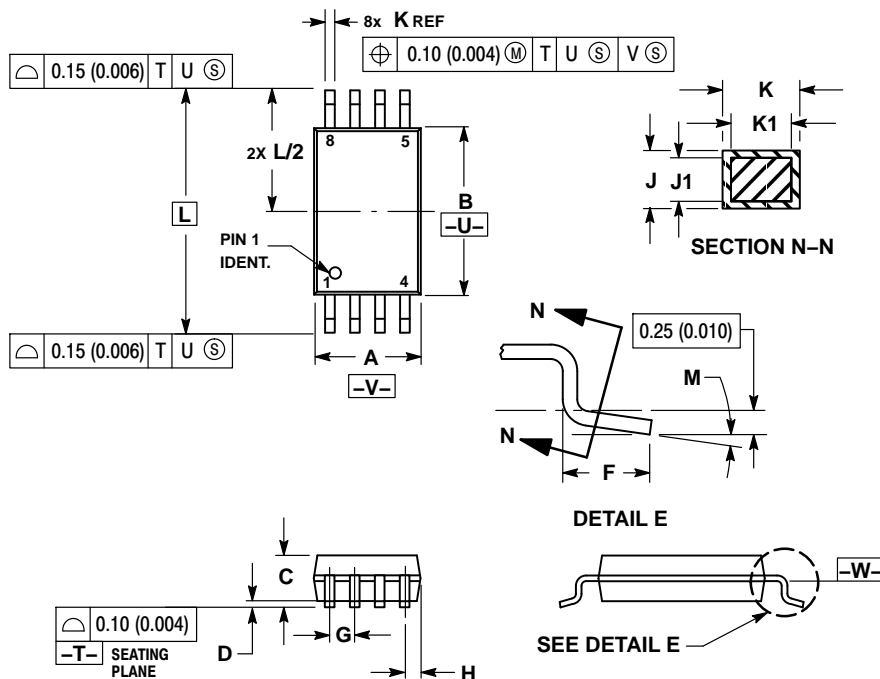
Part Number	Marking	Temperature	Package	Shipping†
P2042AF-08TR	AAM	0°C to +85°C	TSSOP-8 (Pb-Free)	2500 / Tape & Reel

†For information on tape and reel specifications, including part orientation and tape sizes, please refer to our Tape and Reel Packaging Specifications Brochure, BRD8011/D.

# P2042A

## PACKAGE DIMENSIONS

TSSOP8  
CASE 948J  
ISSUE A



### NOTES:

1. DIMENSIONING AND TOLERANCING PER ANSI Y14.5M, 1982.
2. CONTROLLING DIMENSION: MILLIMETER.
3. DIMENSION A DOES NOT INCLUDE MOLD FLASH, PROTRUSIONS OR GATE BURRS. MOLD FLASH OR GATE BURRS SHALL NOT EXCEED 0.15 (0.006) PER SIDE.
4. DIMENSION B DOES NOT INCLUDE INTERLEAD FLASH OR PROTRUSION. INTERLEAD FLASH OR PROTRUSION SHALL NOT EXCEED 0.25 (0.010) PER SIDE.
5. DIMENSION K DOES NOT INCLUDE DAMBAR PROTRUSION. ALLOWABLE DAMBAR PROTRUSION SHALL BE 0.08 (0.003) TOTAL IN EXCESS OF THE K DIMENSION AT MAXIMUM MATERIAL CONDITION.
6. TERMINAL NUMBERS ARE SHOWN FOR REFERENCE ONLY.
7. DIMENSION A AND B ARE TO BE DETERMINED AT DATUM PLANE -W-.

DIM	MILLIMETERS		INCHES	
	MIN	MAX	MIN	MAX
A	2.90	3.10	0.114	0.122
B	4.30	4.50	0.169	0.177
C	---	1.20	---	0.047
D	0.05	0.15	0.002	0.006
F	0.50	0.75	0.020	0.030
G	0.65 BSC		0.026 BSC	
H	0.50	0.60	0.020	0.024
J	0.09	0.20	0.004	0.008
J1	0.09	0.16	0.004	0.006
K	0.19	0.30	0.007	0.012
K1	0.19	0.25	0.007	0.010
L	6.40 BSC		0.252 BSC	
M	0°	8°	0°	8°

ON Semiconductor and the are registered trademarks of Semiconductor Components Industries, LLC (SCILLC) or its subsidiaries in the United States and/or other countries. SCILLC owns the rights to a number of patents, trademarks, copyrights, trade secrets, and other intellectual property. A listing of SCILLC's product/patent coverage may be accessed at [www.onsemi.com/site/pdf/Patent-Marking.pdf](http://www.onsemi.com/site/pdf/Patent-Marking.pdf). SCILLC reserves the right to make changes without further notice to any products herein. SCILLC makes no warranty, representation or guarantee regarding the suitability of its products for any particular purpose, nor does SCILLC assume any liability arising out of the application or use of any product or circuit, and specifically disclaims any and all liability, including without limitation special, consequential or incidental damages. "Typical" parameters which may be provided in SCILLC data sheets and/or specifications can and do vary in different applications and actual performance may vary over time. All operating parameters, including "Typicals" must be validated for each customer application by customer's technical experts. SCILLC does not convey any license under its patent rights nor the rights of others. SCILLC products are not designed, intended, or authorized for use as components in systems intended for surgical implant into the body, or other applications intended to support or sustain life, or for any other application in which the failure of the SCILLC product could create a situation where personal injury or death may occur. Should Buyer purchase or use SCILLC products for any such unintended or unauthorized application, Buyer shall indemnify and hold SCILLC and its officers, employees, subsidiaries, affiliates, and distributors harmless against all claims, costs, damages, and expenses, and reasonable attorney fees arising out of, directly or indirectly, any claim of personal injury or death associated with such unintended or unauthorized use, even if such claim alleges that SCILLC was negligent regarding the design or manufacture of the part. SCILLC is an Equal Opportunity/Affirmative Action Employer. This literature is subject to all applicable copyright laws and is not for resale in any manner.

### PUBLICATION ORDERING INFORMATION

#### LITERATURE FULFILLMENT:

Literature Distribution Center for ON Semiconductor  
P.O. Box 5163, Denver, Colorado 80217 USA  
Phone: 303-675-2175 or 800-344-3860 Toll Free USA/Canada  
Fax: 303-675-2176 or 800-344-3867 Toll Free USA/Canada  
Email: [orderlit@onsemi.com](mailto:orderlit@onsemi.com)

**N. American Technical Support:** 800-282-9855 Toll Free USA/Canada  
**Europe, Middle East and Africa Technical Support:** Phone: 421 33 790 2910  
**Japan Customer Focus Center** Phone: 81-3-5817-1050

**ON Semiconductor Website:** [www.onsemi.com](http://www.onsemi.com)

**Order Literature:** <http://www.onsemi.com/orderlit>

For additional information, please contact your local Sales Representative