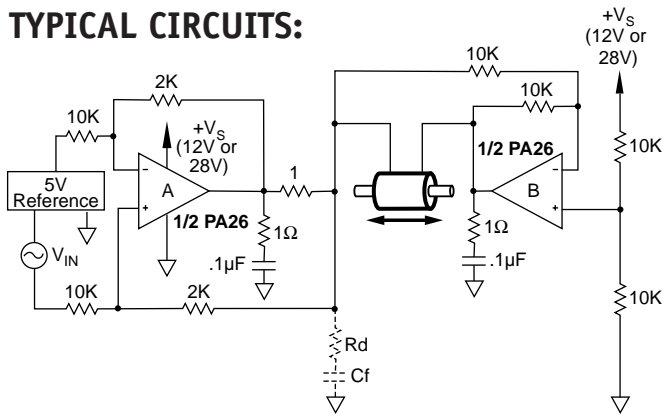
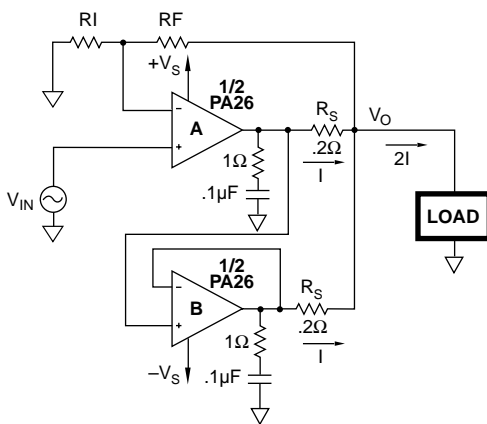


PA21/25/26 DESIGN IDEAS

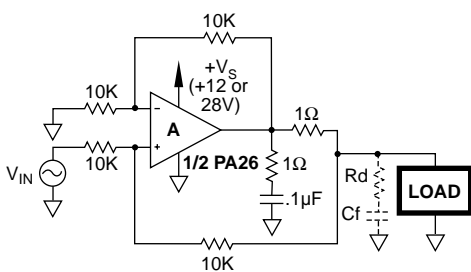
TYPICAL CIRCUITS:



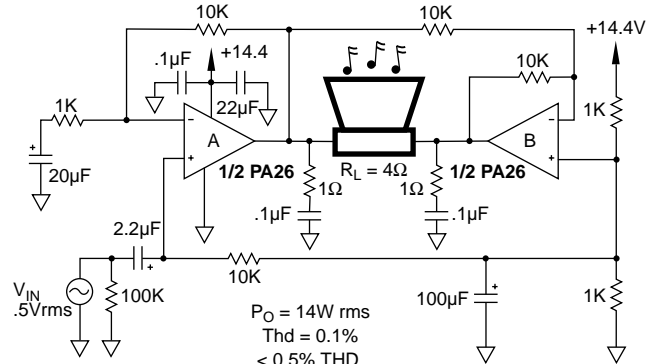
CURRENT CONTROL SOLENOID OR LINEAR ACTUATOR DRIVE
±200mA/V current output



PARALLEL CONNECTION
yields single 6A amplifier

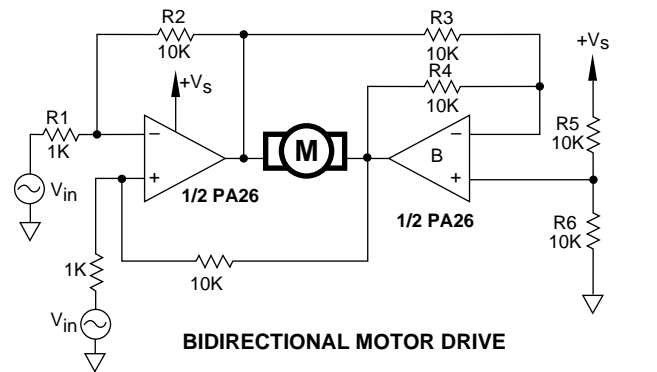


DUAL UNIPOLAR SOLENOID DRIVER
1A/V current output

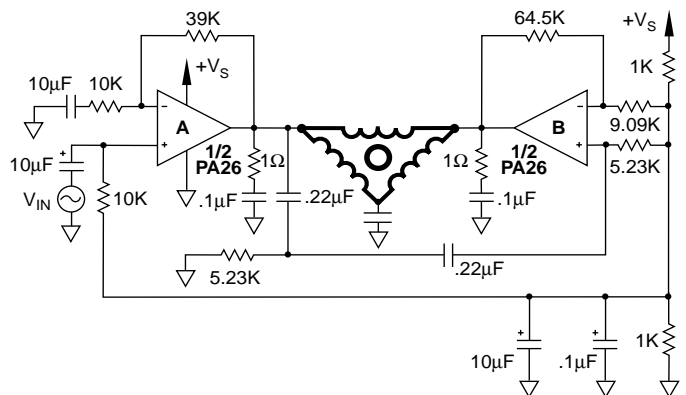


AUDIO BRIDGE

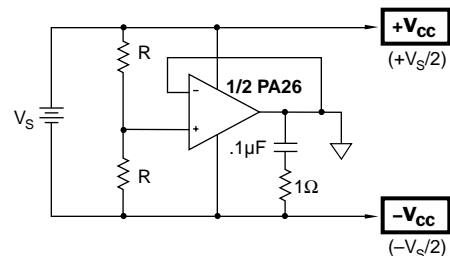
$P_O = 14W$ rms
Thd = 0.1%
< 0.5% THD
Pbw = 20Hz - 20kHz



BIDIRECTIONAL MOTOR DRIVE



60Hz 3 PHASE MOTOR DRIVE
Single Supply



ARTIFICIAL GROUND (SUPPLY SPLITTER)