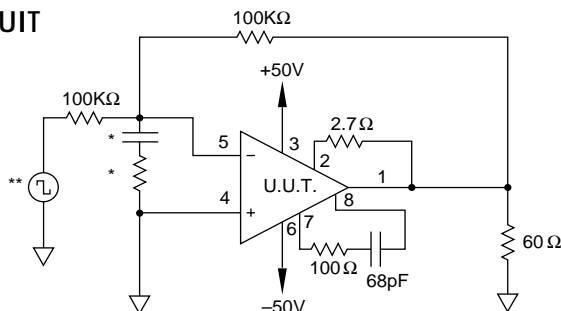


PA88M

SG	PARAMETER***	SYMBOL	TEMP.	POWER	TEST CONDITIONS	MIN	MAX	UNITS
1	Quiescent current	I_Q	25°C	±150V	$V_{IN} = 0, A_V = 100$		2	mA
1	Input offset voltage	V_{OS}	25°C	±15V	$V_{IN} = 0, A_V = 100$		±4	mV
1	Input offset voltage	V_{OS}	25°C	±150V	$V_{IN} = 0, A_V = 100$		±2	mV
1	Input bias current, +IN	$+I_B$	25°C	±150V	$V_{IN} = 0$		±50	pA
1	Input bias current, -IN	$-I_B$	25°C	±150V	$V_{IN} = 0$		±50	pA
1	Input offset current	I_{OS}	25°C	±150V	$V_{IN} = 0$		±100	pA
3	Quiescent current	I_Q	-55°C	±150V	$V_{IN} = 0, A_V = 100$		2.3	mA
3	Input offset voltage	V_{OS}	-55°C	±15V	$V_{IN} = 0, A_V = 100$		±6.4	mV
3	Input offset voltage	V_{OS}	-55°C	±150V	$V_{IN} = 0, A_V = 100$		±4.4	mV
3	Input bias current, +IN	$+I_B$	-55°C	±150V	$V_{IN} = 0$		±50	pA
3	Input bias current, -IN	$-I_B$	-55°C	±150V	$V_{IN} = 0$		±50	pA
3	Input offset current	I_{OS}	-55°C	±150V	$V_{IN} = 0$		±50	pA
2	Quiescent current	I_Q	125°C	±150V	$V_{IN} = 0, A_V = 100$		2.3	mA
2	Input offset voltage	V_{OS}	125°C	±15V	$V_{IN} = 0, A_V = 100$		±7	mV
2	Input offset voltage	V_{OS}	125°C	±150V	$V_{IN} = 0, A_V = 100$		±5	mV
2	Input bias current, +IN	$+I_B$	125°C	±150V	$V_{IN} = 0$		±10	nA
2	Input bias current, -IN	$-I_B$	125°C	±150V	$V_{IN} = 0$		±10	nA
2	Input offset current	I_{OS}	125°C	±150V	$V_{IN} = 0$		±10	nA
4	Output voltage, $I_o = 100mA$	V_O	25°C	±32V	$R_L = 200\Omega$	20		V
4	Output voltage, $I_o = 70mA$	V_O	25°C	±150V	$R_L = 2K\Omega$	140		V
4	Output voltage, $I_o = 20mA$	V_O	25°C	±48V	$R_L = 2K\Omega$	40		V
4	Current limits	I_{CL}	25°C	±50V	$R_{CL} = 10\Omega, R_L = 200\Omega$	50	84	mA
4	Stability/noise	E_N	25°C	±150V	$C_C = 68pF, R_C = 100\Omega, A_V = +1, C_L = 470pF$		1	mV
4	Slew rate	SR	25°C	±150V	$R_L = 2K\Omega, A_V = 100, C_C = OPEN$	15		V/ μ s
4	Open loop gain	A_{OL}	25°C	±150V	$R_L = 2K\Omega, F = 15Hz, C_C = OPEN$	96		dB
4	Common-mode rejection	CMR	25°C	±150V	$F = DC, V_{CM} = \pm 90V$	90		dB
6	Output voltage, $I_o = 100mA$	V_O	-55°C	±32V	$R_L = 200\Omega$	20		V
6	Output voltage, $I_o = 70mA$	V_O	-55°C	±150V	$R_L = 2K\Omega$	140		V
6	Output voltage, $I_o = 20mA$	V_O	-55°C	±48V	$R_L = 2K\Omega$	40		V
6	Stability/noise	E_N	-55°C	±150V	$C_C = 68pF, R_C = 100\Omega, A_V = +1, C_L = 470pF$		1	mV
6	Slew rate	SR	-55°C	±150V	$R_L = 2K\Omega, A_V = 100, C_C = OPEN$	15		V/ μ s
6	Open loop gain	A_{OL}	-55°C	±150V	$R_L = 2K\Omega, F = 15Hz, C_C = OPEN$	96		dB
6	Common-mode rejection	CMR	-55°C	±150V	$F = DC, V_{CM} = \pm 90V$	90		dB
5	Output voltage, $I_o = 75mA$	V_O	125°C	±29V	$R_L = 200\Omega$	15		V
5	Output voltage, $I_o = 37mA$	V_O	125°C	±83V	$R_L = 2K\Omega$	74		V
5	Output voltage, $I_o = 10mA$	V_O	125°C	±28V	$R_L = 2K\Omega$	20		V
5	Stability/noise	E_N	125°C	±150V	$C_C = 68pF, R_C = 100\Omega, A_V = +1, C_L = 470pF$		1	mV
5	Slew rate	SR	125°C	±150V	$R_L = 2K\Omega, A_V = 100, C_C = OPEN$	15		V/ μ s
5	Open loop gain	A_{OL}	125°C	±150V	$R_L = 2K\Omega, F = 15Hz, C_C = OPEN$	96		dB
5	Common-mode rejection	CMR	125°C	±150V	$F = DC, V_{CM} = \pm 90V$	90		dB

BURN IN CIRCUIT



* These components are used to stabilize device due to poor high frequency characteristics of burn in board.

** Input signals are calculated to result in internal power dissipation of approximately 2.1W at case temperature = 125°C.

*** An additional test is performed manually at $T_C = 25^\circ C$ which stresses power supply, common mode range and output swing to $\pm 225V$ (450V total).