

PBR 520 03/1

LPM Line Protection Module

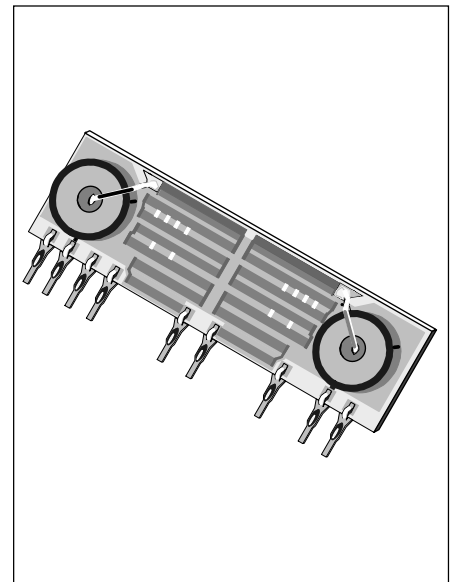
Description

The Line Protection Module (LPM) PBR 520 03/1 consists of a ratio matched line resistor pair including thermistors (PTC's) on a ceramic substrate. PBR 520 03/1 is used in telephone line interface overvoltage protection networks, where the LPM resistors limit the current flow through voltage clamping devices such as diodes, tranzorbs or other transient suppressors.

The resistors will withstand multiple voltage/current surges of either polarity without failure and with only a negligible change inside specified values. If exposed to power cross conditions, the PTC's will switch and decrease the current or act as a fuse depending on the applied condition. When the conditions are back to normal and the LPM (substrate or PTC) has not fused, the resistor will resume values close to the initial. The PBR 520 03/1 consists of non-organic materials and meets requirements according to ITU-T K17/K20 and UL 1459.

Key Features

- Two matched resistors in a single-in-line package
- Ratio match maintained after multiple surges
- Ratio match maintained after multiple non-destructive power cross
- Resettable fuse function for non-destructive power cross
- Fuse function for destructive power cross
- Non-flammable materials
- Auto insertable
- Low mechanical profile
- PTC protects the line resistors
- Does not significantly decrease in resistor value during fast surge voltage conditions



Line Protection Module PBR 520 03/1.

Absolute Maximum Ratings

$T_{amb} = +25 \pm 2 \text{ }^\circ\text{C}$ unless otherwise stated.

Parameter	Symbol	Min.	Max.	Unit
Temperature				
Storage temperature range	T_{stg}	-40	+125	$^\circ\text{C}$
Operating temperature range	T_{amb}	0	+70	$^\circ\text{C}$
Power Dissipation, $T_{amb} = +70 \text{ }^\circ\text{C}$				
Per resistor	P_{diss}		1	W
Per component	P_{diss}		2	W
Surge Voltage 10/700 μs, 1500 V (open circuit) (note 1, 2, 3)				
Change in resistance after 10 surges (CM, DM)	$\Delta R1, \Delta R2$	-3	+3	%
Change in ratio (matching) after 10 surges (CM, DM)	$\Delta(R1/R2)$	-3	+3	%
Power Induction 600 VAC, 600 Ω (note 1, 3)				
Duration of Voltage	t_{on}		1.0	s
Change in resistance after 60 pulses (CM) (pause between pulses 60 s)	$\Delta R1, \Delta R2$	-3	+3	%
Change in ratio (matching) after 60 pulses (CM)	$\Delta(R1/R2)$	-3	+3	%
Power Contact 220 VAC, 600 Ω (note 1, 3)				
Duration of Voltage	t_{on}		15	min
Change in resistance after 1 pulse (CM)	$\Delta R1, R2$	-3	+3	%
Change in ratio (matching) after 1 pulse (CM)	$\Delta(R1/R2)$	-3	+3	%
Power Contact 220 VAC, $\leq 60 \Omega$ (note 1)				
Duration of Voltage	t_{on}		1.0	s
Change in resistance after 5 pulses (CM)	$\Delta R1, \Delta R2$	-3	+3	%
Change in ratio (matching) after 5 pulses (CM)	$\Delta(R1/R2)$	-3	+3	%
Power Contact 220 VAC Destructive, $\leq 10 \Omega$ (note 1, 3, 4)				
Duration of Voltage (CM)	t_{on}		15	min

Electrical Characteristics

$T_{amb} = +25 \pm 2 \text{ }^\circ\text{C}$ unless otherwise stated.

Parameter	Condition(s)	Min.	Typical	Max.	Unit
Resistance/Ratio					
Resistor R1, R2		49	50	51	Ω
Ratio R1/R2		0.98	1.0	1.02	-
R1, R2: Resistance vs Temperature	$T_{amb} = 0 \text{ to } +70 \text{ }^\circ\text{C}$	45		60	Ω
Tracking R1 - R2	$T_{amb} = 0 \text{ to } +70 \text{ }^\circ\text{C}$	0.98	1.00	1.02	-
Switched value					
Resistance at switched condition of PTC	$U = 100 \text{ VDC}$	3	4	6	$\text{k}\Omega$
Insulation					
Insulation R1 - R2	$U = 500 \text{ VDC}$			1000	$\text{M}\Omega$

Notes

Note 1: Common Mode (CM) and Differential Mode (DM) are applied if stated. DM equals R1 or R2 tested, CM equals R1 and R2 simultaneously

Note 2: Surge voltage shape measured according to IEC 60-2, section 4. Surge voltage, peak voltage, shape and schematics according to ITU-T rec. K17.

Note 3: Reference: ITU-T K20

Note 4: For the test, the requirements are:

- The line resistor is not to start to burn with open flame
- No induction of fire of the surroundings

Pin Description

Figure 1: Circuit diagram Pin 1 is the leftmost pin on the side with the PTC's. Pin 2 and 13 are named a and b and equals the outgoing line. This is the recommended use of the LPM.

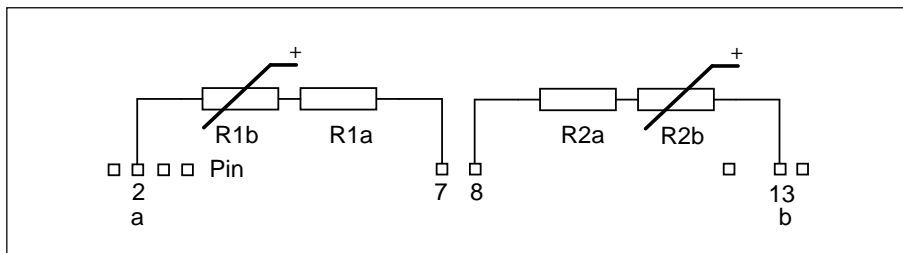


Figure 1. Circuit diagram.

Functional Description

General

The Line Protection Module consists of two thickfilm resistors screen-printed onto a ceramic substrate. The PTC acts as a resettable fuse for non-destructive power cross conditions. The PTC switches and is high ohmic as long as the high voltage condition lasts. When the overvoltage is removed and the LPM (substrate or PTC) has not fused, the resistor values will return to values close to the initial. For destructive power cross, the LPM will break open (either the substrate or the PTC). It is also designed to fulfil surge voltage

requirements according to ITU-T K17/ K20. Pin 2 and 13 are recommended as outgoing line ("a" and "b") due to the short flash over distance between pin 7 and 8.

High voltage characteristics

For high voltages, i.e. surge voltage and power cross test, the resistance of the LPM is typically 45 ohms.

Switch characteristics

The LPM's switch characteristics are according to diagram 1. Common Mode (CM) and Differential Mode (DM) are applied if stated. DM equals R1 or R2 tested, CM equals R1 and R2 tested

simultaneously. Max. temperature is 130 °C (max. temperature of the PTC). For currents above, the substrate will break-open. The recovery time; i.e. the time until the LPM returns within stated values (see page 2), is less than 12 hours. For CM, the ratio will be 'better' than stated in page 2 because both PTC's are switched.

Note: In DM, the LPM will not switch both the "a"- and "b" branch open; i.e. if the voltage is applied to "a", only R1 will switch within stated time. See also diagram 1.

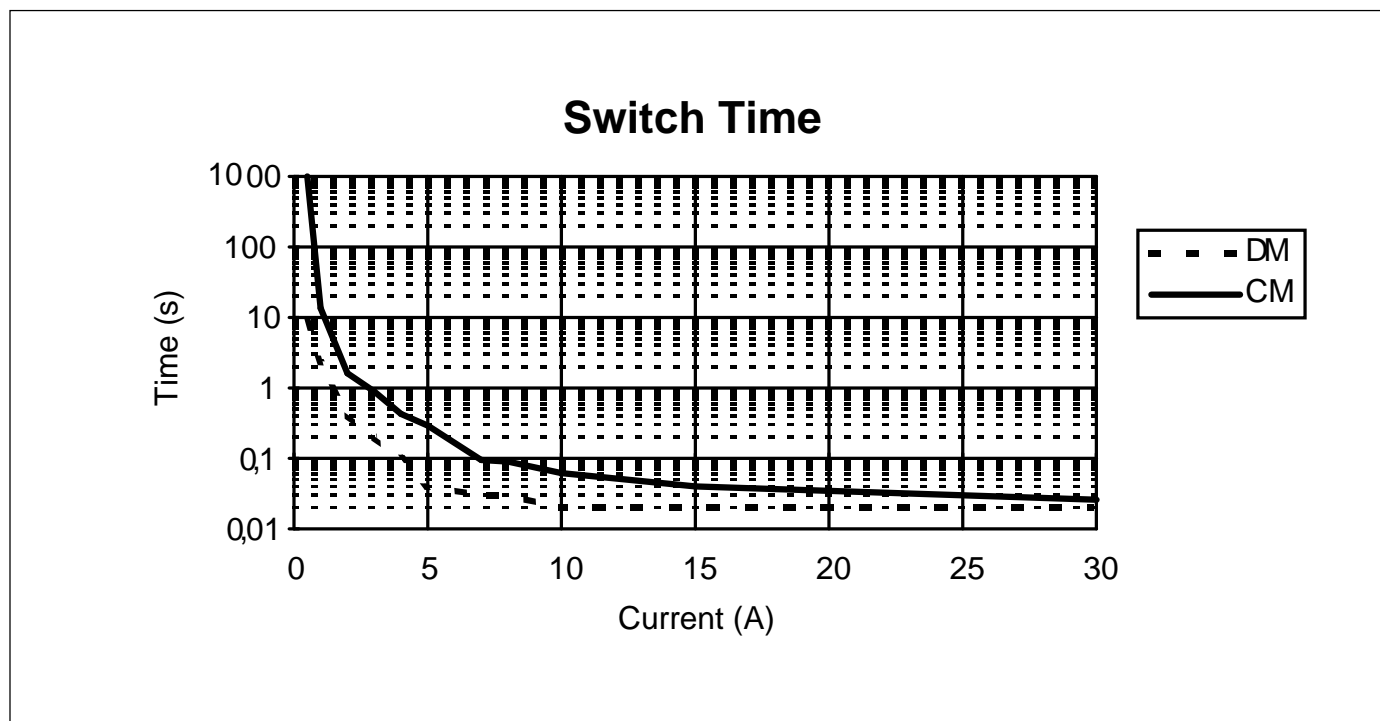


Figure 2. Diagram 1 Switch Time.

Mechanical Outline

Quality Specifications
 The LPM is delivered at the following
 AQL:
 Resistance, Ratio:
 AQL 0.4, Level II
 Surge Voltage, Power Cross:
 AQL 1.0, Level S-3
 according to
 IEC 410, MIL STD 105.

Pin types and Package

Two different pins are available:
Type B:
 (On Request)
 Pre-formed lead for 1.0 mm through-hole-mounting
Type C:
 (Recommended) Pre-formed lead for 0.8 mm through-hole-mounting.

Two types of packages are possible:
Bulk: with the LPM's individually fixed on a carrier.
Taped: with the LPM's placed on a tape and reel as described in IEC 286-2.

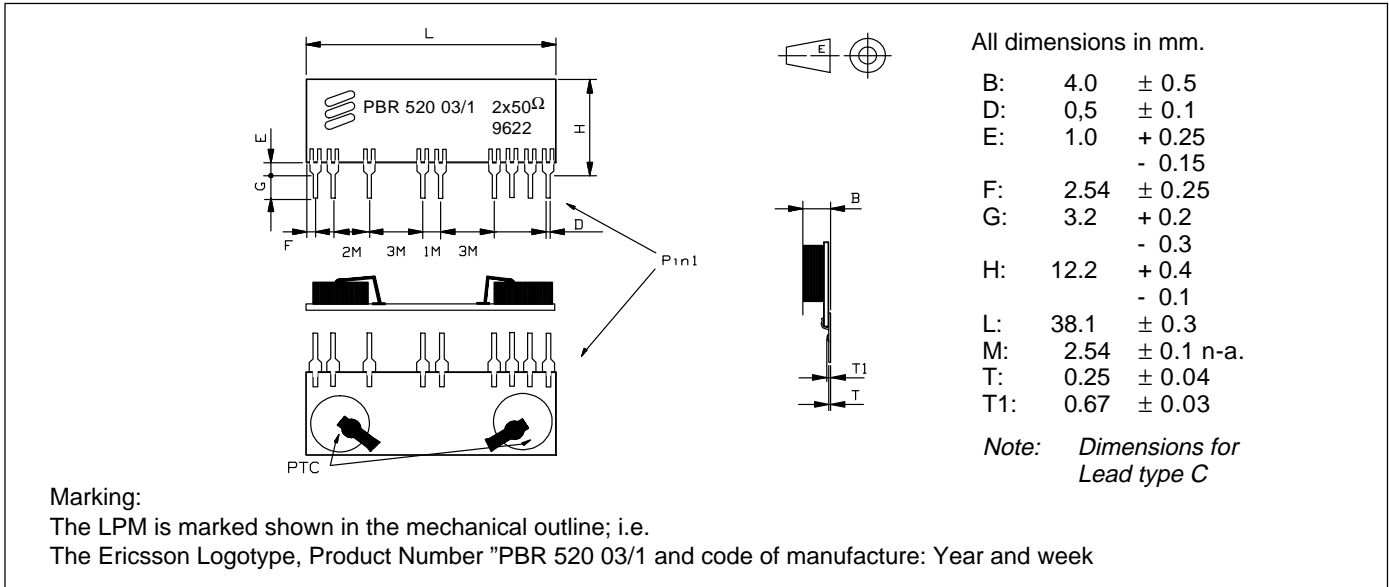


Figure. 3 Mechanical outline.

Ordering Information

The LPM may be ordered as:
 PBR 520 03/1 BK and PBR 520 03/1 CK for Bulk
 PBR 520 03/1 BT and PBR 520 03/1 CT for Taped

Information given in this data sheet is believed to be accurate and reliable. However no responsibility is assumed for the consequences of its use nor for any infringement of patents or other rights of third parties which may result from its use. No license is granted by implication or otherwise under any patent or patent rights of Ericsson Components. These products are sold only according to Ericsson Components' general conditions of sale, unless otherwise confirmed in writing.

Specifications subject to change without notice.
 1522-PBR 520 03/1 Uen Rev. B
 © Ericsson Components AB July 1997

Ericsson Components AB
 S-164 81 Kista-Stockholm, Sweden
 Telephone: (08) 757 50 00