

MONOLITHIC DUAL H BRIDGE DRIVER CIRCUIT

DESCRIPTION

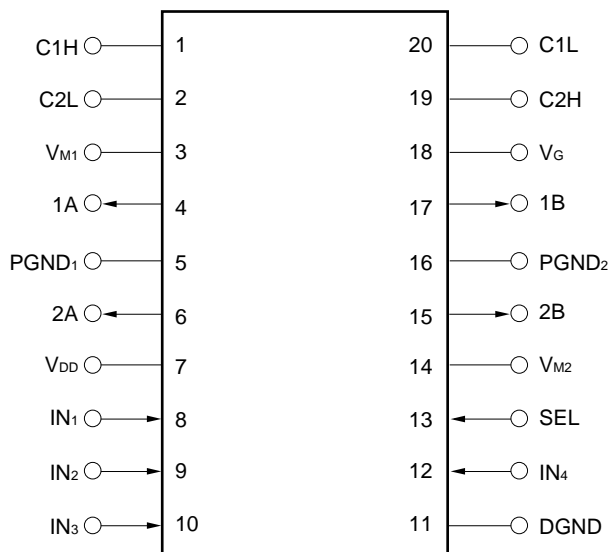
The μ PD16808 is a monolithic dual H bridge driver circuit which employing N-channel power MOS FETs for its driver stage. By using the power MOS FETs for the output stage, saturation voltage and power consumption are substantially improved as compared with conventional driver circuits that use bipolar transistors.

Because the dual H bridge driver circuits at the output stage are independent of each other, this IC is ideal as the driver circuit for a 1- to 2-phase excitation bipolar driving stepping motor for the head actuator of an FDD.

FEATURES

- Low ON resistance (sum of ON resistors of top and bottom FETs)
 $R_{ON1} = 1.0 \Omega$ TYP. ($V_M = 5.0$ V)
 $R_{ON2} = 1.5 \Omega$ TYP. ($V_M = 12.0$ V)
- Low current consumption: $I_{DD} = 0.4$ mA TYP.
- Four input modes independently controlling dual H bridge drivers (with 1- to 2-phase excitation selected)
- Motor voltage 12 V/5 V compatible
- Compact surface mount package: 20-pin plastic SOP (300 mil)

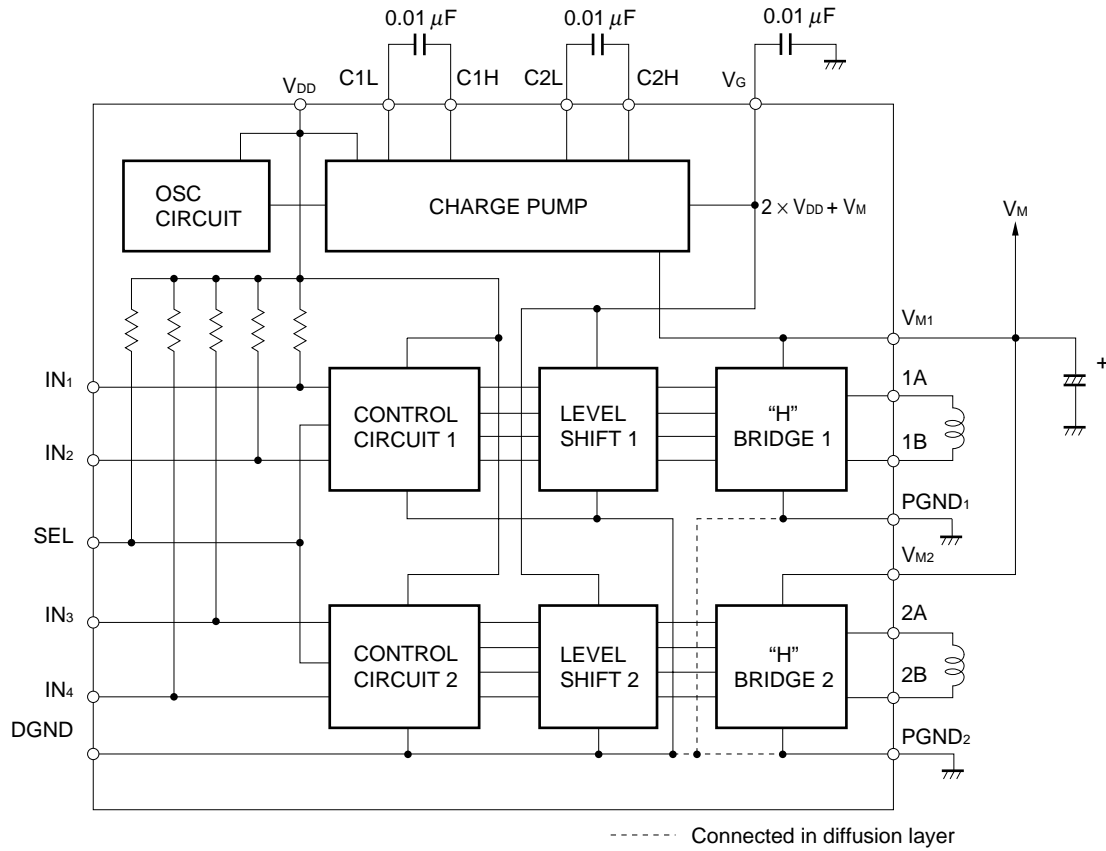
PIN CONFIGURATION (Top View)



ORDERING INFORMATION

Part Number	Package
μPD16808GS	20-pin plastic SOP (300 mil)

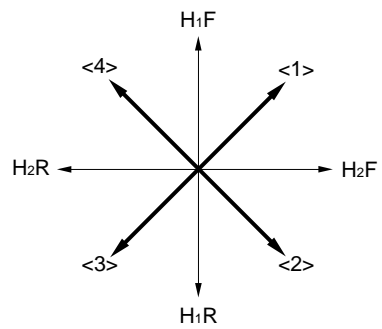
BLOCK DIAGRAM



FUNCTION TABLE

- With 1- to 2-phase excitation selected (SEL = High)

Excitation Direction	IN ₁	IN ₂	IN ₃	IN ₄	H ₁	H ₂
—	L	L	L	L	S	S
H ₂ R	L	L	L	H	S	R
H ₂ F	L	L	H	L	S	F
—	L	L	H	H	S	S
H ₁ R	L	H	L	L	R	S
<3>	L	H	L	H	R	R
<2>	L	H	H	L	R	F
H ₁ R	L	H	H	H	R	S
H ₁ F	H	L	L	L	F	S
<4>	H	L	L	H	F	R
<1>	H	L	H	L	F	F
H ₁ F	H	L	H	H	F	S
—	H	H	L	L	S	S
H ₂ R	H	H	L	H	S	R
H ₂ F	H	H	H	L	S	F
—	H	H	H	H	S	S

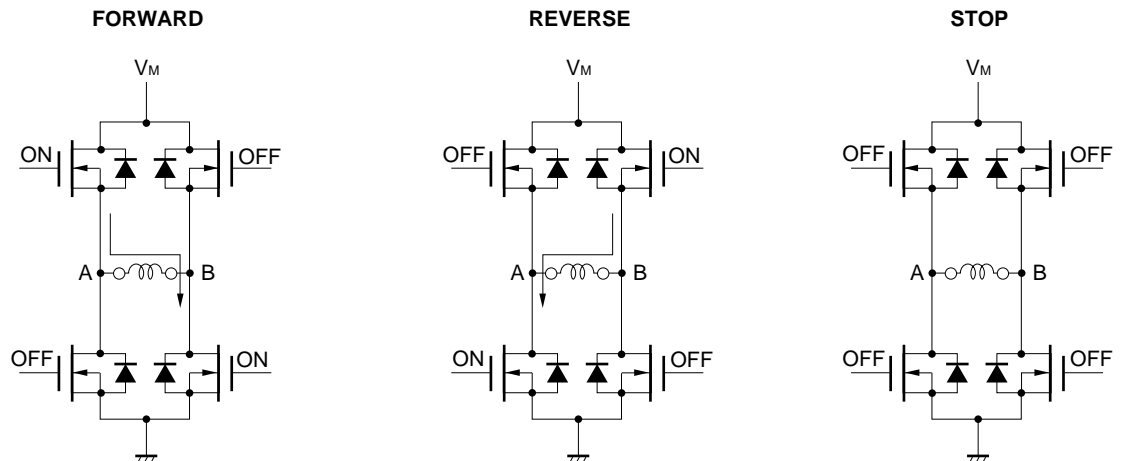


- With 2-phase excitation selected (SEL = Low)

Excitation Direction	IN ₁	IN ₃	IN ₄	IN ₂	H ₁	H ₂
<1>	H	H	×	H	F	F
<2>	L	H	×	H	R	F
<3>	L	L	×	H	R	R
<4>	H	L	×	H	F	R
—	×	×	×	L	Stop	

F: Forward R: Reverse S: Stop ×: Don't care

For the excitation waveform timing chart, refer to **APPLICATION CIRCUIT EXAMPLE**.



ABSOLUTE MAXIMUM RATINGS (T_A = 25 °C)

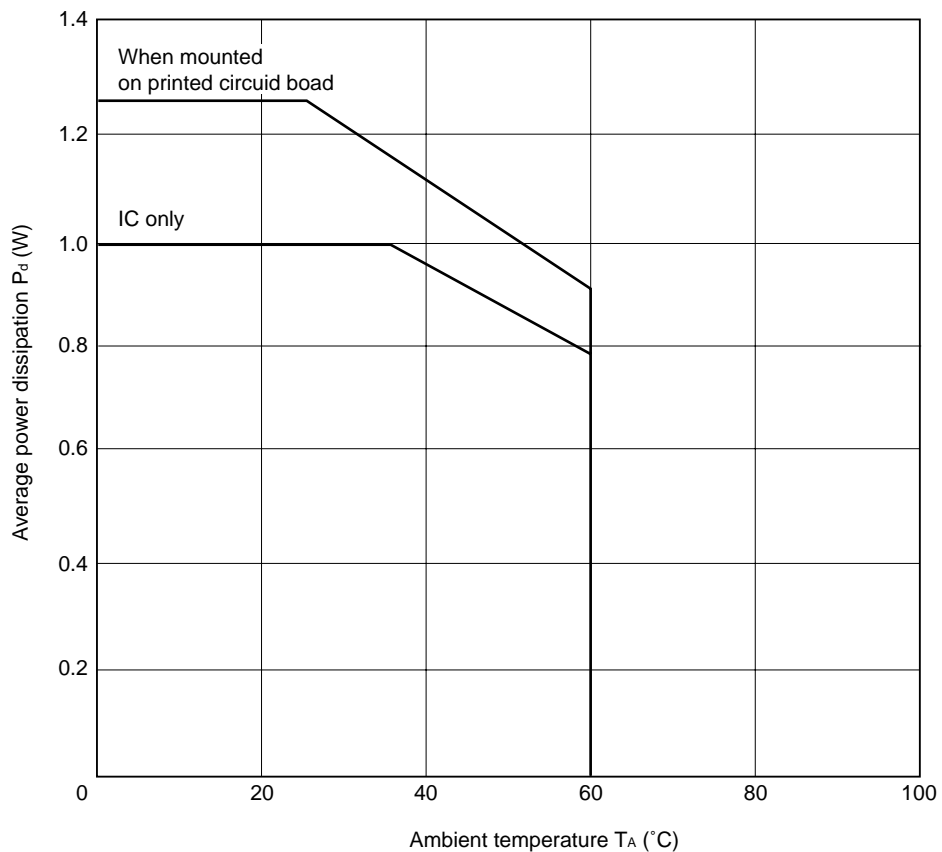
Parameter	Symbol	Rating	Unit
Supply voltage (motor block)	V _M	-0.5 to +15	V
Supply voltage (control block)	V _{DD}	-0.5 to +7	V
Power dissipation	P _{d1}	1.0 ^{Note 1}	W
	P _{d2}	1.25 ^{Note 2}	
Instantaneous H bridge driver current	I _b (pulse)	±1.0 ^{Note 2, 3}	A
Input voltage	V _{IN}	-0.5 to V _{DD} + 0.5	V
Operating temperature range	T _A	0 to 60	°C
Operation junction temperature	T _{JMAX.}	150	°C
Storage temperature range	T _{stg}	-55 to +125	°C

Notes 1. IC only

2. When mounted on a printed circuit board (100 × 100 × 1 mm, glass epoxy)

3. t ≤ 5 ms, Duty ≤ 40 %

P_d – T_A Characteristics



RECOMMENDED OPERATING CONDITIONS

Parameter	Symbol	MIN.	TYP.	MAX.	Unit
Supply voltage (motor block)	V_M	4.0	5.0	13.2	V
Supply voltage (control block)	V_{DD}	4.0	5.0	6.0	V
H bridge driver current ^{Note} $V_M = 5.0$ V	1-/2-phase excitation	I_{DR}		±600	mA
	2-phase excitation			±450	
Charge pump capacitance	C_1 to C_3	5		20	nF
Operating temperature	T_A	0		60	°C

Note When mounted on a printed circuit board (100 × 100 × 1 mm, glass epoxy)

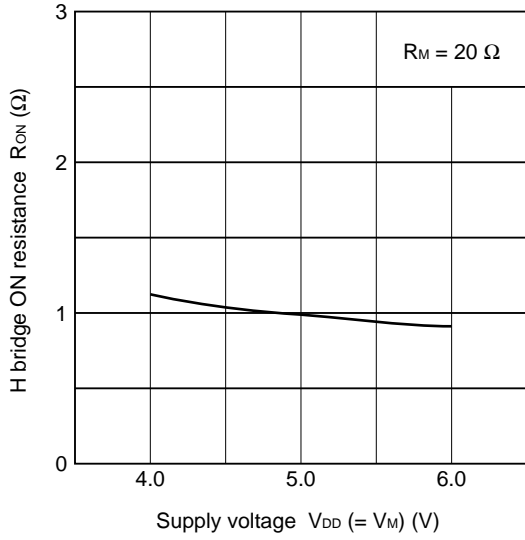
ELECTRICAL SPECIFICATIONS (Within recommended operating conditions unless otherwise specified)

Parameter	Symbol	Conditions	MIN.	TYP.	MAX.	Unit
OFF V_M pin current	I_M	$V_M = 6.0$ V, $V_{DD} = 6.0$ V ^{Note 1}			1.0	μA
		$V_M = 13.2$ V, $V_{DD} = 6.0$ V ^{Note 1}			1.0	mA
V_{DD} pin current	I_{DD}	Note 2		0.4	1.0	mA
Control pin high-level input current	I_{IH}	$T_A = 25$ °C, $V_{IN} = V_{DD}$			1.0	μA
		$0 \leq T_A \leq 60$ °C, $V_{IN} = V_{DD}$			2.0	
Control pin low-level input current	I_{IL}	$T_A = 25$ °C, $V_{IN} = 0$ V			-0.18	mA
		$0 \leq T_A \leq 60$ °C, $V_{IN} = 0$ V			-0.25	
Control pin input pull-up resistance	R_{IN}	$T_A = 25$ °C	35	50	65	kΩ
		$0 \leq T_A \leq 60$ °C	25		75	
Control pin high-level input voltage	V_{IH}		3.0		$V_{DD} + 0.3$	V
Control pin low-level input voltage	V_{IL}		-0.3		0.8	V
H bridge circuit ON resistance ^{Note 3}	R_{ON1}	$V_{DD} = 5$ V, $V_M = 5$ V		1.0	2.0	Ω
	R_{ON2}	$V_{DD} = 5$ V, $V_M = 12$ V		1.5	3.0	Ω
R_{ON} relative accuracy	ΔR_{ON1}	Excitation direction <2>, <4> ^{Note 4}			±5	%
	ΔR_{ON2}	Excitation direction <1>, <3>			±10	
Charge pump circuit (V_G) turn-ON time	T_{ONG}	$V_{DD} = 5$ V, $V_M = 5$ V		0.2	1.0	ms
H bridge circuit turn-ON time	T_{ONH}	$C_1 = C_2 = C_3 = 10$ nF			5	μs
H bridge circuit turn-OFF time	T_{OFFH}	$R_M = 20$ Ω			5	μs

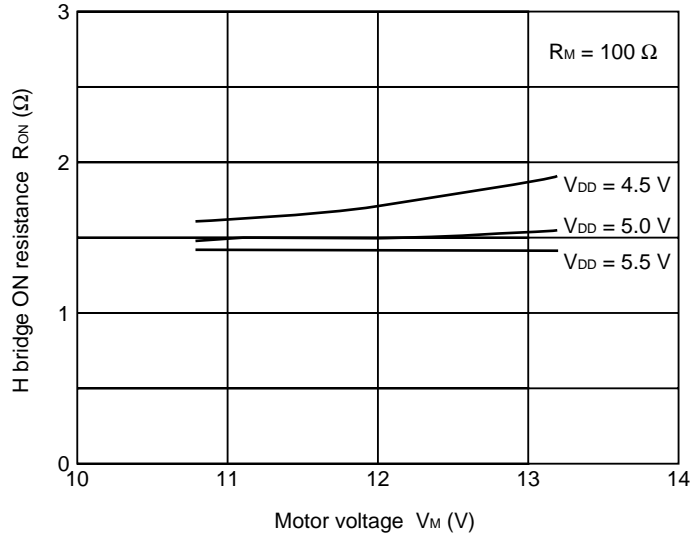
- Notes**
- Control pins (IN₁, IN₂, IN₃, IN₄): low
 - Control pins (IN₁, IN₂, IN₃, IN₄): high
 - Sum of ON resistances of top and bottom transistors
 - For the excitation direction, refer to **FUNCTION TABLE**.

CHARACTERISTIC CURVES

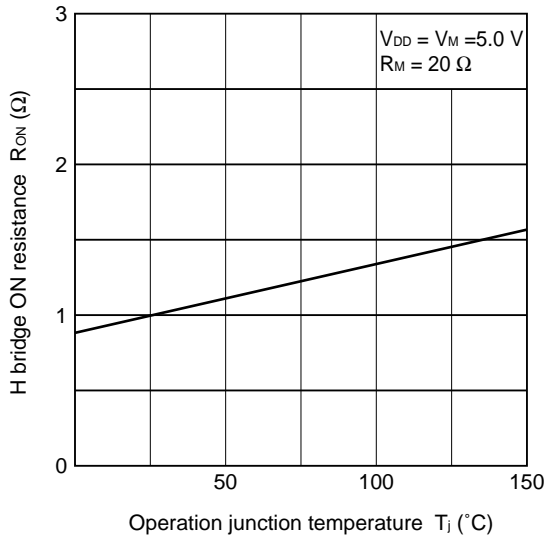
R_{ON} vs. V_{DD} (= V_M) Characteristics



R_{ON} vs. V_M Characteristics



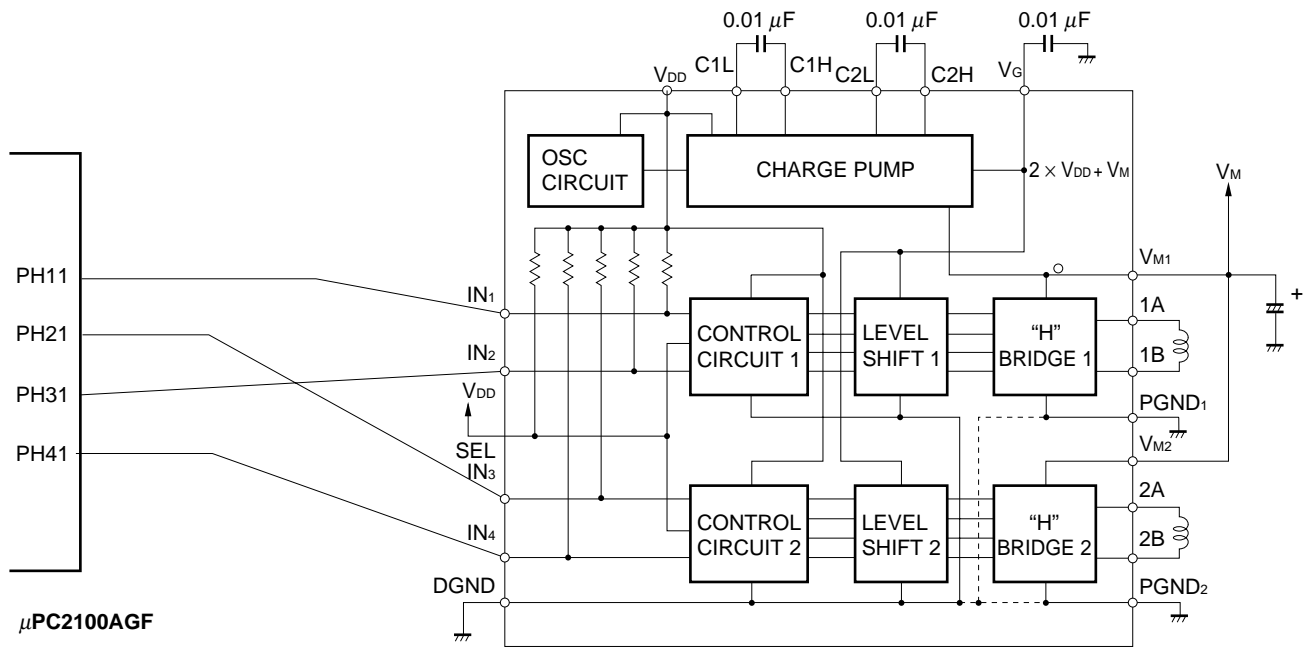
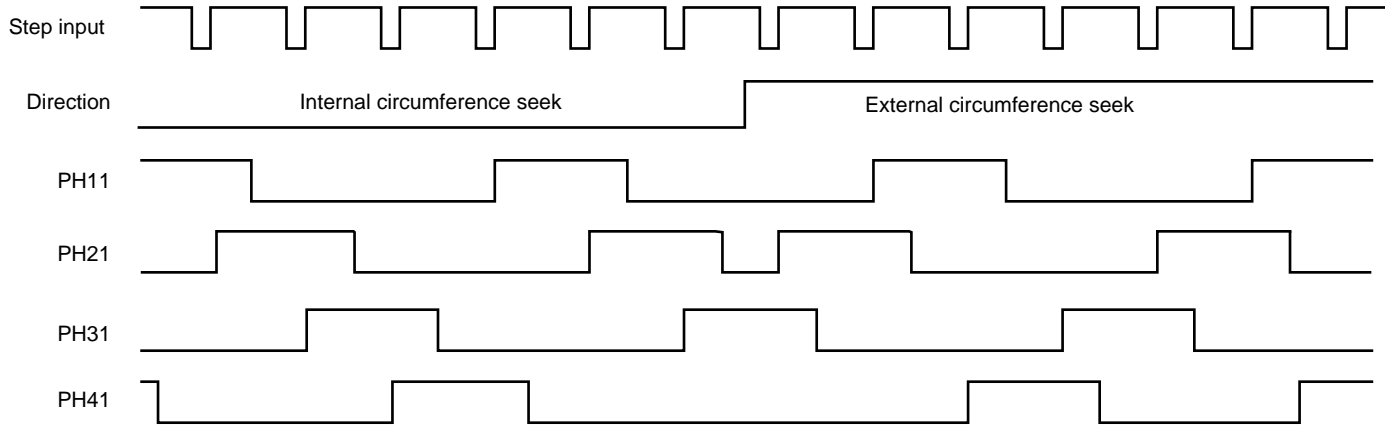
R_{ON} vs. T_j Characteristics



APPLICATION CIRCUIT EXAMPLE

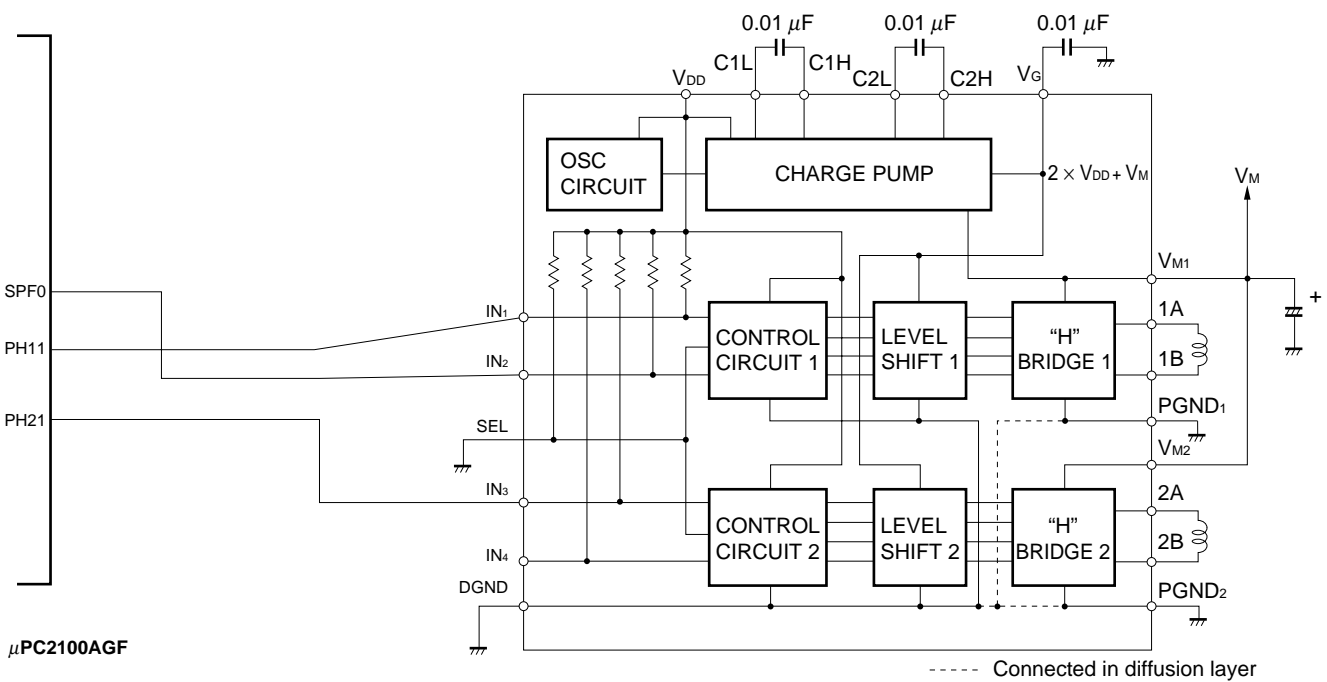
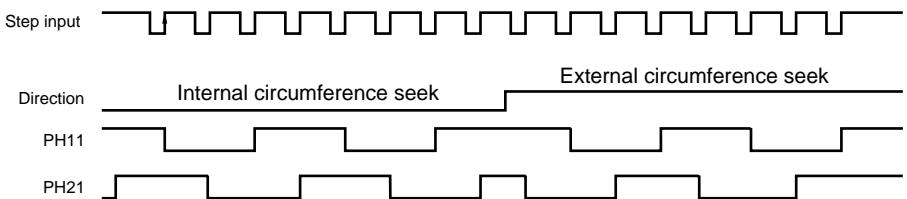
• Connection with 1-chip FDD LSI μPC2100AGF (With 1- to 2-phase excitation selected)

μPC2100AGF Stepping Motor Excitation Timing Chart



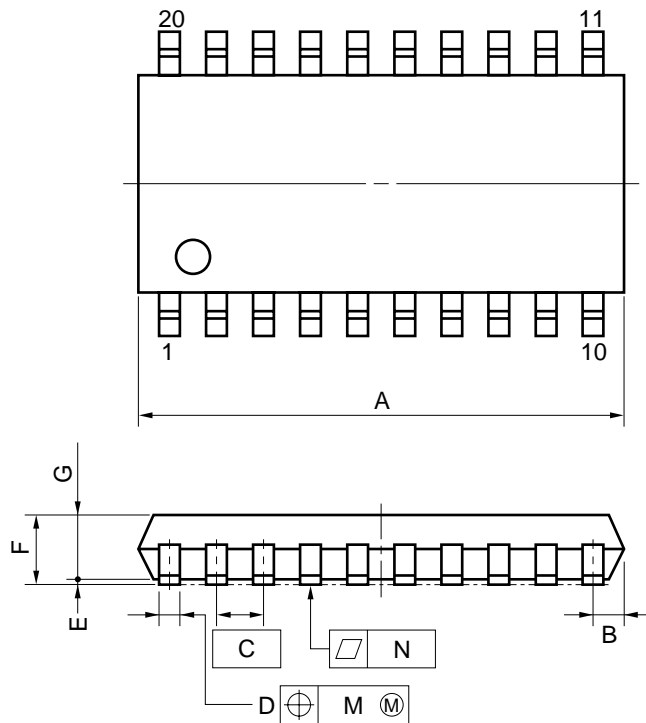
- Connection with 1-chip FDD LSI μPC2100AGF (With 2-phase excitation selected)

μPC2100AGF Stepping Motor Excitation Timing Chart

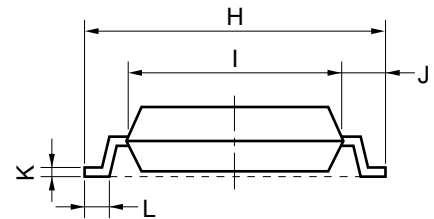
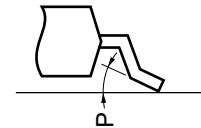


The application circuits and their parameters are for reference only and are not intended for use in actual design-ins.

20 PIN PLASTIC SOP (300 mil)



detail of lead end



NOTE

Each lead centerline is located within 0.12 mm (0.005 inch) of its true position (T.P.) at maximum material condition.

ITEM	MILLIMETERS	INCHES
A	13.00 MAX.	0.512 MAX.
B	0.78 MAX.	0.031 MAX.
C	1.27 (T.P.)	0.050 (T.P.)
D	0.40 ^{+0.10} _{-0.05}	0.016 ^{+0.004} _{-0.003}
E	0.1±0.1	0.004±0.004
F	1.8 MAX.	0.071 MAX.
G	1.55	0.061
H	7.7±0.3	0.303±0.012
I	5.6	0.220
J	1.1	0.043
K	0.20 ^{+0.10} _{-0.05}	0.008 ^{+0.004} _{-0.002}
L	0.6±0.2	0.024 ^{+0.008} _{-0.009}
M	0.12	0.005
N	0.10	0.004
P	3° ^{+7°} _{-3°}	3° ^{+7°} _{-3°}

P20GM-50-300B, C-4

RECOMMENDED SOLDERING CONDITIONS

It is recommended to solder this product under the conditions described below.

For soldering methods and conditions other than those listed below, consult NEC.

Surface mount type

For the details of the recommended soldering conditions of this type, refer to **Semiconductor Device Mounting Technology Manual (C10535E)**.

Soldering Method	Soldering Conditions	Symbol of Recommended Soldering
Infrared reflow	Peak package temperature: 230 °C, Time: 30 seconds MAX. (210 °C MIN.), Number of times: 1, Number of days: None ^{Note}	IR30-00
VPS	Peak package temperature: 215 °C, Time: 40 seconds MAX. (200 °C MIN.), Number of times: 1, Number of days: None ^{Note}	VP15-00
Wave soldering	Solder bath temperature: 260 °C MAX., Time: 10 seconds MAX., Number of times: 1, Number of days: None ^{Note}	WS60-00
Partial heating	Pin temperature: 300 °C MAX., Time: 10 seconds MAX., Number of days: None ^{Note}	—

Note The number of storage days at 25 °C, 65 % RH after the dry pack has been opened

Caution Do not use two or more soldering methods in combination (except partial heating).

[MEMO]

[MEMO]

No part of this document may be copied or reproduced in any form or by any means without the prior written consent of NEC Corporation. NEC Corporation assumes no responsibility for any errors which may appear in this document.

NEC Corporation does not assume any liability for infringement of patents, copyrights or other intellectual property rights of third parties by or arising from use of a device described herein or any other liability arising from use of such device. No license, either express, implied or otherwise, is granted under any patents, copyrights or other intellectual property rights of NEC Corporation or others.

While NEC Corporation has been making continuous effort to enhance the reliability of its semiconductor devices, the possibility of defects cannot be eliminated entirely. To minimize risks of damage or injury to persons or property arising from a defect in an NEC semiconductor device, customers must incorporate sufficient safety measures in its design, such as redundancy, fire-containment, and anti-failure features.

NEC devices are classified into the following three quality grades:

"Standard", "Special", and "Specific". The Specific quality grade applies only to devices developed based on a customer designated "quality assurance program" for a specific application. The recommended applications of a device depend on its quality grade, as indicated below. Customers must check the quality grade of each device before using it in a particular application.

Standard: Computers, office equipment, communications equipment, test and measurement equipment, audio and visual equipment, home electronic appliances, machine tools, personal electronic equipment and industrial robots

Special: Transportation equipment (automobiles, trains, ships, etc.), traffic control systems, anti-disaster systems, anti-crime systems, safety equipment and medical equipment (not specifically designed for life support)

Specific: Aircrafts, aerospace equipment, submersible repeaters, nuclear reactor control systems, life support systems or medical equipment for life support, etc.

The quality grade of NEC devices is "Standard" unless otherwise specified in NEC's Data Sheets or Data Books. If customers intend to use NEC devices for applications other than those specified for Standard quality grade, they should contact an NEC sales representative in advance.

Anti-radioactive design is not implemented in this product.