

4-BIT SINGLE-CHIP MICROCONTROLLER  
FOR INFRARED REMOTE CONTROL TRANSMISSION

## DESCRIPTION

Due to its low-voltage 2.0 V operation, on-chip carrier generator for infrared remote control transmission, standby release function through key entry, and programmable timer, the  $\mu$ PD62A is ideal for infrared remote control transmitters.

For the  $\mu$ PD62A, the one-time PROM product  $\mu$ PD6P4B has been made available for program evaluation or small-scale production.

## FEATURES

- Program memory (ROM): 512 × 10 bits
- Data memory (RAM): 32 × 4 bits
- On-chip carrier generator for infrared remote control
- 9-bit programmable timer: 1 channel
- Command execution time: 8  $\mu$ s (when operating at  $f_x = 8$  MHz: ceramic oscillation)
- Stack levels: 1 (Stack RAM is also available for data memory RF.)
- I/O pins ( $K_{I/O}$ ): 8
- Input pins ( $K_I$ ): 4
- Sense input pin ( $S_0$ )
- $S_1/\overline{LED}$  pin (I/O): When in output mode, this is the remote control transmission display pin.
- Power supply voltage:  $V_{DD} = 2.0$  to 3.6 V
- Operating ambient temperature:  $T_A = -40$  to  $+85^\circ\text{C}$
- Oscillator frequency:  $f_x = 2.4$  to 8 MHz
- POC (Power On Clear) circuit (Mask option)

## APPLICATION

Infrared remote control transmitter (for AV and household electrical appliances)

The information in this document is subject to change without notice. Before using this document, please confirm that this is the latest version.

Not all devices/types available in every country. Please check with local NEC representative for availability and additional information.

**ORDERING INFORMATION**

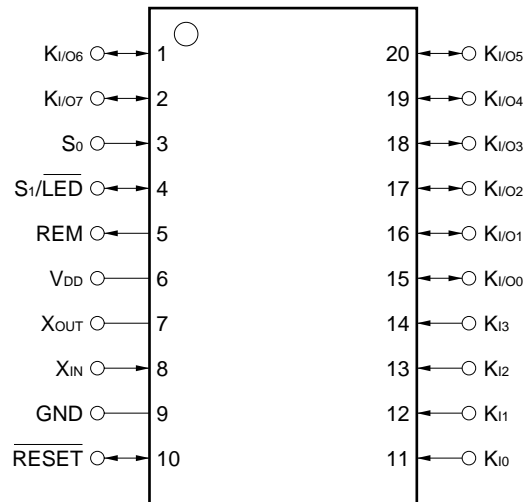
Part Number	Package
μPD62AMC-xxx-5A4	20-pin plastic SSOP (300 mils)

**Remark** xxx indicates ROM code suffix.

**PIN CONFIGURATION (TOP VIEW)**

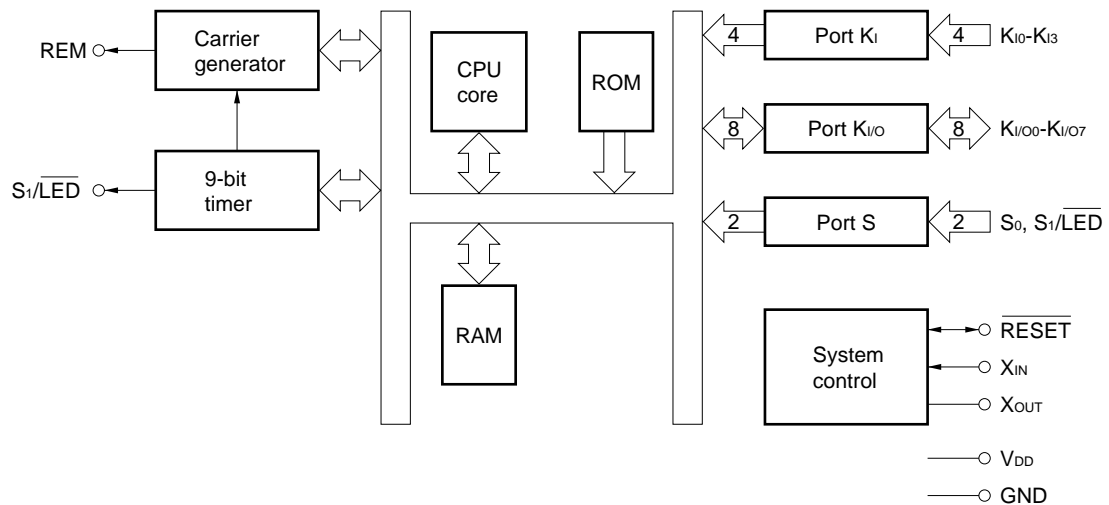
**20-pin Plastic SSOP (300 mils)**

- μPD62AMC-xxx-5A4



**Caution** The order of the Ki and Ki/O pin numbers is the reverse of that of the μPD6600A and 6124A.

**BLOCK DIAGRAM**



**LIST OF FUNCTIONS**

Item	μPD62A	μPD6P4B
ROM capacity	512 × 10 bits	1002 × 10 bits
	Mask ROM	One-time PROM
RAM capacity	32 × 4 bits	
Stack	1 level (RAM also used as RF)	
I/O pins	<ul style="list-style-type: none"> <li>• Key input (Ki): 4</li> <li>• Key I/O (Ki/O): 8</li> <li>• Key extended input (S0, S1): 2</li> <li>• Remote control transmission display output (LED): 1 (alternately functions as S1 pin)</li> </ul>	
Number of keys	<ul style="list-style-type: none"> <li>• 32 keys</li> <li>• 48 keys (when extended by key extension input)</li> <li>• 96 keys (when extended by key extension input and diode)</li> </ul>	
Clock frequency	Ceramic oscillation • f <sub>x</sub> = 2.4 to 8 MHz	
Instruction execution time	8 μs (f <sub>x</sub> = 8 MHz)	
Carrier frequency	f <sub>x</sub> /8, f <sub>x</sub> /16, f <sub>x</sub> /64, f <sub>x</sub> /96, f <sub>x</sub> /128, f <sub>x</sub> /192, no carrier (high level)	
Timer	9-bit programmable timer: 1 channel	
POC circuit	Mask option	Internal
Supply voltage	V <sub>DD</sub> = 2.0 to 3.6 V	V <sub>DD</sub> = 2.2 to 3.6 V (f <sub>x</sub> = 2.4 to 4 MHz) V <sub>DD</sub> = 2.7 to 3.6 V (f <sub>x</sub> = 4 to 8 MHz)
Operating ambient temperature	T <sub>A</sub> = -40 to +85°C	
Package	• 20-pin plastic SSOP (300 mils)	• 20-pin plastic SOP (300 mils) • 20-pin plastic SSOP (300 mils)

TABLE OF CONTENTS

<b>1. PIN FUNCTIONS</b> .....	<b>6</b>
1.1 List of Pin Functions .....	6
1.2 Pin Input/Output Circuits .....	7
1.3 Recommended Connection of Unused Pins .....	8
<b>2. INTERNAL CPU FUNCTIONS</b> .....	<b>9</b>
2.1 Program Counter (PC) .....	9
2.2 Stack Pointer (SP) .....	9
2.3 Address Stack Register (ASR (RF)) .....	9
2.4 Program Memory (ROM) .....	10
2.5 Data Memory (RAM) .....	10
2.6 Data Pointer (DP) .....	11
2.7 Accumulator (A) .....	11
2.8 Arithmetic and Logic Unit (ALU) .....	12
2.9 Flags .....	12
2.9.1 Status flag (F) .....	12
2.9.2 Carry flag (CY) .....	13
<b>3. PORT REGISTERS (PX)</b> .....	<b>14</b>
3.1 K <sub>I/O</sub> Port (P0) .....	15
3.2 K <sub>I</sub> Port/Special Ports (P1) .....	16
3.2.1 K <sub>I</sub> port (P <sub>11</sub> : bits 4 to 7 of P1) .....	16
3.2.2 S <sub>0</sub> port (bit 2 of P1) .....	16
3.2.3 S <sub>1</sub> /LED (bit 3 of P1) .....	16
3.3 Control Register 0 (P3) .....	17
3.4 Control Register 1 (P4) .....	18
<b>4. TIMER</b> .....	<b>19</b>
4.1 Timer Configuration .....	19
4.2 Timer Operation .....	20
4.3 Carrier Output .....	21
4.4 Software Control of Timer Output .....	21
<b>5. STANDBY FUNCTION</b> .....	<b>22</b>
5.1 Outline of Standby Function .....	22
5.2 Standby Mode Setting and Release .....	23
5.3 Standby Mode Release Timing .....	24
<b>6. RESET PIN</b> .....	<b>26</b>
<b>7. POC CIRCUIT (MASK OPTION)</b> .....	<b>27</b>
7.1 Functions of POC Circuit .....	28
7.2 Oscillation Check at Low Supply Voltage .....	28
<b>8. SYSTEM CLOCK OSCILLATOR</b> .....	<b>29</b>

<b>9. INSTRUCTION SET .....</b>	<b>30</b>
9.1 Machine Language Output by Assembler .....	30
9.2 Circuit Symbol Description .....	31
9.3 Mnemonic to/from Machine Language (Assembler Output) Contrast Table .....	32
9.4 Accumulator Operation Instructions .....	36
9.5 Input/Output Instructions .....	39
9.6 Data Transfer Instruction .....	40
9.7 Branch Instructions .....	42
9.8 Subroutine Instructions .....	43
9.9 Timer Operation Instructions .....	44
9.10 Others .....	45
<b>10. ASSEMBLER RESERVED WORDS .....</b>	<b>47</b>
10.1 Mask Option Directives .....	47
10.1.1 OPTION and ENDOP directives .....	47
10.1.2 Mask option definition directive .....	47
<b>11. ELECTRICAL SPECIFICATIONS .....</b>	<b>48</b>
<b>12. CHARACTERISTIC CURVES (REFERENCE VALUES) .....</b>	<b>52</b>
<b>13. APPLICATION CIRCUIT EXAMPLE .....</b>	<b>53</b>
<b>14. PACKAGE DRAWINGS .....</b>	<b>54</b>
<b>15. RECOMMENDED SOLDERING CONDITIONS .....</b>	<b>55</b>
<b>APPENDIX A. DEVELOPMENT TOOLS .....</b>	<b>56</b>
<b>APPENDIX B. FUNCTIONAL COMPARISON BETWEEN μPD62A AND OTHER SUBSERIES ...</b>	<b>57</b>
<b>APPENDIX C. EXAMPLE OF REMOTE-CONTROL TRANSMISSION FORMAT .....</b>	<b>58</b>

## 1. PIN FUNCTIONS

### 1.1 List of Pin Functions

Pin No.	Symbol	Function	After Format	After Reset
1 2 15 to 20	$K_{i/00}$ to $K_{i/07}$	8-bit input/output port Input/output can be specified in 8-bit units. In input mode, a pull-down resistor is added. In output mode, these pins can be used as the key scan output of the key matrix.	CMOS push-pull <sup>Note 1</sup>	High-level output
3	$S_0$	Input port Can also be used as the key return input of the key matrix. In input mode, the use of a pull-down resistor for the $S_0$ and $S_1$ ports can be specified by software in 2-bit units. If input mode is canceled by software, this pin is placed in OFF mode and enters the high-impedance state.	—	High-impedance (OFF mode)
4	$S_1/\overline{LED}$	Input/output port In input mode ( $S_1$ ), this pin can also be used as the key return input of the key matrix. The use of a pull-down resistor for the $S_0$ and $S_1$ ports can be specified by software in 2-bit units. In output mode ( $\overline{LED}$ ), it becomes the remote control transmission display output (active low). When the remote control carrier is output from the REM output, this pin outputs a low level from the $\overline{LED}$ output synchronously with the REM signal.	CMOS push-pull	High-level output (LED)
5	REM	Infrared remote control transmission output. The output is active high. Carrier frequency: $f_x/8$ , $f_x/64$ , $f_x/96$ , high-level, $f_x/16$ , $f_x/128$ , $f_x/192$ (software supporting)	CMOS push-pull	Low-level output
6	$V_{DD}$	Power supply	—	—
7 8	$X_{OUT}$ $X_{IN}$	These pins are connected to system clock ceramic resonators.	—	Low level (oscillation stopped)
9	GND	Ground	—	—
10	$\overline{RESET}$	Normally, this pin is the system reset input. By inputting a low level, the CPU can be reset. When resetting with the POC circuit (mask option) a low level is output. A pull-up resistor is connected to this pin.	—	—
11 to 14	$K_{i0}$ to $K_{i3}$ <sup>Note 2</sup>	4-bit input port These pins can be used as the key return input of the key matrix. The use of a pull-down resistor can be specified by software in 4-bit units.	—	Input (low-level)

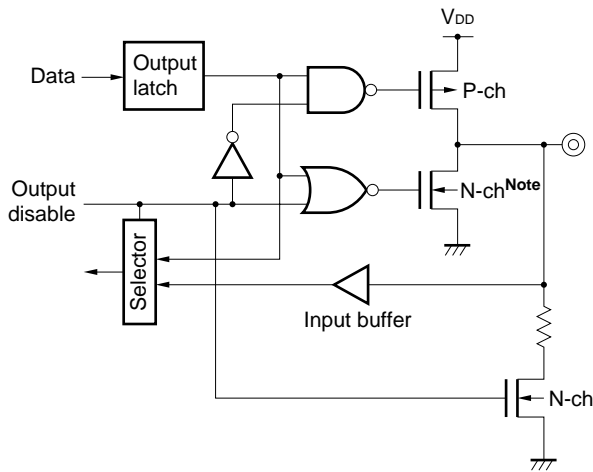
**Notes** 1. Be aware that the drive capability of the low-level output side is held low.

2. In order to prevent malfunction, be sure to input a low level to more than one of pins  $K_{i0}$  to  $K_{i3}$  when reset is released (when the  $\overline{RESET}$  pin changes from low level to high level, or POC is released due to supply voltage startup).

### 1.2 Pin Input/Output Circuits

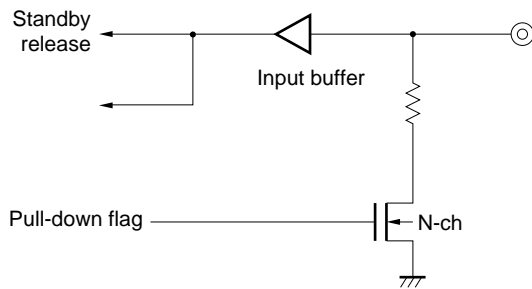
The input/output circuits of the μPD62A pins are shown in partially simplified forms below.

(1)  $K_{I/O0}$  to  $K_{I/O7}$

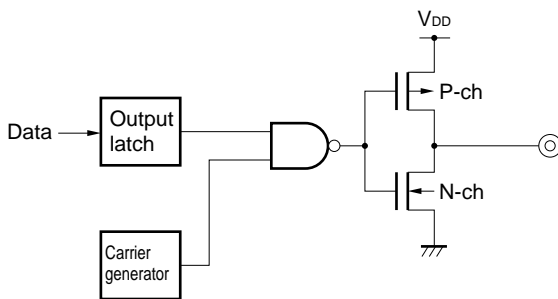


**Note** The drive capability is held low.

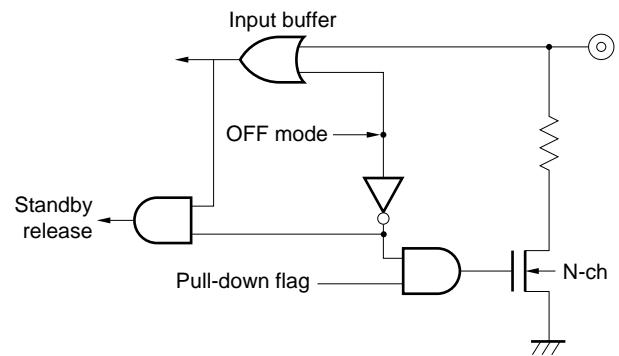
(2)  $K_{I0}$  to  $K_{I3}$



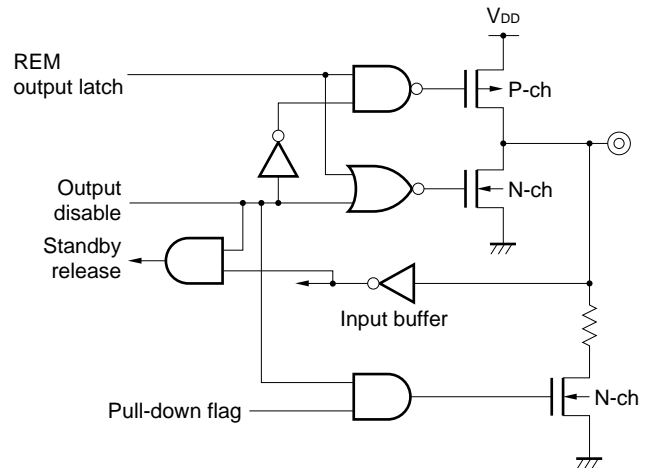
(3) REM



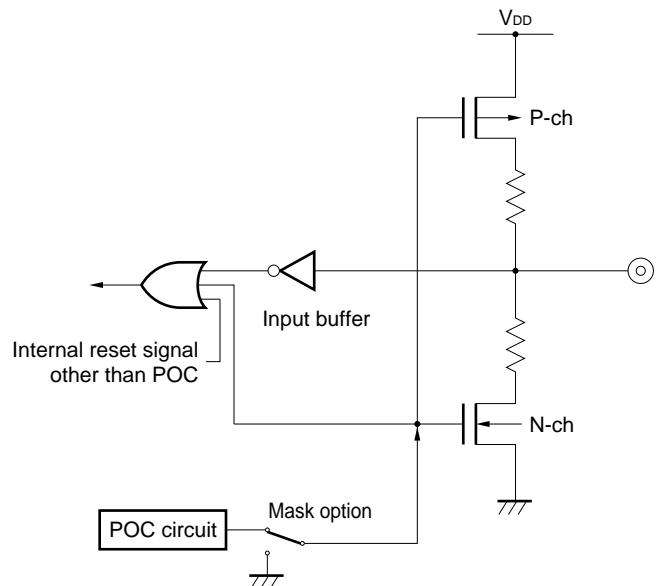
(4)  $S_0$



(5)  $S_1/\overline{LED}$



(6)  $\overline{RESET}$



### 1.3 Recommended Connection of Unused Pins

The following connections are recommended for unused pins.

**Table 1-1. Connections for Unused Pins**

Pin		Connection	
		Inside the Microcontroller	Outside the Microcontroller
K <sub>I/O</sub>	Input mode	—	Leave open
	Output mode	High-level output	
REM		—	
S <sub>1</sub> /LED		Output mode ( $\overline{\text{LED}}$ ) setting	Directly connect these pins to GND
S <sub>0</sub>		OFF mode setting	
K <sub>I</sub>		—	
RESET <sup>Note</sup>		On-chip POC circuit	Leave open

**Note** For application circuits requiring high reliability, be sure to design so that the  $\overline{\text{RESET}}$  signal is input externally.

**Caution** It is recommended that the I/O mode and the terminal output level are fixed by repeating the settings in each loop of the program.

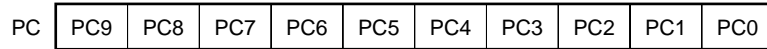


## 2. INTERNAL CPU FUNCTIONS

### 2.1 Program Counter (PC): 10 Bits

This is a binary counter that holds the address information of the program memory.

Figure 2-1. Program Counter Configuration



The program counter contains the address of the instruction that should be executed next. Normally, the counter contents are automatically incremented in accordance with the instruction length (byte count) each time an instruction is executed.

However, when executing JUMP instructions (JMP, JC, JNC, JF, JNF), the program counter contains the jump destination address written in the operand.

When executing the subroutine call instruction (CALL), the call destination address written in the operand is entered in the PC after the PC contents at the time are saved in the address stack register (ASR). If the return instruction (RET) is executed after the CALL instruction is executed, the address saved in the ASR is restored to the PC.

When reset, the value of the program counter becomes "000H".

### 2.2 Stack Pointer (SP): 1 Bit

This is a 1-bit register which holds the status of the address stack register.

The stack pointer contents are incremented when the call instruction (CALL) is executed; they are decremented when the return instruction (RET) is executed.

When reset, the stack pointer contents are cleared to 0.

When the stack pointer overflows (stack level 2 or more) or underflows, the CPU is hung up and a system reset signal is generated, and the PC becomes "000H".

As no instruction is available to set a value directly for the stack pointer, it is not possible to operate the pointer by means of a program.

### 2.3 Address Stack Register (ASR (RF)): 10 Bits

The address stack register saves the return address of the program after a subroutine call instruction is executed.

The low-order 8 bits are configured as RAM that is also used as the data memory RF. The register holds the ASR value even after RET is executed.

When reset, it holds the previous data (undefined on power application).

**Caution** If RF is accessed as data memory, the high-order 2 bits of the ASR become undefined.

Figure 2-2. Address Stack Register Configuration



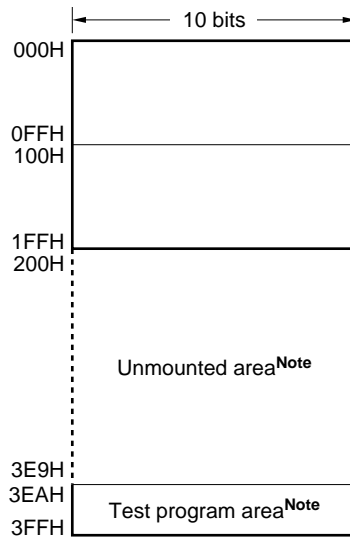
**2.4 Program Memory (ROM): 512 steps × 10 bits**

The ROM consists of 10 bits per step, and is addressed by the program counter.

The program memory stores programs and table data, etc.

The 22 steps from 3EAH to 3FFH cannot be used in the test program area.

**Figure 2-3. Program Memory Map**



**Note** The unmounted area and the test program area are so designed that a program or data placed in either of them by mistake is returned to the 000H address.

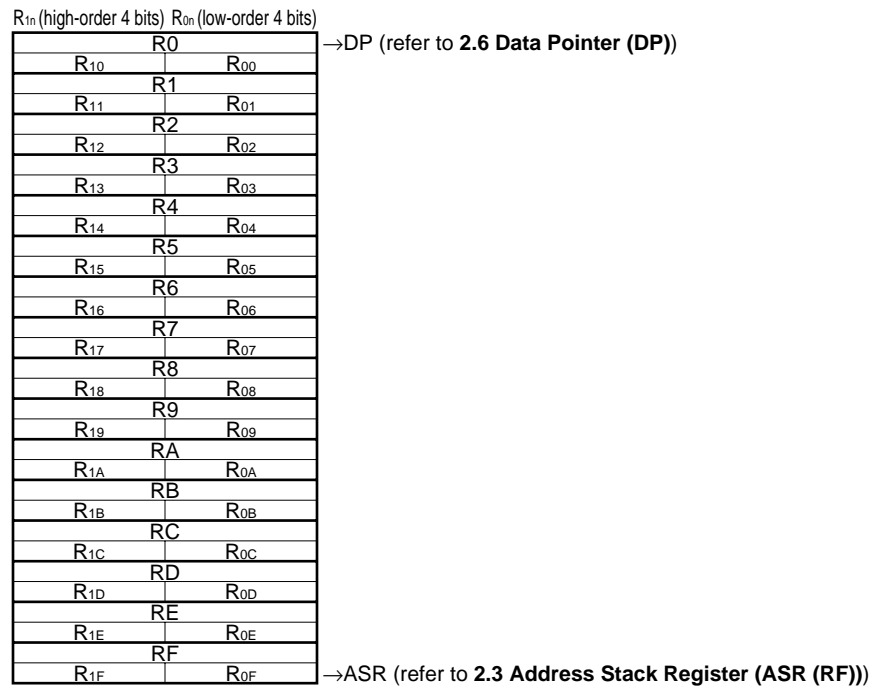
**2.5 Data Memory (RAM): 32 × 4 Bits**

The data memory, which is a static RAM consisting of 32 × 4 bits, is used to retain processed data. The data memory is sometimes processed in 8-bit units. R0 can be used as the ROM data pointer.

RF is also used as the ASR.

When reset, R0 is cleared to "00H" and R1 to RF retain the previous data (undefined upon power application).

Figure 2-4. Data Memory Configuration



**2.6 Data Pointer (DP): 10 Bits**

The ROM data table can be referenced by setting the ROM address in the data pointer to call the ROM contents. The low-order 8 bits of the ROM address are specified by R0 of the data memory; and the high-order 2 bits by bits 4 and 5 of the P3 register (CR0). When reset, the pointer contents become "000H".

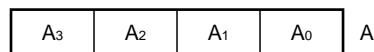
Figure 2-5. Data Pointer Configuration



**2.7 Accumulator (A): 4 Bits**

The accumulator, which is a register consisting of 4 bits, plays a leading role in performing various operations. When reset, the accumulator contents become undefined.

Figure 2-6. Accumulator Configuration



**2.8 Arithmetic and Logic Unit (ALU): 4 Bits**

The arithmetic and logic unit (ALU), which is an arithmetic circuit consisting of 4 bits, executes simple manipulations with priority given to logical operations.

**2.9 Flags**

**2.9.1 Status flag (F)**

Pin and timer statuses can be checked by executing the STTS instruction to check the status flag.

The status flag is set (to 1) in the following cases.

- If the condition specified with the operand is met when the STTS instruction has been executed
- When standby mode is canceled.
- When the cancelation condition is met at the point of executing the HALT instruction. (In this case, the system is not placed in standby mode.)

Conversely, the status flag is cleared (to 0) in the following cases:

- If the condition specified with the operand is not met when the STTS instruction has been executed.
- When the status flag has been set (to 1), the HALT instruction executed, but the cancelation condition is not met at the point of executing the HALT instruction. (In this case, the system is not placed in standby mode.)

**Table 2-1. Conditions for Status Flag (F) to Be Set by STTS Instruction**

Operand Value of STTS Instruction				Condition for Status Flag (F) to Be Set
b <sub>3</sub>	b <sub>2</sub>	b <sub>1</sub>	b <sub>0</sub>	
0	0	0	0	High level input to at least one of K <sub>i</sub> pins.
	0	1	1	High level input to at least one of K <sub>i</sub> pins.
	1	1	0	High level input to at least one of K <sub>i</sub> pins.
	1	0	1	The down counter of the timer is 0.
1	Any combination of b <sub>2</sub> , b <sub>1</sub> , and b <sub>0</sub> above.			[The following condition is added in addition to the above.] High level input to at least one of S <sub>0</sub> and S <sub>1</sub> pins.

### 2.9.2 Carry flag (CY)

The carry flag is set (to 1) in the following cases:

- If the ANL instruction or the XRL instruction is executed when bit 3 of the accumulator is “1” and bit 3 of the operand is “1”.
- If the RL instruction or the RLZ instruction is executed when bit 3 of the accumulator is “1”.
- If the INC instruction or the SCAF instruction is executed when the value of the accumulator is 0FH.

The carry flag is cleared (to 0) in the following cases:

- If the ANL instruction or the XRL instruction is executed when at least either bit 3 of the accumulator or bit 3 of the operand is “0”.
- If the RL instruction or the RLZ instruction is executed when bit 3 of the accumulator is “0”.
- If the INC instruction or the SCAF instruction is executed when the value of the accumulator is other than 0FH.
- If the ORL instruction is executed.
- When data is written to the accumulator by the MOV instruction or the IN instruction.

### 3. PORT REGISTERS (PX)

The K<sub>I/O</sub> port, the K<sub>I</sub> port, the special ports (S<sub>0</sub>, S<sub>1</sub>/ $\overline{\text{LED}}$ ), and the control registers are treated as port registers. The port register values after reset are shown below.

**Figure 3-1. Port Register Configuration**

Port Register								After Reset
P0								FFH
P <sub>10</sub>				P <sub>00</sub>				
K <sub>I/O7</sub>	K <sub>I/O6</sub>	K <sub>I/O5</sub>	K <sub>I/O4</sub>	K <sub>I/O3</sub>	K <sub>I/O2</sub>	K <sub>I/O1</sub>	K <sub>I/O0</sub>	
P1								× FH <sup>Note</sup>
P <sub>11</sub>				P <sub>01</sub>				
K <sub>I3</sub>	K <sub>I2</sub>	K <sub>I1</sub>	K <sub>I0</sub>	S <sub>1</sub> / $\overline{\text{LED}}$	S <sub>0</sub>	1	1	
P3 (Control register 0)								03H
P <sub>13</sub>				P <sub>03</sub>				
0	0	DP <sub>9</sub>	DP <sub>8</sub>	TCTL	CARY	MOD <sub>1</sub>	MOD <sub>0</sub>	
P4 (Control register 1)								26H
P <sub>14</sub>				P <sub>04</sub>				
0	0	K <sub>I</sub> pull-down	S <sub>0</sub> /S <sub>1</sub> pull-down	0	S <sub>1</sub> / $\overline{\text{LED}}$ mode	K <sub>I/O</sub> mode	S <sub>0</sub> mode	

**Note** ×: Refers to the value based on the K<sub>I</sub> pin status.

**Table 3-1. Relationship Between Ports and Read/Write**

Port Name	Input Mode		Output Mode	
	Read	Write	Read	Write
K <sub>I/O</sub>	Pin status	Output latch	Output latch	Output latch
K <sub>I</sub>	Pin status	—	—	—
S <sub>0</sub>	Pin status	—	<b>Note</b>	—
S <sub>1</sub> / $\overline{\text{LED}}$	Pin status	—	Pin status	—

**Note** When in OFF mode, “1” is normally read.

### 3.1 K<sub>I/O</sub> Port (P0)

The K<sub>I/O</sub> port is an 8-bit input/output port for key scan output.

Input/output mode is set by bit 1 of the P4 register.

If a read instruction is executed, the pin state can be read in input mode, whereas the output latch contents can be read in output mode.

If the write instruction is executed, data can be written to the output latch regardless of input or output mode.

When reset, the port is placed in output mode; and the value of the output latch (P0) becomes 1111 1111B.

The K<sub>I/O</sub> port includes a pull-down resistor, allowing pull-down in input mode only.

**Caution** If a key is double-pressed, a high-level output and a low-level output may coincide at the K<sub>I/O</sub> port. To avoid this, the low-level output current of the K<sub>I/O</sub> port is held low. Therefore, be careful when using the K<sub>I/O</sub> port for purposes other than key scan output.

The K<sub>I/O</sub> port is so designed that, even when connected directly to V<sub>DD</sub>, within the normal supply voltage range (V<sub>DD</sub> = 2.0 to 3.6 V), no problem may occur.

Table 3-2. K<sub>I/O</sub> Port (P0)

Bit	b <sub>7</sub>	b <sub>6</sub>	b <sub>5</sub>	b <sub>4</sub>	b <sub>3</sub>	b <sub>2</sub>	b <sub>1</sub>	b <sub>0</sub>
Name	K <sub>I/O7</sub>	K <sub>I/O6</sub>	K <sub>I/O5</sub>	K <sub>I/O4</sub>	K <sub>I/O3</sub>	K <sub>I/O2</sub>	K <sub>I/O1</sub>	K <sub>I/O0</sub>

b<sub>0</sub> to b<sub>7</sub>: Read: In input mode, the K<sub>I/O</sub> pin's state is read.

In output mode, the K<sub>I/O</sub> pin's output latch contents are read.

Write: Data is written to the K<sub>I/O</sub> pin's output latch regardless of input or output mode.

### 3.2 K<sub>I</sub> Port/Special Ports (P1)

#### 3.2.1 K<sub>I</sub> port (P<sub>11</sub>: bits 4 to 7 of P1)

The K<sub>I</sub> port is a 4-bit input port for key entry.

The pin status can be read at this port.

Software can be used to set whether to connect a pull-down resistor at the K<sub>I</sub> port in 4-bit units by means of bit 5 of the P4 register.

When reset, a pull-down resistor is connected.

**Table 3-3. K<sub>I</sub>/Special Port Register (P1)**

Bit	b <sub>7</sub>	b <sub>6</sub>	b <sub>5</sub>	b <sub>4</sub>	b <sub>3</sub>	b <sub>2</sub>	b <sub>1</sub>	b <sub>0</sub>
Name	K <sub>I3</sub>	K <sub>I2</sub>	K <sub>I1</sub>	K <sub>I0</sub>	S <sub>1</sub> /LED	S <sub>0</sub>	(Fixed to 1)	

b<sub>2</sub>: In input mode, the status of the S<sub>0</sub> pin is read (Read only).

In OFF mode, this bit is fixed to 1.

b<sub>3</sub>: The status of the S<sub>1</sub>/LED pin is read regardless of input/output mode (Read only).

b<sub>4</sub> to b<sub>7</sub>: The status of the K<sub>I</sub> pin is read (Read only).

**Caution** In order to prevent malfunction, be sure to input a low level to more than one of pins K<sub>I0</sub> to K<sub>I3</sub> when reset is released (when the RESET pin changes from low level to high level, or POC is released due to supply voltage startup).

#### 3.2.2 S<sub>0</sub> port (bit 2 of P1)

The S<sub>0</sub> port is the input/OFF mode port.

The pin status can be read by setting this port to input mode with bit 0 of the P4 register.

In input mode, software can be used to set whether to connect a pull-down resistor at the S<sub>0</sub> and S<sub>1</sub>/LED ports in 2-bit units by means of bit 4 of the P4 register.

If input mode is canceled (set to OFF mode), the pin becomes high-impedance, but the through current is stopped from flowing internally. In OFF mode, "1" can be read regardless of the pin status.

When reset, this port is set to OFF mode and becomes high-impedance.

#### 3.2.3 S<sub>1</sub>/LED (bit 3 of P1)

The S<sub>1</sub>/LED port is an input/output port.

This port is set input or output mode by means of bit 2 of the P4 register. The pin status can be read in both input and output mode.

In input mode, software can be used to set whether to connect a pull-down resistor at the S<sub>0</sub> and S<sub>1</sub>/LED ports in 2-bit units by means of bit 4 of the P4 register.

In output mode, the pull-down resistor is automatically disconnected, and this port becomes the remote control transmission display pin (refer to 4. TIMER).

When reset, this port is placed in output mode, and a high level is output.



### 3.3 Control Register 0 (P3)

Control register 0 consists of 8 bits. The contents that can be controlled are as shown below. When reset, this register becomes 0000 0011B.

**Table 3-4. Control Register 0 (P3)**

Bit	b7	b6	b5	b4	b3	b2	b1	b0
Name	—	—	DP (Data pointer)		TCTL	CARY	MOD <sub>1</sub>	MOD <sub>0</sub>
			DP <sub>9</sub>	DP <sub>8</sub>				
Set value	0	Fixed to 0	Fixed to 0	0	0	1/1	ON	Refer to <b>Table 3-5</b> .
	1			1	1	1/2	OFF	
After reset	0	0	0	0	0	0	0	1 1

- b<sub>0</sub> and b<sub>1</sub>: These bits specify the carrier frequency and duty ratio of the REM output.
- b<sub>2</sub>: This bit specifies the availability of the carrier of the frequency specified by b<sub>0</sub> and b<sub>1</sub>.  
 “0” = ON (with carrier); “1” = OFF (without carrier; high level)
- b<sub>3</sub>: This bit changes the carrier frequency and the timer clock’s frequency division ratio.  
 “0” = 1/1 (carrier frequency: the specified value of b<sub>0</sub> and b<sub>1</sub>; timer clock: f<sub>x</sub>/64)  
 “1” = 1/2 (carrier frequency: half of the specified value of b<sub>0</sub> and b<sub>1</sub>; timer clock: f<sub>x</sub>/128)

**Table 3-5. Timer Clock and Carrier Frequency Settings**

b <sub>3</sub>	b <sub>2</sub>	b <sub>1</sub>	b <sub>0</sub>	Timer Clock	Carrier Frequency (Duty Ratio)
0	0	0	0	f <sub>x</sub> /64	f <sub>x</sub> /8 (Duty 1/2)
		0	1		f <sub>x</sub> /64 (Duty 1/2)
		1	0		f <sub>x</sub> /96 (Duty 1/2)
		1	1		f <sub>x</sub> /96 (Duty 1/3)
	1	×	×	Without carrier (high level)	
0	0	0	0	f <sub>x</sub> /128	f <sub>x</sub> /16 (Duty 1/2)
		0	1		f <sub>x</sub> /128 (Duty 1/2)
		1	0		f <sub>x</sub> /192 (Duty 1/2)
		1	1		f <sub>x</sub> /192 (Duty 1/3)
	1	×	×	Without carrier (high level)	

b<sub>4</sub> and b<sub>5</sub>: These bits specify the high-order 2 bits (DP<sub>8</sub> and DP<sub>9</sub>) of the ROM data pointer.

**Remark** ×: don’t care

### 3.4 Control Register 1 (P4)

Control register 1 consists of 8 bits. The contents that can be controlled are as shown below. When reset, this register becomes 0010 0110B.

**Table 3-6. Control Register 1 (P4)**

Bit		b <sub>7</sub>	b <sub>6</sub>	b <sub>5</sub>	b <sub>4</sub>	b <sub>3</sub>	b <sub>2</sub>	b <sub>1</sub>	b <sub>0</sub>
Name		—	—	K <sub>I</sub> Pull-down	S <sub>0</sub> /S <sub>1</sub> Pull-down	—	S <sub>1</sub> / $\overline{\text{LED}}$ mode	K <sub>I/O</sub> mode	S <sub>0</sub> mode
Set value	0	Fixed to 0	Fixed to 0	OFF	OFF	Fixed to "0"	S <sub>1</sub>	IN	OFF
	1			ON	ON		$\overline{\text{LED}}$	OUT	IN
After reset		0	0	1	0	0	1	1	0

- b<sub>0</sub>: Specifies the input mode of the S<sub>0</sub> port. "0" = OFF mode (high impedance); "1" = IN (input mode).
- b<sub>1</sub>: Specifies the I/O mode of the K<sub>I/O</sub> port.  
"0" = IN (input mode); "1" = OUT (output mode).
- b<sub>2</sub>: Specifies the I/O mode of the S<sub>1</sub>/ $\overline{\text{LED}}$  port. "0" = S<sub>1</sub> (input mode); "1" =  $\overline{\text{LED}}$  (output mode).
- b<sub>4</sub>: Specifies the connection of a pull-down resistor in S<sub>0</sub>/S<sub>1</sub> port input mode. "0" = OFF (not connected); "1" = ON (connected)
- b<sub>5</sub>: Specifies the connections of a pull-down resistor in K<sub>I</sub> port. "0" = OFF (not connected); "1" = ON (connected).

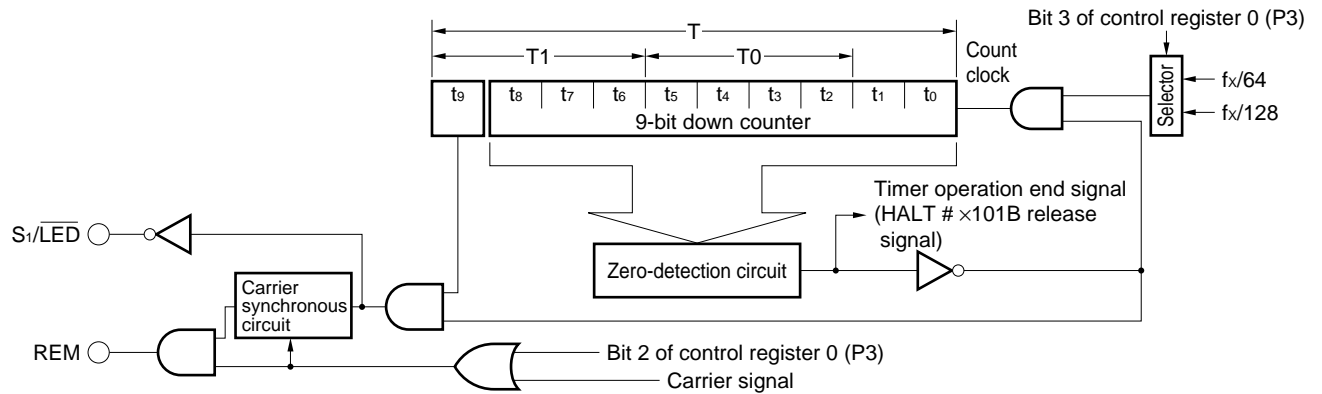
**Remark** In output mode or in OFF mode, all the pull-down resistors are automatically disconnected.

## 4. TIMER

### 4.1 Timer Configuration

The timer is the block used for creating a remote control transmission pattern. As shown in Figure 4-1, it consists of a 9-bit down counter ( $t_8$  to  $t_0$ ), a flag ( $t_9$ ) enabling 1-bit timer output, and a zero-detection circuit.

Figure 4-1. Timer Configuration



### 4.2 Timer Operation

The timer starts (counting down) when a value other than 0 is set for the down counter with a timer operation instruction. The timer operation instructions for making the timer start operation are shown below:

```
MOV T0, A
MOV T1, A
MOV T, #data10
MOV T, @R0
```

The down counter is decremented (-1) in the cycle of 64/fx or 128/fx<sup>Note</sup>. If the value of the down counter becomes 0, the zero-detection circuit generates the timer operation end signal to stop the timer operation. At this time, if the timer is in HALT mode (HALT #x101B) waiting for the timer to stop its operation, the HALT mode is canceled and the instruction following the HALT instruction is executed. The output of the timer operation end signal is continued while the down counter is 0 and the timer is stopped. There is the following relational expression between the timer's time and the down counter's set value.

$$\text{Timer time} = (\text{Set value} + 1) \times 64/\text{fx} \text{ (or } 128/\text{fx}^{\text{Note}})$$

**Note** This becomes 128/fx if bit 3 of the control register is set (to 1).

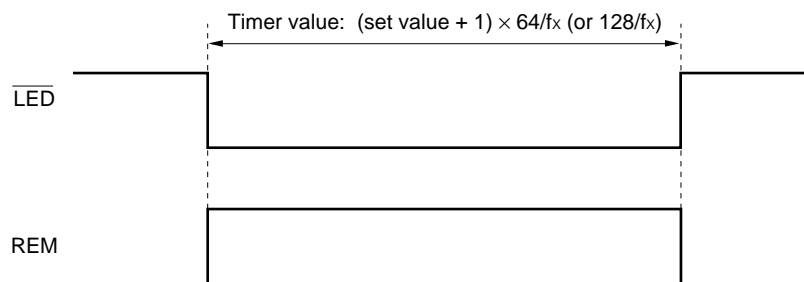
By setting 1 for the flag (t<sub>9</sub>) which enables the timer output, the timer can output its operation status from the S<sub>1</sub>/LED pin and the REM pin. The REM pin can also output the carrier while the timer is in operation.

**Table 4-1. Timer Output (at t<sub>9</sub> = 1)**

	S <sub>1</sub> /LED Pin	REM Pin
Timer operating	L	H (or carrier output <sup>Note</sup> )
Timer halting	H	L

**Note** The carrier output results if bit 2 of control register 0 is cleared (to 0).

**Figure 4-2. Timer Output (When Carrier Is Not Output)**

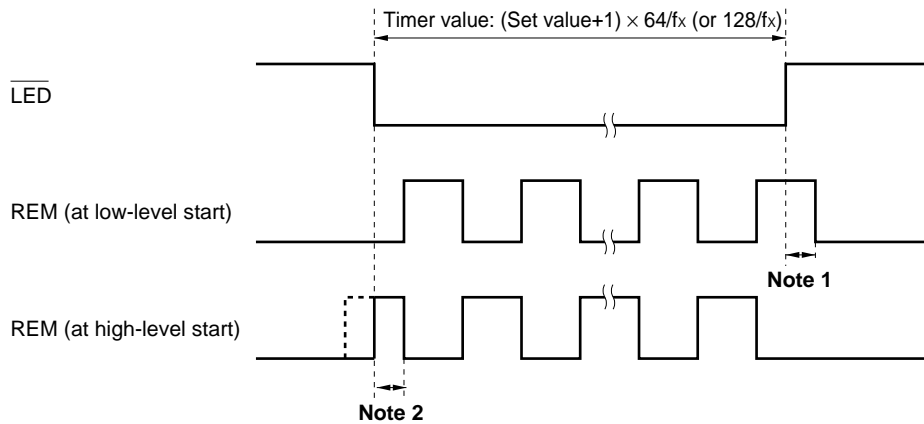


### 4.3 Carrier Output

The carrier for remote-controlled transmission can be output from the REM pin by clearing (to 0) bit 2 of control register 0.

As shown in Figure 4-3, in the case where the timer stops when the carrier is at a high level, the carrier continues to be output until its next fall and then stops due to the function of the carrier synchronous circuit. When the timer starts operation, however, the high-level width of the first carrier may be shorter than the specified width.

**Figure 4-3. Timer Output (When Carrier Is Output)**



- Notes**
1. Error when the REM output ends: Lead by “the carrier’s low-level width” to lag by “the carrier’s high-level width”
  2. Error of the carrier’s high-level width: 0 to “the carrier’s high-level width”

### 4.4 Software Control of Timer Output

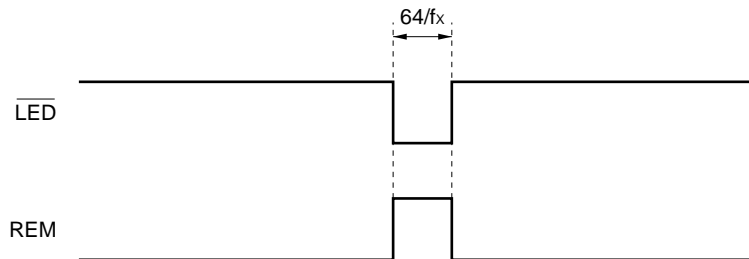
The timer output can be controlled by software. As shown in Figure 4-4, a pulse with a minimum width of 1-instruction cycle ( $64/f_x$ ) can be output.

**Figure 4-4. Pulse Output of 1-Instruction Cycle Width**

```

:
MOV T, #0000000000B; low-level output from the REM pin
:
MOV T, #1000000000B; high-level output from the REM pin
MOV T, #0000000000B; low-level output from the REM pin
:

```



## 5. STANDBY FUNCTION

### 5.1 Outline of Standby Function

To save current consumption, two types of standby modes, HALT mode and STOP mode, are made available.

In STOP mode, the system clock stops oscillation. At this time, the X<sub>IN</sub> and X<sub>OUT</sub> pins are fixed at a low level.

In HALT mode, CPU operation halts, while the system clock continues oscillating. When in HALT mode, the timer (including REM output and  $\overline{\text{LED}}$  output) operates.

In either STOP mode or HALT mode, the statuses of the data memory, accumulator, and port register, etc. immediately before the standby mode was set are retained. Therefore, make sure to set the port status for the system so that the current consumption of the whole system is suppressed before the standby mode is set.

**Table 5-1. Statuses During Standby Mode**

		STOP Mode	HALT Mode	
Setting instruction		HALT instruction		
Clock oscillation circuit		Oscillation stopped	Oscillation continues	
Operation statuses	CPU	• Operation halted		
	Data memory	• Immediately preceding status retained		
	Accumulator	• Immediately preceding status retained		
	Flag	F	• 0 (When 1, the flag is not placed in the standby mode.)	
		CY	• Immediately preceding status retained	
	Port register	• Immediately preceding status retained		
Timer	• Operation halted (The count value is reset to "0")	• Operable		

- Cautions**
1. Write the NOP instruction as the first instruction after STOP mode is canceled.
  2. When standby mode is canceled, the status flag (F) is set (to 1).
  3. If, at the point the standby mode has been set, its cancelation condition is met, then the system is not placed in the standby mode. However, the status flag (F) is set (1).

### 5.2 Standby Mode Setting and Release

The standby mode is set with the HALT #b3b2b1b0B instruction for both STOP mode and HALT mode. For the standby mode to be set, the status flag (F) is required to have been cleared (to 0).

The standby mode is released by the release condition specified by the reset ( $\overline{\text{RESET}}$  input; POC) or the HALT instruction operand. If the standby mode is released, the status flag (F) is set (to 1).

Even when the HALT instruction is executed in a state in which the status flag (F) has been set (to 1), the standby mode is not set. If the release condition is not met at this time, the status flag is cleared (to 0). If the release condition is met, the status flag remains set (to 1).

Even in the case when the release condition has already been met at the point that the HALT instruction is executed, the standby mode is not set. Here, also, the status flag (F) is set (to 1).

**Caution** Depending on the status of the status flag (F), the HALT instruction may not be executed. Be careful about this. For example, when setting HALT mode after checking the key status with the STTS instruction, because the system does not enter HALT mode as long as the status flag (F) remains set (to 1), sometimes an unintended operation is performed. In this case, the intended operation can be realized by executing the STTS instruction immediately after the timer setting to clear (to 0) the status flag.

```

Example  STTS    #03H    ;To check the Ki pin status.
           :
           MOV     T, #0xxH ;To set the timer
           STTS    #05H    ;To clear the status flag
           : (During this time, be sure not to execute an instruction that may set the status flag.)
           HALT   #05H    ;To set HALT mode
    
```

**Table 5-2. Addresses Executed After Standby Mode Release**

Release Condition	Address Executed After Release
Reset	0 address
Release condition shown in Table 5-3	The address following the HALT instruction

Table 5-3. Standby Mode Settings (HALT #b3b2b1b0B) and Release Conditions

Operand Value of HALT Instruction				Setting Mode	Setting Precondition	Release Condition
b3	b2	b1	b0			
0	0	0	0	STOP	All K <sub>I/O</sub> pins are high-level output.	High level input to at least one of K <sub>I</sub> pins.
	0	1	1	STOP	All K <sub>I/O</sub> pins are high-level output.	High level input to at least one of K <sub>I</sub> pins.
	1	1	0	STOP <sup>Note 1</sup>	The K <sub>I/O0</sub> pin is high-level output.	High level input to at least one of K <sub>I</sub> pins.
1	Any combination of b2b1b0 above			STOP	[The following condition is added in addition to the above.]	
					—	High level input to at least one of S <sub>0</sub> and S <sub>1</sub> pins <sup>Note 2</sup> .
0/1	1	0	1	HALT	—	When the timer's down counter is 0

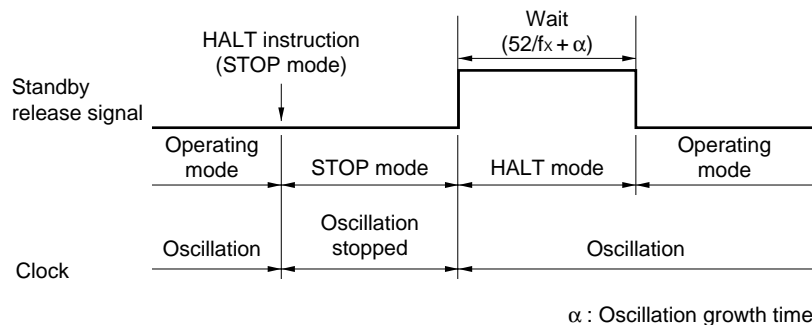
- Notes**
1. When setting HALT #×110B, configure a key matrix by using the K<sub>I/O0</sub> pin and the K<sub>I</sub> pin so that an internal reset takes effect at the time of program hang-up.
  2. At least one of the S<sub>0</sub> and S<sub>1</sub> pins (the pin used for releasing standby) must be in input mode. (Note that an internal reset does not take effect even when both pins are in output mode.)

- Cautions**
1. The internal reset takes effect when the HALT instruction is executed with an operand value other than that above or when the precondition has not been satisfied when executing the HALT instruction.
  2. If STOP mode is set when the timer's down counter is not 0 (timer operating), the system is placed in STOP mode only after all the 10 bits of the timer's down counter and the timer output permit flag are cleared to 0.
  3. Write the NOP instruction as the first instruction after STOP mode is released.

### 5.3 Standby Mode Release Timing

#### (1) STOP mode release timing

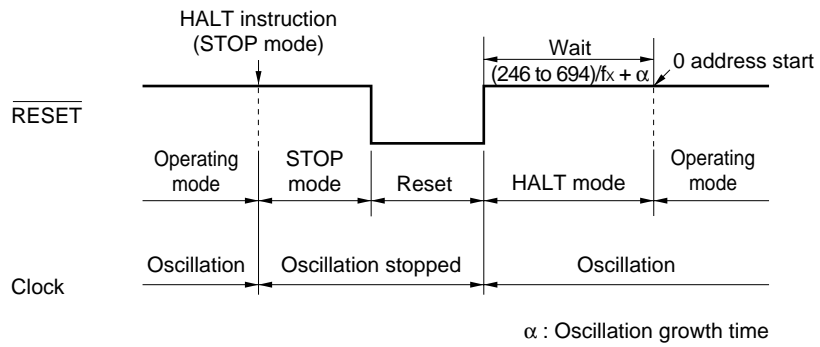
Figure 5-1. STOP Mode Cancellation by Release Condition



**Caution** When a release condition is established in the STOP mode, the device is released from the STOP mode, and goes into a wait state. At this time, if the release condition is not held, the device goes into STOP mode again after the wait time has elapsed. Therefore, when releasing the STOP mode, it is necessary to hold the release condition longer than the wait time.



Figure 5-2. STOP Mode Release by  $\overline{\text{RESET}}$  Input



(2) HALT mode release timing

Figure 5-3. HALT Mode Release by Cancellation Condition

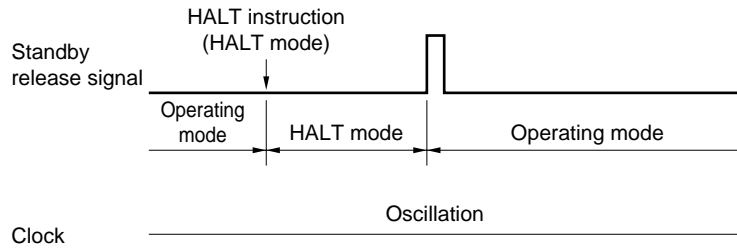
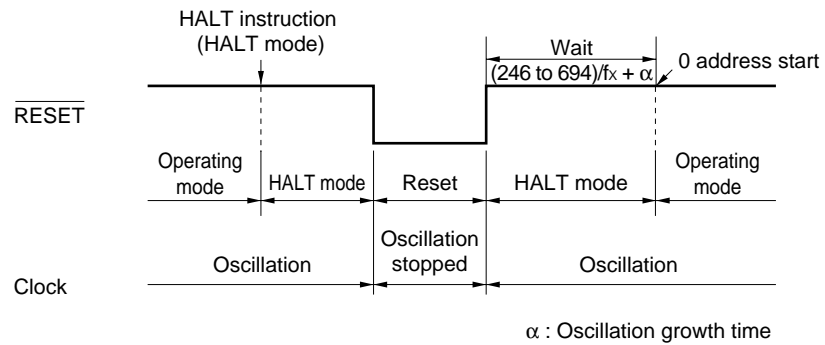


Figure 5-4. HALT Mode Release by  $\overline{\text{RESET}}$  Input



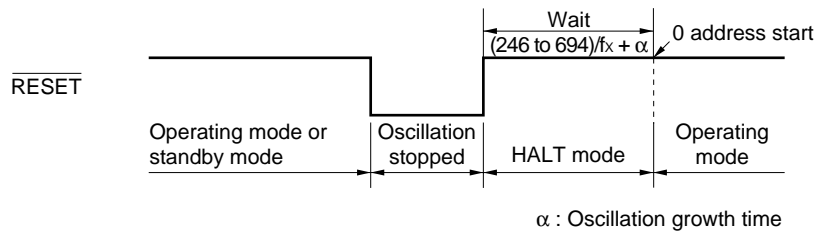
## 6. RESET PIN

The system reset takes effect by inputting a low level to the  $\overline{\text{RESET}}$  pin.

While the  $\overline{\text{RESET}}$  pin is at low level, the system clock oscillator is stopped and the X<sub>IN</sub> and X<sub>OUT</sub> pins are fixed to GND.

If the  $\overline{\text{RESET}}$  pin is raised from low level to high level, it executes the program from the 0 address after counting 246 to 694 of the system clock (f<sub>x</sub>).

Figure 6-1. Reset Operation by  $\overline{\text{RESET}}$  Input



The  $\overline{\text{RESET}}$  pin outputs a low level when the POC circuit (mask option) is in operation.

**Caution** When connecting a reset IC to the  $\overline{\text{RESET}}$  pin, be sure to connect an IC of the N-ch open drain output type.

Table 6-1. Hardware Statuses After Reset

Hardware	<ul style="list-style-type: none"> <li>• <math>\overline{\text{RESET}}</math> Input During Operation</li> <li>• Reset by Internal POC Circuit During Operation</li> <li>• Reset by Other Factors<sup>Note 1</sup></li> </ul>	<ul style="list-style-type: none"> <li>• <math>\overline{\text{RESET}}</math> Input in Standby Mode</li> <li>• Reset by Internal POC Circuit in Standby Mode</li> </ul>
PC (10 bits)	000H	
SP (1 bit)	0B	
Data memory	R0 = DP	000H
	R1-RF	Undefined
Accumulator (A)	Undefined	
Status flag (F)	0B	
Carry flag (CY)	0B	
Timer (10 bits)	000H	
Port register	P0	FFH
	P1	×FH <sup>Note 2</sup>
Control register	P3	03H
	P4	26H

**Notes** 1. The following resets are available.

- Reset when executing the HALT instruction (when the operand value is illegal or does not satisfy the precondition)
- Reset when executing the RLZ instruction (when A = 0)
- Reset by stack pointer's overflow or underflow

2. Refers to the value based on the K<sub>1</sub> pin status.

In order to prevent malfunction, be sure to input a low level to more than one of pins K<sub>10</sub> to K<sub>13</sub> when reset is released (when the  $\overline{\text{RESET}}$  pin changes from low level to high level, or POC is released due to supply voltage startup).

## 7. POC CIRCUIT (MASK OPTION)

The POC circuit monitors the power supply voltage and applies an internal reset in the microcontroller when the battery is replaced, etc. If the application circuit satisfies the following conditions, the POC circuit can be incorporated by the mask option.

- High reliability is not required.
- Clock frequency  $f_x = 2.4$  to 8 MHz
- Operating ambient temperature  $T_A = -40$  to  $+85^\circ\text{C}$

**Cautions** 1. The one-time PROM product ( $\mu$ PD6P4B) already contains the POC circuit.

2. There are cases in which the POC circuit cannot detect a low power supply voltage of less than 1 ms. Therefore, if the power supply voltage has become low for a period of less than 1 ms, the POC circuit may malfunction because it does not generate an internal reset signal.
3. Clock oscillation is stopped by the resonator due to low power supply voltage before the POC circuit generates the internal reset signal. In this case, malfunction may result, for example when the power supply voltage is recovered after the oscillation is stopped. This type of phenomenon takes place because the POC circuit does not generate an internal reset signal (because the power supply voltage recovers before the low power supply voltage is detected) even though the clock has stopped. If, by any chance, a malfunction has taken place, remove the battery for a short time and put it back. In most cases, normal operation will be resumed.
4. If the application circuit does not satisfy the conditions above, design the application circuit so that the reset takes effect without failure within the power supply voltage range by means of an external reset circuit.
5. In order to prevent malfunction, be sure to input a low level to more than one of pins  $K_{10}$  to  $K_{13}$  when reset is released (when the  $\overline{\text{RESET}}$  pin changes from low level to high level, or POC is released due to supply voltage startup).

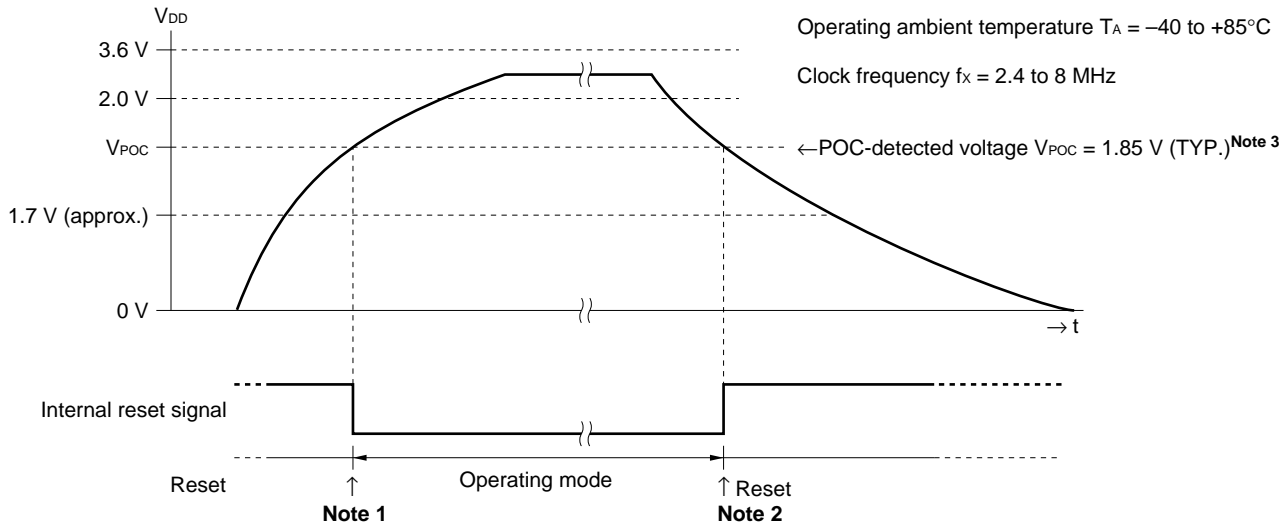
- Remarks**
1. It is recommended that the POC circuit be incorporated when the application circuit is an infrared remote-control transmitter for household appliances.
  2. Even when a POC circuit is incorporated, the externally input  $\overline{\text{RESET}}$  is valid with the OR condition; therefore, the POC circuit and the  $\overline{\text{RESET}}$  input can be used at the same time. However, if the POC circuit detects a low power supply voltage, the  $\overline{\text{RESET}}$  pin will be forced to low level; therefore, use an N-ch open drain output or NPN open collector output for the external reset circuit.

### 7.1 Functions of POC Circuit

The POC circuit has the following functions:

- Generating an internal reset signal when  $V_{DD} \leq V_{POC}$ .
- Canceling an internal reset signal when  $V_{DD} > V_{POC}$ .

Here,  $V_{DD}$ : power supply voltage,  $V_{POC}$ : POC-detected voltage.



- Notes**
1. In reality, oscillation stabilization wait time must elapse before the circuit is switched to operating mode. The oscillation stabilization wait time is about  $252/f_x$  to  $700/f_x$  (about 70 to 190  $\mu\text{s}$ : when  $f_x = 3.64$  MHz).
  2. For the POC circuit to generate an internal reset signal when the power supply voltage has fallen, it is necessary for the power supply voltage to be kept less than the  $V_{POC}$  for a period of 1 ms or more. Therefore, in reality, there is a time lag of up to 1 ms until the reset takes effect.
  3. The POC-detected voltage ( $V_{POC}$ ) varies between about 1.7 to 2.0 V; thus, the reset may be canceled at a power supply voltage smaller than the assured range ( $V_{DD} = 2.0$  to  $3.6$  V). However, as long as the conditions for operating the POC circuit are met, the actual lowest operating power supply voltage becomes lower than the POC-detected voltage. Therefore, there is no malfunction occurring due to the shortage of power supply voltage. However, malfunction for such reasons as the clock not oscillating due to low power supply voltage may occur (refer to **Cautions 3.** in **7. POC CIRCUIT**).

### 7.2 Oscillation Check at Low Supply Voltage

A reliable reset operation can be expected of the POC circuit if it satisfies the condition that the clock can oscillate even at low power supply voltage (the oscillation start voltage of the resonator being even lower than the POC-detected voltage). Whether this condition is met or not can be checked by measuring the oscillation status on a product which actually contains a POC circuit, as follows.

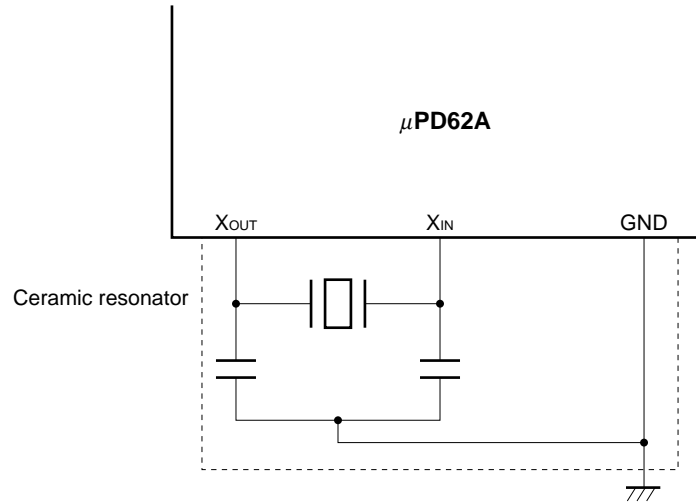
- <1> Connect a storage oscilloscope to the  $X_{OUT}$  pin so that the oscillation status can be measured.
- <2> Connect a power supply whose output voltage can be varied and then gradually raise the power supply voltage  $V_{DD}$  from 0 V (making sure to avoid  $V_{DD} > 3.6$  V).

At first (during  $V_{DD} < 1.7$  V (approx.)), the  $X_{OUT}$  pin is 0 V regardless of the  $V_{DD}$ . However, at the point that  $V_{DD}$  reaches the POC-detected voltage ( $V_{POC} = 1.85$  V (TYP.)), the voltage of the  $X_{OUT}$  pin jumps to about 0.5  $V_{DD}$ . Maintain this power supply voltage for a while to measure the waveform of the  $X_{OUT}$  pin. If, by any chance, the oscillation start voltage of the resonator is lower than the POC-detected voltage, the growing oscillation of the  $X_{OUT}$  pin can be confirmed within several ms after the  $V_{DD}$  has reached the  $V_{POC}$ .

## 8. SYSTEM CLOCK OSCILLATOR

The system clock oscillator configuration consists of a ceramic resonator oscillation circuit ( $f_x = 2.4$  to 8 MHz).

Figure 8-1. System Clock



The system clock oscillator stops its oscillation when reset or in STOP mode.

**Caution** When using the system clock oscillator, wire as follows in the area enclosed by the broken lines in the above figure to avoid an adverse effect from wiring capacitance.

- Keep the wiring length as short as possible.
- Do not cross the wiring with the other signal lines. Do not route the wire near a signal line through which a high fluctuating current flows.
- Always make the ground point of the oscillator capacitor the same potential as the ground. Do not ground the capacitor to a ground pattern through which a high current flows.
- Do not fetch signals from the oscillator.

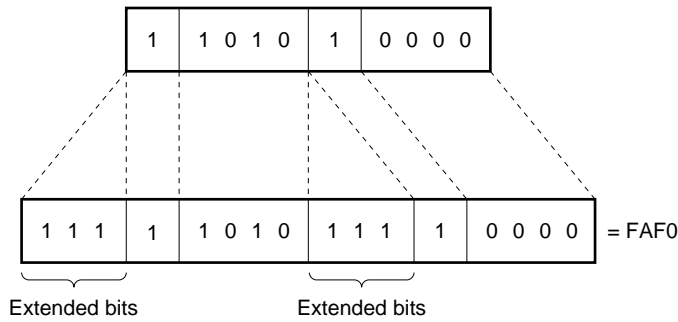
9. INSTRUCTION SET

9.1 Machine Language Output by Assembler

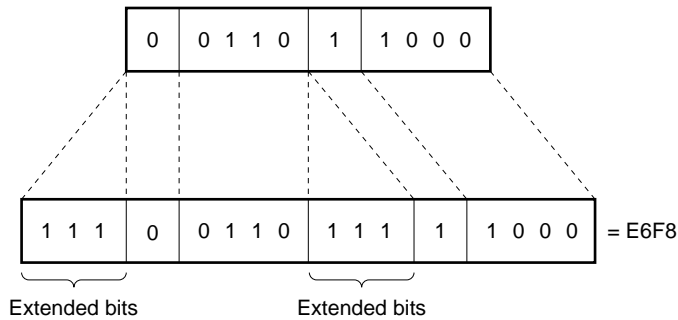
The bit length of the machine language of this product is 10 bits per word. However, the machine language that is output by the assembler is extended to 16 bits per word. As shown in the example below, the extension is made by inserting 3-bit extended bits (111) in two locations.

Figure 9-1. Example of Assembler Output (10 Bits Extended to 16 Bits)

<1> In the case of "ANL A, @R0H"



<2> In the case of "OUT P0, #data8"



## 9.2 Circuit Symbol Description

A:	Accumulator
ASR:	Address Stack Register
addr:	Program memory address
CY:	Carry flag
data4:	4-bit immediate data
data8:	8-bit immediate data
data10:	10-bit immediate data
F:	Status flag
PC:	Program Counter
Pn:	Port register pair (n = 0, 1, 3, 4)
P0n:	Port register (low-order 4 bits)
P1n:	Port register (high-order 4 bits)
ROMn:	Bit n of the program memory's (n = 0 to 9)
Rn:	Register pair
R0n:	Data memory (General-purpose register; n = 0 to F)
R1n:	Data memory (General-purpose register; n = 0 to F)
SP:	Stack Pointer
T:	Timer register
T0:	Timer register (low-order 4 bits)
T1:	Timer register (high-order 4 bits)
(×):	Content addressed with ×

9.3 Mnemonic to/from Machine Language (Assembler Output) Contrast Table

Accumulator Operation Instructions

Mnemonic	Operand	Instruction Code			Operation	Instruction Length	Instruction Cycle
		1st Word	2nd Word	3rd Word			
ANL	A, R0n	FBE <sub>n</sub>			$(A) \leftarrow (A) \wedge (R_{mn}) \quad m = 0, 1 \quad n = 0 \text{ to } F$	1	1
	A, R1n	FAE <sub>n</sub>			$CY \leftarrow A_3 \cdot R_{mn_3}$		
	A, @R0H	FAF0			$(A) \leftarrow (A) \wedge ((P13), (R0))_{7-4}$ $CY \leftarrow A_3 \cdot ROM_7$		
	A, @R0L	FBF0			$(A) \leftarrow (A) \wedge ((P13), (R0))_{3-0}$ $CY \leftarrow A_3 \cdot ROM_3$		
	A, #data4	FBF1	data4		$(A) \leftarrow (A) \wedge \text{data4}$ $CY \leftarrow A_3 \cdot \text{data4}_3$	2	
ORL	A, R0n	FDE <sub>n</sub>			$(A) \leftarrow (A) \vee (R_{mn}) \quad m = 0, 1 \quad n = 0 \text{ to } F$	1	
	A, R1n	FCE <sub>n</sub>			$CY \leftarrow 0$		
	A, @R0H	FCF0			$(A) \leftarrow (A) \vee ((P13), (R0))_{7-4}$ $CY \leftarrow 0$		
	A, @R0L	FDF0			$(A) \leftarrow (A) \vee ((P13), (R0))_{3-0}$ $CY \leftarrow 0$		
	A, #data4	FDF1	data4		$(A) \leftarrow (A) \vee \text{data4}$ $CY \leftarrow 0$	2	
XRL	A, R0n	F5E <sub>n</sub>			$(A) \leftarrow (A) \nabla (R_{mn}) \quad m = 0, 1 \quad n = 0 \text{ to } F$	1	
	A, R1n	F4E <sub>n</sub>			$CY \leftarrow A_3 \cdot R_{mn_3}$		
	A, @R0H	F4F0			$(A) \leftarrow (A) \nabla ((P13), (R0))_{7-4}$ $CY \leftarrow A_3 \cdot ROM_7$		
	A, @R0L	F5F0			$(A) \leftarrow (A) \nabla ((P13), (R0))_{3-0}$ $CY \leftarrow A_3 \cdot ROM_3$		
	A, #data4	F5F1	data4		$(A) \leftarrow (A) \nabla \text{data4}$ $CY \leftarrow A_3 \cdot \text{data4}_3$	2	
INC	A	F4F3			$(A) \leftarrow (A) + 1$ if (A) = 0 CY ← 1 else CY ← 1	1	
RL	A	FCF3			$(A_{n+1}) \leftarrow (A_n), (A_0) \leftarrow (A_3)$ $CY \leftarrow A_3$		
RLZ	A	FEF3			if A = 0 reset else $(A_{n+1}) \leftarrow (A_n), (A_0) \leftarrow (A_3)$ $CY \leftarrow A_3$		



**Input/output Instructions**

Mnemonic	Operand	Instruction Code			Operation	Instruction Length	Instruction Cycle
		1st Word	2nd Word	3rd Word			
IN	A, P0n	FFF8 + n	—	—	(A) ← (Pmn) m = 0, 1 n = 0, 1, 3, 4	1	1
	A, P1n	FEF8 + n	—	—	CY ← 0		
OUT	P0n, A	E5F8 + n	—	—	(Pmn) ← (A) m = 0, 1 n = 0, 1, 3, 4	1	1
	P1n, A	E4F8 + n	—	—			
ANL	A, P0n	FBF8 + n	—	—	(A) ← (A) ∧ (Pmn) m = 0, 1 n = 0, 1, 3, 4	1	1
	A, P1n	FAF8 + n	—	—	CY ← A <sub>3</sub> • Pmn <sub>3</sub>		
ORL	A, P0n	fdf8 + n	—	—	(A) ← (A) ∨ (Pmn) m = 0, 1 n = 0, 1, 3, 4	1	1
	A, P1n	FCF8 + n	—	—	CY ← 0		
XRL	A, P0n	F5F8 + n	—	—	(A) ← (A) ⊕ (Pmn) m = 0, 1 n = 0, 1, 3, 4	1	1
	A, P1n	F4F8 + n	—	—	CY ← A <sub>3</sub> • Pmn <sub>3</sub>		

Mnemonic	Operand	Instruction Code			Operation	Instruction Length	Instruction Cycle
		1st Word	2nd Word	3rd Word			
OUT	Pn, #data8	E6F8 + n	data8		(Pn) ← data8 n = 0, 1, 3, 4	2	1

**Remark** Pn: P1n to P0n are dealt with in pairs.

**Data Transfer Instruction**

Mnemonic	Operand	Instruction Code			Operation	Instruction Length	Instruction Cycle
		1st Word	2nd Word	3rd Word			
MOV	A, R0n	FFEn			(A) ← (Rmn) m = 0, 1 n = 0 to F	1	1
	A, R1n	FEEEn			CY ← 0		
	A, @R0H	FEF0			(A) ← ((P13), (R0)) <sub>7-4</sub> CY ← 0		
	A, @R0L	FFF0			(A) ← ((P13), (R0)) <sub>3-0</sub> CY ← 0	2	1
	A, #data4	FFF1	data4		(A) ← data4 CY ← 0		
	R0n, A	E5En			(Rmn) ← (A) m = 0, 1 n = 0 to F	1	1
	R1n, A	E4En					

Mnemonic	Operand	Instruction Code			Operation	Instruction Length	Instruction Cycle
		1st Word	2nd Word	3rd Word			
MOV	Rn, #data8	E6En	data8	—	(R1n-R0n) ← data8 n = 0 to F	2	1
	Rn, @R0	E7En	—	—	(R1n-R0n) ← ((P13), (R0)) n = 1 to F	1	1

**Remark** Rn: R1n to R0n are dealt with in pairs.

**Branch Instructions**

Mnemonic	Operand	Instruction Code			Operation	Instruction Length	Instruction Cycle	
		1st Word	2nd Word	3rd Word				
JMP	addr (Page 0)	E8F1	addr		PC ← addr	2	1	
	addr (Page 1)	E9F1	addr					
JC	addr (Page 0)	ECF1	addr					if CY = 1 PC ← addr
	addr (Page 1)	EAF1	addr					else PC ← PC + 2
JNC	addr (Page 0)	EDF1	addr					if CY = 0 PC ← addr
	addr (Page 1)	EBF1	addr					else PC ← PC + 2
JF	addr (Page 0)	EEF1	addr		if F = 1 PC ← addr			
	addr (Page 1)	F0F1	addr		else PC ← PC + 2			
JNF	addr (Page 0)	EFF1	addr		if F = 0 PC ← addr			
	addr (Page 1)	F1F1	addr		else PC ← PC + 2			

**Caution** 0 and 1, which refer to PAGE0 and 1, are not written when describing mnemonics.

**Subroutine Instructions**

Mnemonic	Operand	Instruction Code			Operation	Instruction Length	Instruction Cycle
		1st Word	2nd Word	3rd Word			
CALL	addr (Page 0)	E6F2	E8F1	addr	SP ← SP + 1, ASR ← PC, PC ← addr	3	2
	addr (Page 1)	E6F2	E9F1	addr			
RET		E8F2			PC ← ASR, SP ← SP - 1	1	1

**Caution** 0 and 1, which refer to PAGE0 and 1, are not written when describing mnemonics.

**Timer Operation Instructions**

Mnemonic	Operand	Instruction Code			Operation	Instruction Length	Instruction Cycle
		1st Word	2nd Word	3rd Word			
MOV	A, T0	FFFF			(A) ← (Tn) n = 0, 1	1	1
	A, T1	FEFF			CY ← 0		
	T0, A	E5FF			(Tn) ← (A) n = 0, 1		
	T1, A	F4FF			(T) n ← 0		

Mnemonic	Operand	Instruction Code			Operation	Instruction Length	Instruction Cycle
		1st Word	2nd Word	3rd Word			
MOV	T, #data10	E6FF	data10		(T) ← data10	1	1
	T, @R0	F4FF			(T) ← ((P13), (R0))		

Others

Mnemonic	Operand	Instruction Code			Operation	Instruction Length	Instruction Cycle
		1st Word	2nd Word	3rd Word			
HALT	#data4	E2F1	data4		Standby mode	2	1
STTS	#data4	E3F1	data4		If statuses match $F \leftarrow 1$ else $F \leftarrow 0$		
	R0n	E3En			If statuses match $F \leftarrow 1$ else $F \leftarrow 0$ $n = 0$ to $F$		
SCAF		FAF3			If $A = 0FH$ $CY \leftarrow 1$ else $CY \leftarrow 0$		
NOP		E0E0			$PC \leftarrow PC + 1$		

### 9.4 Accumulator Operation Instructions

**ANL A, R0n**

**ANL A, R1n**

- <1> Instruction code: 

1	1	0	1	R <sub>4</sub>	0	R <sub>3</sub>	R <sub>2</sub>	R <sub>1</sub>	R <sub>0</sub>
---	---	---	---	----------------	---	----------------	----------------	----------------	----------------
- <2> Cycle count: 1
- <3> Function:  $(A) \leftarrow (A) \wedge (R_{mn}) \quad m = 0, 1 \quad n = 0 \text{ to } F$   
 $CY \leftarrow A_3 \cdot R_{mn3}$

The accumulator contents and the register Rmn contents are ANDed and the results are entered in the accumulator.

**ANL A, @R0H**

**ANL A, @R0L**

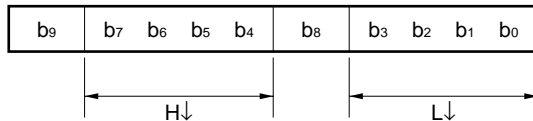
- <1> Instruction code: 

1	1	0	1	0/1	1	0	0	0	0
---	---	---	---	-----	---	---	---	---	---
- <2> Cycle count: 1
- <3> Function:  $(A) \leftarrow (A) \wedge ((P13), (R0))_{7-4}$  (in the case of ANL A, @R0H)  
 $CY \leftarrow A_3 \cdot ROM_7$   
 $(A) \leftarrow (A) \wedge ((P13), (R0))_{3-0}$  (in the case of ANL A, @R0L)  
 $CY \leftarrow A_3 \cdot ROM_3$

The accumulator contents and the program memory contents specified with the control register P13 and register pair R10-R00 are ANDed and the results are entered in the accumulator.

If H is specified, b7, b6, b5, and b4 take effect. If L is specified, b3, b2, b1, and b0 take effect.

• **Program memory (ROM) organization**



Valid bits at the time of accumulator operation

**ANL A, #data4**

- <1> Instruction code: 

1	1	0	1	1	1	0	0	0	1
0	0	0	0	0	0	d <sub>3</sub>	d <sub>2</sub>	d <sub>1</sub>	d <sub>0</sub>
- <2> Cycle count: 1
- <3> Function:  $(A) \leftarrow (A) \wedge \text{data4}$   
 $CY \leftarrow A_3 \cdot \text{data4}_3$

The accumulator contents and the immediate data are ANDed and the results are entered in the accumulator.

**ORL A, R0n**

**ORL A, R1n**

- <1> Instruction code: 

1	1	1	0	R <sub>4</sub>	0	R <sub>3</sub>	R <sub>2</sub>	R <sub>1</sub>	R <sub>0</sub>
---	---	---	---	----------------	---	----------------	----------------	----------------	----------------
- <2> Cycle count: 1
- <3> Function:  $(A) \leftarrow (A) \vee (R_{mn}) \quad m = 0, 1 \quad n = 0 \text{ to } F$   
CY ← 0

The accumulator contents and the register Rmn contents are ORed and the results are entered in the accumulator.

**ORL A, @R0H**

**ORL A, @R0L**

- <1> Instruction code: 

1	1	1	0	0	1	1	0	0	0	0
---	---	---	---	---	---	---	---	---	---	---
- <2> Cycle count: 1
- <3> Function:  $(A) \leftarrow (A) \vee (P13), (R0))_{7-4}$  (in the case of ORL A, @R0H)  
 $(A) \leftarrow (A) \vee (P13), (R0))_{3-0}$  (in the case of ORL A, @R0L)  
CY ← 0

The accumulator contents and the program memory contents specified with the control register P13 and register pair R10-R00 are ORed and the results are entered in the accumulator.

If H is specified, b7, b6, b5, and b4 take effect. If L is specified, b3, b2, b1, and b0 take effect.

**ORL A, #data4**

- <1> Instruction code: 

1	1	1	0	1	1	0	0	0	1
0	0	0	0	0	0	d <sub>3</sub>	d <sub>2</sub>	d <sub>1</sub>	d <sub>0</sub>
- <2> Cycle count: 1
- <3> Function:  $(A) \leftarrow (A) \vee \text{data4}$   
CY ← 0

The accumulator contents and the immediate data are exclusive-ORed and the results are entered in the accumulator.

**XRL A, R0n**

**XRL A, R1n**

- <1> Instruction code: 

1	0	1	0	R <sub>4</sub>	0	R <sub>3</sub>	R <sub>2</sub>	R <sub>1</sub>	R <sub>0</sub>
---	---	---	---	----------------	---	----------------	----------------	----------------	----------------
- <2> Cycle count: 1
- <3> Function:  $(A) \leftarrow (A) \nabla (R_{mn}) \quad m = 0, 1 \quad n = 0 \text{ to } F$   
CY ← A<sub>3</sub> • Rmn<sub>3</sub>

The accumulator contents and the register Rmn contents are ORed and the results are entered in the accumulator.

**XRL A, @R0H**

**XRL A, @R0L**

<1> Instruction code: 

1	0	1	0	0	1	1	0	0	0	0
---	---	---	---	---	---	---	---	---	---	---

<2> Cycle count: 1

<3> Function:  $(A) \leftarrow (A) \vee ((P13), (R0))_{7-4}$  (in the case of XRL A, @R0H)  
 $CY \leftarrow A_3 \cdot ROM_7$   
 $(A) \leftarrow (A) \vee ((P13), (R0))_{3-0}$  (in the case of XRL A, @R0L)  
 $CY \leftarrow A_3 \cdot ROM_3$

The accumulator contents and the program memory contents specified with the control register P13 and register pair R<sub>10</sub>-R<sub>00</sub> are exclusive-ORed and the results are entered in the accumulator. If H is specified, b<sub>7</sub>, b<sub>6</sub>, b<sub>5</sub>, and b<sub>4</sub> take effect. If L is specified, b<sub>3</sub>, b<sub>2</sub>, b<sub>1</sub>, and b<sub>0</sub> take effect.

**XRL A, #data4**

<1> Instruction code: 

1	0	1	0	1	1	0	0	0	1
0	0	0	0	0	0	d <sub>3</sub>	d <sub>2</sub>	d <sub>1</sub>	d <sub>0</sub>

<2> Cycle count: 1

<3> Function:  $(A) \leftarrow (A) \vee data4$   
 $CY \leftarrow A_3 \cdot data4_3$

The accumulator contents and the immediate data are exclusive-ORed and the results are entered in the accumulator.

**INC A**

<1> Instruction code: 

1	0	1	0	0	1	0	0	1	1
---	---	---	---	---	---	---	---	---	---

<2> Cycle count: 1

<3> Function:  $(A) \leftarrow (A) + 1$   
 If  $A = 0$   $CY \leftarrow 1$   
 else  $CY \leftarrow 0$

The accumulator contents are incremented (+1).

**RL A**

<1> Instruction code: 

1	1	1	0	0	1	0	0	1	1
---	---	---	---	---	---	---	---	---	---

<2> Cycle count: 1

<3> Function:  $(A_{n+1}) \leftarrow (A_n), (A_0) \leftarrow (A_3)$   
 $CY \leftarrow A_3$

The accumulator contents are rotated anticlockwise bit by bit.

**RLZ A**

<1> Instruction code: 

1	1	1	1	0	1	0	0	1	1
---	---	---	---	---	---	---	---	---	---

<2> Cycle count: 1

<3> Function: If  $A = 0$  reset  
 else  $(A_{n+1}) \leftarrow (A_n), (A_0) \leftarrow (A_3)$   
 $CY \leftarrow A_3$

The accumulator contents are rotated anticlockwise bit by bit.

**If A = 0H at the time of command execution, an internal reset takes effect.**

### 9.5 Input/Output Instructions

**IN A, P0n**

**IN A, P1n**

- <1> Instruction code: 

1	1	1	1	P <sub>4</sub>	1	1	P <sub>2</sub>	P <sub>1</sub>	P <sub>0</sub>
---	---	---	---	----------------	---	---	----------------	----------------	----------------
- <2> Cycle count: 1
- <3> Function:  $(A) \leftarrow (P_{mn}) \quad m = 0, 1 \quad n = 0, 1, 3, 4$   
CY ← 0

The port Pmn data is loaded (read) onto the accumulator.

**OUT P0n, A**

**OUT P1n, A**

- <1> Instruction code: 

0	0	1	0	P <sub>4</sub>	1	1	P <sub>2</sub>	P <sub>1</sub>	P <sub>0</sub>
---	---	---	---	----------------	---	---	----------------	----------------	----------------
- <2> Cycle count: 1
- <3> Function:  $(P_{mn}) \leftarrow (A) \quad m = 0, 1 \quad n = 0, 1, 3, 4$

The accumulator contents are transferred to port Pmn to be latched.

**ANL A, P0n**

**ANL A, P1n**

- <1> Instruction code: 

1	1	0	1	P <sub>4</sub>	1	1	P <sub>2</sub>	P <sub>1</sub>	P <sub>0</sub>
---	---	---	---	----------------	---	---	----------------	----------------	----------------
- <2> Cycle count: 1
- <3> Function:  $(A) \leftarrow (A) \wedge (P_{mn}) \quad m = 0, 1 \quad n = 0, 1, 3, 4$   
CY ← A<sub>3</sub> • Pmn

The accumulator contents and the port Pmn contents are ANDed and the results are entered in the accumulator.

**ORL A, P0n**

**ORL A, P1n**

- <1> Instruction code: 

1	1	1	0	P <sub>4</sub>	1	1	P <sub>2</sub>	P <sub>1</sub>	P <sub>0</sub>
---	---	---	---	----------------	---	---	----------------	----------------	----------------
- <2> Cycle count: 1
- <3> Function:  $(A) \leftarrow (A) \vee (P_{mn}) \quad m = 0, 1 \quad n = 0, 1, 3, 4$   
CY ← 0

The accumulator contents and the port Pmn contents are ORed and the results are entered in the accumulator.

**XRL A, P0n**

**XRL A, P1n**

- <1> Instruction code: 

1	0	1	0	P <sub>4</sub>	1	1	P <sub>2</sub>	P <sub>1</sub>	P <sub>0</sub>
---	---	---	---	----------------	---	---	----------------	----------------	----------------
- <2> Cycle count: 1
- <3> Function:  $(A) \leftarrow (A) \nabla (P_{mn}) \quad m = 0, 1 \quad n = 0, 1, 3, 4$   
CY ← A<sub>3</sub> • Pmn

The accumulator contents and the port Pmn contents are exclusive-ORed and the results are entered in the accumulator.

**OUT Pn, #data8**

<1> Instruction code: 

0	0	1	1	0	1	1	P <sub>2</sub>	P <sub>1</sub>	P <sub>0</sub>
---	---	---	---	---	---	---	----------------	----------------	----------------

  
 : 

0	d <sub>7</sub>	d <sub>6</sub>	d <sub>5</sub>	d <sub>4</sub>	0	d <sub>3</sub>	d <sub>2</sub>	d <sub>1</sub>	d <sub>0</sub>
---	----------------	----------------	----------------	----------------	---	----------------	----------------	----------------	----------------

<2> Cycle count: 1  
 <3> Function: (Pn) ← data8 n = 0, 1, 3, 4

The immediate data is transferred to port Pn. In this case, port Pn refers to P<sub>1n</sub>-P<sub>0n</sub> operating in pairs.

**9.6 Data Transfer Instruction**

**MOV A, R0n**

**MOV A, R1n**

<1> Instruction code: 

1	1	1	1	R <sub>4</sub>	0	R <sub>3</sub>	R <sub>2</sub>	R <sub>1</sub>	R <sub>0</sub>
---	---	---	---	----------------	---	----------------	----------------	----------------	----------------

  
 <2> Cycle count: 1  
 <3> Function: (A) ← (Rmn) m = 0, 1 n = 0 to F  
 CY ← 0

The register Rmn contents are transferred to the accumulator.

**MOV A, @R0H**

<1> Instruction code: 

1	1	1	1	0	1	0	0	0	0
---	---	---	---	---	---	---	---	---	---

  
 <2> Cycle count: 1  
 <3> Function: (A) ← ((P13), (R0))<sub>7-4</sub>  
 CY ← 0

The high-order 4 bits (b<sub>7</sub> b<sub>6</sub> b<sub>5</sub> b<sub>4</sub>) of the program memory specified with control register P13 and register pair R<sub>10</sub>-R<sub>00</sub> are transferred to the accumulator. b<sub>9</sub> is ignored.

**MOV A, @R0L**

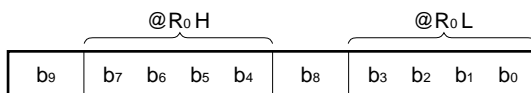
<1> Instruction code: 

1	1	1	1	1	1	0	0	0	0
---	---	---	---	---	---	---	---	---	---

  
 <2> Cycle count: 1  
 <3> Function: (A) ← ((P13), (R0))<sub>3-0</sub>  
 CY ← 0

The low-order 4 bits (b<sub>3</sub> b<sub>2</sub> b<sub>1</sub> b<sub>0</sub>) of the program memory specified with control register P13 and register pair R<sub>10</sub>-R<sub>00</sub> are transferred to the accumulator. b<sub>8</sub> is ignored.

• **Program memory (ROM) contents**



**MOV A, #data4**

<1> Instruction code: 

1	1	1	1	1	1	0	0	0	1
---	---	---	---	---	---	---	---	---	---

  
 : 

0	0	0	0	0	0	d <sub>3</sub>	d <sub>2</sub>	d <sub>1</sub>	d <sub>0</sub>
---	---	---	---	---	---	----------------	----------------	----------------	----------------

<2> Cycle count: 1  
 <3> Function: (A) ← data4  
 CY ← 0

The immediate data is transferred to the accumulator.



**MOV R0n, A**

**MOV R1n, A**

<1> Instruction code: 

0	0	1	0	R <sub>n</sub>	0	R <sub>3</sub>	R <sub>2</sub>	R <sub>1</sub>	R <sub>0</sub>
---	---	---	---	----------------	---	----------------	----------------	----------------	----------------

<2> Cycle count: 1

<3> Function: (R<sub>m</sub>n) ← (A) m = 0, 1 n = 0 to F

The accumulator contents are transferred to register R<sub>m</sub>n.

**MOV Rn, #data8**

<1> Instruction code: 

0	0	1	0	0	R <sub>3</sub>	R <sub>2</sub>	R <sub>1</sub>	R <sub>0</sub>
---	---	---	---	---	----------------	----------------	----------------	----------------

  
: 

0	d <sub>7</sub>	d <sub>6</sub>	d <sub>5</sub>	d <sub>4</sub>	0	d <sub>3</sub>	d <sub>2</sub>	d <sub>1</sub>	d <sub>0</sub>
---	----------------	----------------	----------------	----------------	---	----------------	----------------	----------------	----------------

<2> Cycle count: 1

<3> Function: (R<sub>1</sub>n-R<sub>0</sub>n) ← data8 n = 0 to F

The immediate data is transferred to the register. Using this instruction, registers operate as register pairs.

The pair combinations are as follows:

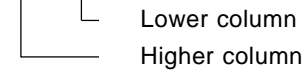
R<sub>0</sub> : R<sub>10</sub> - R<sub>00</sub>

R<sub>1</sub> : R<sub>11</sub> - R<sub>01</sub>

:

R<sub>E</sub> : R<sub>1E</sub> - R<sub>0E</sub>

R<sub>F</sub> : R<sub>1F</sub> - R<sub>0F</sub>



**MOV Rn, @R0**

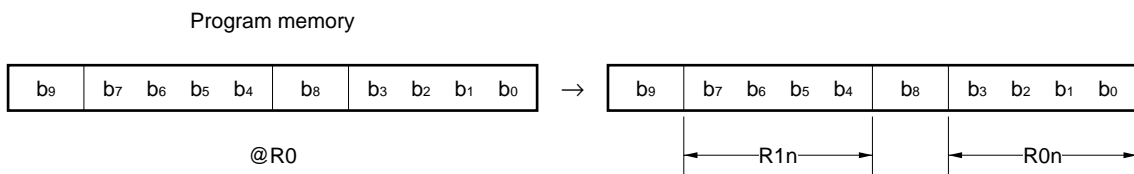
<1> Instruction code: 

0	0	1	1	0	R <sub>3</sub>	R <sub>2</sub>	R <sub>1</sub>	R <sub>0</sub>
---	---	---	---	---	----------------	----------------	----------------	----------------

<2> Cycle count: 1

<3> Function: (R<sub>1</sub>n-R<sub>0</sub>n) ← ((P13), R<sub>0</sub>) n = 1 to F

The program memory contents specified with control register P13 and register pair R<sub>10</sub>-R<sub>00</sub> are transferred to register pair R<sub>1</sub>n-R<sub>0</sub>n. The program memory consists of 10 bits and has the following state after the transfer to the register.



The high-order 2 bits of the program memory address is specified with the control register (P13).

### 9.7 Branch Instructions

The program memory consists of pages in steps of 1K (000H to 3FFH). However, as the assembler automatically performs page optimization, it is unnecessary to designate pages. The pages allowed for each product are as follows.

μPD62A (ROM: 0.5 K steps): page 0  
 μPD6P4B (PROM: 1 K steps) : page 0

#### JMP addr

<1> Instruction code: page 0 

0	1	0	0	0	1	0	0	0	1
---	---	---	---	---	---	---	---	---	---

 ; page 1 

0	1	0	0	1	1	0	0	0	1
---	---	---	---	---	---	---	---	---	---

a <sub>9</sub>	a <sub>7</sub>	a <sub>6</sub>	a <sub>5</sub>	a <sub>4</sub>	a <sub>3</sub>	a <sub>2</sub>	a <sub>1</sub>	a <sub>0</sub>
----------------	----------------	----------------	----------------	----------------	----------------	----------------	----------------	----------------

<2> Cycle count: 1

<3> Function: PC ← addr

The 10 bits (PC<sub>9-0</sub>) of the program counter are replaced directly by the specified address addr (a<sub>9</sub> to a<sub>0</sub>).

#### JC addr

<1> Instruction code: page 0 

0	1	1	0	0	1	0	0	0	1
---	---	---	---	---	---	---	---	---	---

 ; page 1 

0	1	0	1	0	1	0	0	0	1
---	---	---	---	---	---	---	---	---	---

a <sub>9</sub>	a <sub>7</sub>	a <sub>6</sub>	a <sub>5</sub>	a <sub>4</sub>	a <sub>3</sub>	a <sub>2</sub>	a <sub>1</sub>	a <sub>0</sub>
----------------	----------------	----------------	----------------	----------------	----------------	----------------	----------------	----------------

<2> Cycle count: 1

<3> Function: If CY = 1 PC ← addr  
 else PC ← PC + 2

If the carry flag CY is set (to 1), a jump is made to the address specified with addr (a<sub>9</sub> to a<sub>0</sub>).

#### JNC addr

<1> Instruction code: page 0 

0	1	1	0	1	1	0	0	0	1
---	---	---	---	---	---	---	---	---	---

 ; page 1 

0	1	0	1	1	1	0	0	0	1
---	---	---	---	---	---	---	---	---	---

a <sub>9</sub>	a <sub>7</sub>	a <sub>6</sub>	a <sub>5</sub>	a <sub>4</sub>	a <sub>3</sub>	a <sub>2</sub>	a <sub>1</sub>	a <sub>0</sub>
----------------	----------------	----------------	----------------	----------------	----------------	----------------	----------------	----------------

<2> Cycle count: 1

<3> Function: If CY = 0 PC ← addr  
 else PC ← PC + 2

If the carry flag CY is cleared (to 0), a jump is made to the address specified with addr (a<sub>9</sub> to a<sub>0</sub>).

#### JF addr

<1> Instruction code: page 0 

0	1	1	1	0	1	0	0	0	1
---	---	---	---	---	---	---	---	---	---

 ; page 1 

1	0	0	0	0	1	0	0	0	1
---	---	---	---	---	---	---	---	---	---

a <sub>9</sub>	a <sub>7</sub>	a <sub>6</sub>	a <sub>5</sub>	a <sub>4</sub>	a <sub>3</sub>	a <sub>2</sub>	a <sub>1</sub>	a <sub>0</sub>
----------------	----------------	----------------	----------------	----------------	----------------	----------------	----------------	----------------

<2> Cycle count: 1

<3> Function: If F = 1 PC ← addr  
 else PC ← PC + 2

If the status flag F is set (to 1), a jump is made to the address specified with addr (a<sub>9</sub> to a<sub>0</sub>).

#### JNF addr

<1> Instruction code: page 0 

0	1	1	1	1	1	0	0	0	1
---	---	---	---	---	---	---	---	---	---

 ; page 1 

1	0	0	0	1	1	0	0	0	1
---	---	---	---	---	---	---	---	---	---

a <sub>9</sub>	a <sub>7</sub>	a <sub>6</sub>	a <sub>5</sub>	a <sub>4</sub>	a <sub>3</sub>	a <sub>2</sub>	a <sub>1</sub>	a <sub>0</sub>
----------------	----------------	----------------	----------------	----------------	----------------	----------------	----------------	----------------

<2> Cycle count: 1

<3> Function: If F = 0 PC ← addr  
 else PC ← PC + 2

If the status flag F is cleared (to 0), a jump is made to the address specified with addr (a<sub>9</sub> to a<sub>0</sub>).

### 9.8 Subroutine Instructions

The program memory consists of pages in steps of 1K (000H to 3FFH). However, as the assembler automatically performs page optimization, it is unnecessary to designate pages. The pages allowed for each product are as follows.

μPD62A (ROM: 0.5 K steps): page 0  
 μPD6P4B (PROM: 1 K steps): page 0

#### CALL addr

<1> Instruction code: 

0	0	1	1	0	1	0	0	1	0
---	---	---	---	---	---	---	---	---	---

  
 page 0 

0	1	0	0	0	1	0	0	0	1
---	---	---	---	---	---	---	---	---	---

 ; page 1 

0	1	0	0	1	1	0	0	0	1
---	---	---	---	---	---	---	---	---	---

a <sub>9</sub>	a <sub>7</sub>	a <sub>6</sub>	a <sub>5</sub>	a <sub>4</sub>	a <sub>3</sub>	a <sub>2</sub>	a <sub>1</sub>	a <sub>0</sub>
----------------	----------------	----------------	----------------	----------------	----------------	----------------	----------------	----------------

  
 <2> Cycle count: 2  
 <3> Function: SP ← SP + 1  
 ASR ← PC  
 PC ← addr

The stack pointer value is incremented (+1) and the program counter value is saved in the address stack register. Then, the address specified with the operand addr (a<sub>9</sub> to a<sub>0</sub>) is entered in the program counter. If a carry is generated when the stack pointer value is incremented (+1), an internal reset takes effect.

#### RET

<1> Instruction code: 

0	1	0	0	0	1	0	0	1	0
---	---	---	---	---	---	---	---	---	---

  
 <2> Cycle count: 1  
 <3> Function: PC ← ASR  
 SP ← SP - 1

The value saved in the address stack register is restored to the program counter. Then, the stack pointer is decremented (-1) . If a borrow is generated when the stack pointer value is decremented (-1), an internal reset takes effect.

### 9.9 Timer Operation Instructions

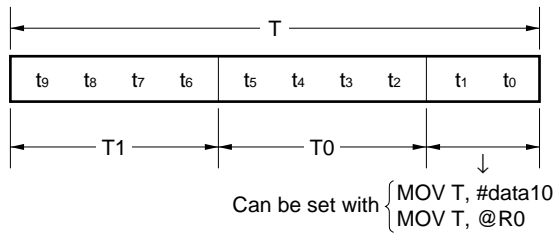
**MOV A, T0**

**MOV A, T1**

- <1> Instruction code: 

1	1	1	1	0/1	1	1	1	1	1
---	---	---	---	-----	---	---	---	---	---
- <2> Cycle count: 1
- <3> Function:  $(A) \leftarrow (T_n) \quad n = 0, 1$   
 $CY \leftarrow 0$

The timer  $T_n$  contents are transferred to the accumulator. T1 corresponds to ( $t_9, t_8, t_7, t_6$ ); T0 corresponds to ( $t_5, t_4, t_3, t_2$ ).



**MOV T0, A**

**MOV T1, A**

- <1> Instruction code: 

0	0	1	0/1	1	1	1	1	1	1
---	---	---	-----	---	---	---	---	---	---
- <2> Cycle count: 1
- <3> Function:  $(T_n) \leftarrow (A) \quad n = 0, 1$

The accumulator contents are transferred to the timer register  $T_n$ . T1 corresponds to ( $t_9, t_8, t_7, t_6$ ); T0 corresponds to ( $t_5, t_4, t_3, t_2$ ). **After executing this instruction, if data is transferred to T1,  $t_1$  becomes 0; if data is transferred to T0,  $t_0$  becomes 0.**

**MOV T, #data10**

- <1> Instruction code: 

0	0	1	1	0	1	1	1	1	1
---	---	---	---	---	---	---	---	---	---

$t_1$	$t_9$	$t_8$	$t_7$	$t_6$	$t_5$	$t_4$	$t_3$	$t_2$
-------	-------	-------	-------	-------	-------	-------	-------	-------
- <2> Cycle count: 1
- <3> Function:  $(T) \leftarrow \text{data10}$

The immediate data is transferred to the timer register T ( $t_9$ - $t_0$ ).

**Remark** The timer time is set with  $(\text{set value} + 1) \times 64/f_x$  or  $128/f_x$ .

**MOV T, @R0**

<1> Instruction code: 

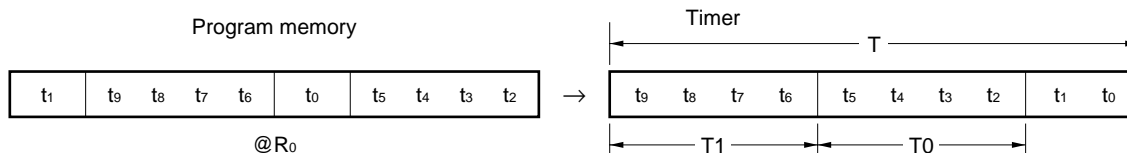
0	0	1	1	1	1	1	1
---	---	---	---	---	---	---	---

<2> Cycle count: 1

<3> Function:  $(T) \leftarrow ((P13), (R0))$

The program memory contents are transferred to the timer register T ( $t_9$  to  $t_0$ ) specified with the control register P13 and the register pair  $R_{10}$ - $R_{00}$ .

The program memory, which consists of 10 bits, is placed in the following state after being transferred to the register.



The high-order 2 bits of the program memory address are specified with the control register (P13).

**Caution** When setting a timer value in the program memory, be sure to use the DT directive.

**9.10 Others**

**HALT #data4**

<1> Instruction code: 

0	0	0	1	0	1	0	0	0	1
---	---	---	---	---	---	---	---	---	---

  
: 

0	0	0	0	0	0	$d_3$	$d_2$	$d_1$	$d_0$
---	---	---	---	---	---	-------	-------	-------	-------

<2> Cycle count: 1

<3> Function: Standby mode

Places the CPU in standby mode.

The condition for having the standby mode (HALT/STOP mode) canceled is specified with the immediate data.

**STTS R0n**

<1> Instruction code: 

0	0	0	1	1	0	$R_3$	$R_2$	$R_1$	$R_0$
---	---	---	---	---	---	-------	-------	-------	-------

<2> Cycle count: 1

<3> Function: If statuses match  $F \leftarrow 1$   
else  $F \leftarrow 0$   $n = 0$  to  $F$

The  $S_0$ ,  $S_1$ ,  $K_{I/O}$ ,  $K_I$ , and  $TIMER$  statuses are compared with the register  $R_{0n}$  contents. If at least one of the statuses coincides with the bits that have been set, the status flag  $F$  is set (to 1).

If none of them coincide, the status flag  $F$  is cleared (to 0).

**STTS #data4**

<1> Instruction code: 

0	0	0	1	1	0	0	0	1
---	---	---	---	---	---	---	---	---

  
 : 

0	0	0	0	0	d <sub>3</sub>	d <sub>2</sub>	d <sub>1</sub>	d <sub>0</sub>
---	---	---	---	---	----------------	----------------	----------------	----------------

<2> Cycle count: 1  
 <3> Function: if statuses match  $F \leftarrow 1$   
 else  $F \leftarrow 0$

The S<sub>0</sub>, S<sub>1</sub>, K<sub>I/O</sub>, K<sub>I</sub>, and TIMER statuses are compared with the immediate data contents. If at least one of the statuses coincides with the bits that have been set, the status flag F is set (to 1). If none of them coincide, the status flag F is cleared (to 0).

**SCAF (Set Carry If Acc = FH)**

<1> Instruction code: 

1	1	0	1	0	1	0	0	1	1
---	---	---	---	---	---	---	---	---	---

  
 <2> Cycle count: 1  
 <3> Function: if  $A = 0FH$   $CY \leftarrow 1$   
 else  $CY \leftarrow 0$

The carry flag CY is set (to 1) if the accumulator contents are FH.  
 The accumulator values after executing the SCAF instruction are as follows:

Accumulator Value		Carry Flag
Before execution	After execution	
xxx0	0000	0 (clear)
xx01	0001	0 (clear)
x011	0011	0 (clear)
0111	0111	0 (clear)
1111	1111	1 (set)

**Remark** x: don't care

**NOP**

<1> Instruction code: 

0	0	0	0	0	0	0	0	0	0
---	---	---	---	---	---	---	---	---	---

  
 <2> Cycle count: 1  
 <3> Function:  $PC \leftarrow PC + 1$   
 No operation

**10. ASSEMBLER RESERVED WORDS**

**10.1 Mask Option Directives**

When creating the μPD62A program, it is necessary to use a mask option directive in the assembler's source program to specify a mask option.

**10.1.1 OPTION and ENDOP directives**

The assembler directives from the OPTION directive to the ENDOP directive are called the mask option definition block. The format of the mask option definition block is as follows:

**Format**

<u>Symbol field</u> [Label:]	<u>Mnemonic field</u> OPTION : : ENDOP	<u>Operand field</u>	<u>Comment field</u> [; Comment]
---------------------------------	----------------------------------------------------	----------------------	-------------------------------------

**10.1.2 Mask option definition directive**

The assembler directives that can be used in the mask option definition block are listed in Table 10-1. An example of the mask option definition is shown below.

**Example**

<u>Symbol field</u>	<u>Mnemonic field</u> OPTION USEPOC ENDOP	<u>Operand field</u>	<u>Comment field</u> ; POC circuit incorporated
---------------------	----------------------------------------------------	----------------------	----------------------------------------------------

**Table 10-1. List of Mask Option Definition Directives**

Name	Mask Option Definition Directive	PRO File	
		Address Value	Data Value
POC	USEPOC (With POC circuit)	2044H	01
	NOUSEPOC (Without POC circuit)		00

11. ELECTRICAL SPECIFICATIONS

Absolute Maximum Ratings (T<sub>A</sub> = +25°C)

Parameter	Symbol	Conditions		Rating	Unit
Power supply voltage	V <sub>DD</sub>			-0.3 to +3.8	V
Input voltage	V <sub>I</sub>	K <sub>I/O</sub> , K <sub>I</sub> , S <sub>0</sub> , S <sub>1</sub> , $\overline{\text{RESET}}$		-0.3 to V <sub>DD</sub> +0.3	V
Output voltage	V <sub>O</sub>			-0.3 to V <sub>DD</sub> +0.3	V
Output current, high	I <sub>OH</sub> <sup>Note</sup>	REM	Peak value	-30	mA
			rms	-20	mA
		$\overline{\text{LED}}$	Peak value	-7.5	mA
			rms	-5	mA
		One K <sub>I/O</sub> pin	Peak value	-13.5	mA
			rms	-9	mA
		Total of $\overline{\text{LED}}$ and K <sub>I/O</sub> pins	Peak value	-18	mA
			rms	-12	mA
Output current, low	I <sub>OL</sub> <sup>Note</sup>	REM	Peak value	7.5	mA
			rms	5	mA
		$\overline{\text{LED}}$	Peak value	7.5	mA
			rms	5	mA
Operating ambient temperature	T <sub>A</sub>			-40 to +85	°C
Storage temperature	T <sub>stg</sub>			-65 to +150	°C

**Note** The rms value should be calculated as follows: [rms value] = [Peak value] ×  $\sqrt{\text{Duty}}$ .

**Caution** Product quality may suffer if the absolute rating is exceeded even momentarily for any parameter. That is, the absolute maximum ratings are rated values at which the product is on the verge of suffering physical damage, and therefore the product must be used under conditions that ensure the absolute maximum ratings are not exceeded.

Recommended Power Supply Voltage Range (T<sub>A</sub> = -40 to +85°C)

Parameter	Symbol	Conditions	MIN.	TYP.	MAX.	Unit
Power supply voltage	V <sub>DD</sub>	f <sub>x</sub> = 2.4 to 8 MHz	2.0	3.0	3.6	V



DC Characteristics (T<sub>A</sub> = -40 to +85°C, V<sub>DD</sub> = 2.0 to 3.6 V)

Parameter	Symbol	Conditions		MIN.	TYP.	MAX.	Unit
Input voltage, high	V <sub>IH1</sub>	$\overline{\text{RESET}}$		0.8 V <sub>DD</sub>		V <sub>DD</sub>	V
	V <sub>IH2</sub>	K <sub>I/O</sub>		0.7 V <sub>DD</sub>		V <sub>DD</sub>	V
	V <sub>IH3</sub>	K <sub>I</sub> , S <sub>0</sub> , S <sub>1</sub>		0.65 V <sub>DD</sub>		V <sub>DD</sub>	V
Input voltage, low	V <sub>IL1</sub>	$\overline{\text{RESET}}$		0		0.2 V <sub>DD</sub>	V
	V <sub>IL2</sub>	K <sub>I/O</sub>		0		0.3 V <sub>DD</sub>	V
	V <sub>IL3</sub>	K <sub>I</sub> , S <sub>0</sub> , S <sub>1</sub>		0		0.15 V <sub>DD</sub>	V
Input leakage current, high	I <sub>LIH1</sub>	K <sub>I</sub> V <sub>I</sub> = V <sub>DD</sub> , pull-down resistor not incorporated				3	μA
	I <sub>LIH2</sub>	S <sub>0</sub> , S <sub>1</sub> V <sub>I</sub> = V <sub>DD</sub> , pull-down resistor not incorporated				3	μA
Input leakage current, low	I <sub>LIL1</sub>	K <sub>I</sub> V <sub>I</sub> = 0 V				-3	μA
	I <sub>LIL2</sub>	K <sub>I/O</sub> V <sub>I</sub> = 0 V				-3	μA
	I <sub>LIL3</sub>	S <sub>0</sub> , S <sub>1</sub> V <sub>I</sub> = 0 V				-3	μA
Output voltage, high	V <sub>OH1</sub>	REM, $\overline{\text{LED}}$ , K <sub>I/O</sub>	I <sub>OH</sub> = -0.3 mA	0.8 V <sub>DD</sub>			V
Output voltage, low	V <sub>OL1</sub>	REM, $\overline{\text{LED}}$				0.3	V
	V <sub>OL2</sub>	K <sub>I/O</sub>				0.4	V
Output current, high	I <sub>OH1</sub>	REM	V <sub>DD</sub> = 3.0 V, V <sub>OH</sub> = 1.0 V	-5	-12		mA
	I <sub>OH2</sub>	K <sub>I/O</sub>	V <sub>DD</sub> = 3.0 V, V <sub>OH</sub> = 2.2 V	-2.5	-7		mA
Output current, low	I <sub>OL1</sub>	K <sub>I/O</sub>	V <sub>DD</sub> = 3.0 V, V <sub>OL</sub> = 0.4 V	30	70		μA
			V <sub>DD</sub> = 3.0 V, V <sub>OL</sub> = 2.2 V	100	390		μA
On-chip pull-up resistor	R <sub>1</sub>	$\overline{\text{RESET}}$		25	50	100	kΩ
On-chip pull-down resistor	R <sub>2</sub>	$\overline{\text{RESET}}$		2.5	5	15	kΩ
	R <sub>3</sub>	K <sub>I</sub> , S <sub>0</sub> , S <sub>1</sub>		75	150	300	kΩ
	R <sub>4</sub>	K <sub>I/O</sub>		130	250	500	kΩ
Data retention power supply voltage	V <sub>DDDR</sub>	In STOP mode		0.9		3.6	V
Supply current <sup>†Note</sup>	I <sub>DD1</sub>	Operating mode	f <sub>X</sub> = 8.0 MHz, V <sub>DD</sub> = 3 V ± 10%		0.8	1.6	mA
			f <sub>X</sub> = 4.0 MHz, V <sub>DD</sub> = 3 V ± 10%		0.7	1.4	mA
	I <sub>DD2</sub>	HALT mode	f <sub>X</sub> = 8.0 MHz, V <sub>DD</sub> = 3 V ± 10%		0.75	1.5	mA
			f <sub>X</sub> = 4.0 MHz, V <sub>DD</sub> = 3 V ± 10%		0.65	1.3	mA
	I <sub>DD3</sub>	STOP mode	V <sub>DD</sub> = 3 V ± 10%, When POC circuit incorporated by mask option		1.9	9.0	μA
			V <sub>DD</sub> = 3 V ± 10%, T <sub>A</sub> = 25°C, When POC circuit incorporated by mask option		1.9	5.0	μA

**Note** The current flowing to the on-chip pull-up resistors is not included.

**AC Characteristics (T<sub>A</sub> = -40 to +85°C, V<sub>DD</sub> = 2.0 to 3.6 V)**

Parameter	Symbol	Test Conditions	MIN.	TYP.	MAX.	Unit
Instruction execution time	t <sub>CY</sub>		7.9		27	μs
K <sub>I</sub> , S <sub>0</sub> , S <sub>1</sub> high-level width	t <sub>H</sub>		10			μs
		When releasing standby mode	In HALT mode	10		μs
		In STOP mode	<b>Note</b>			μs
RESET low-level width	t <sub>RSL</sub>		10			μs

**Note** 10 + 52/f<sub>x</sub> + oscillation growth time

**Remark** t<sub>CY</sub> = 64/f<sub>x</sub> (f<sub>x</sub>: System clock oscillation frequency)

**POC Circuit (mask option<sup>Note 1</sup>) (T<sub>A</sub> = -40 to +85°C)**

Parameter	Symbol	Test Conditions	MIN.	TYP.	MAX.	Unit
POC-detected voltage <sup>Note 2</sup>	V <sub>POC</sub>			1.85	2.0	V

**Notes** 1. Operates effectively under the conditions of f<sub>x</sub> = 2.4 to 8 MHz.

2. Refers to the voltage at which the POC circuit cancels an internal reset. If V<sub>POC</sub> < V<sub>DD</sub>, the internal reset is released.

From the time of V<sub>POC</sub> ≥ V<sub>DD</sub> until the internal reset takes effect, a delay of up to 1 ms occurs. When the period of V<sub>POC</sub> ≥ V<sub>DD</sub> lasts less than 1 ms, the internal reset may not take effect.

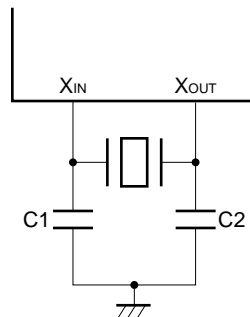
**System Clock Oscillator Characteristics (T<sub>A</sub> = -40 to +85°C, V<sub>DD</sub> = 2.0 to 3.6 V)**

Parameter	Symbol	Conditions	MIN.	TYP.	MAX.	Unit
Oscillation frequency (ceramic resonator)	f <sub>x</sub>		2.4	3.64	8.0	MHz

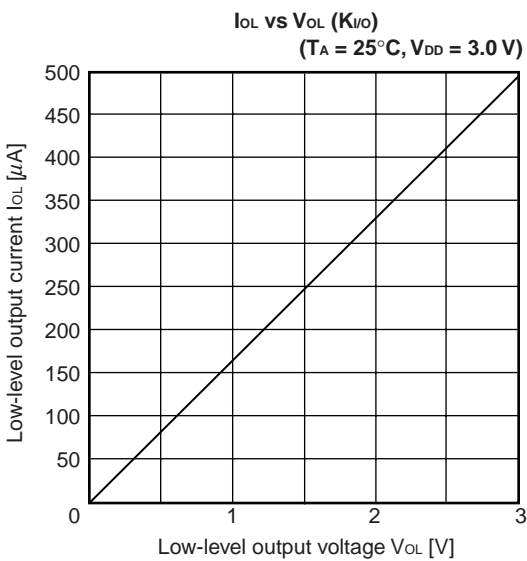
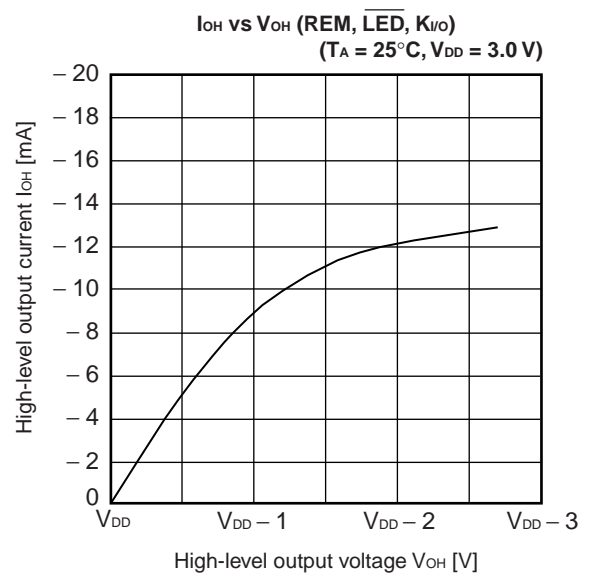
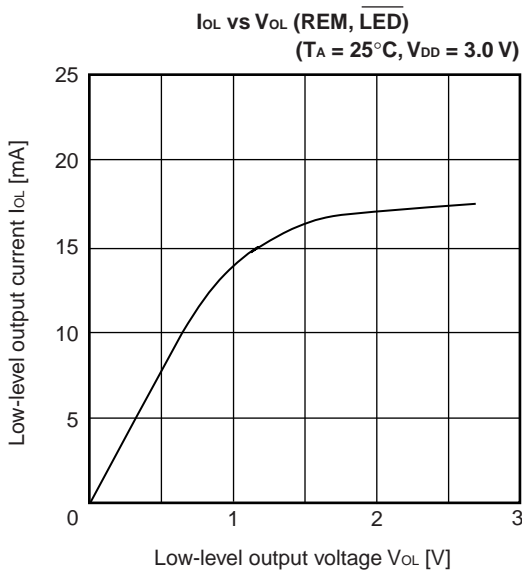
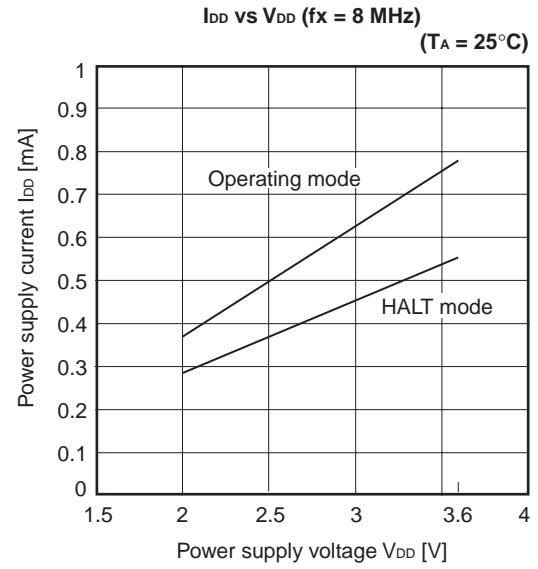
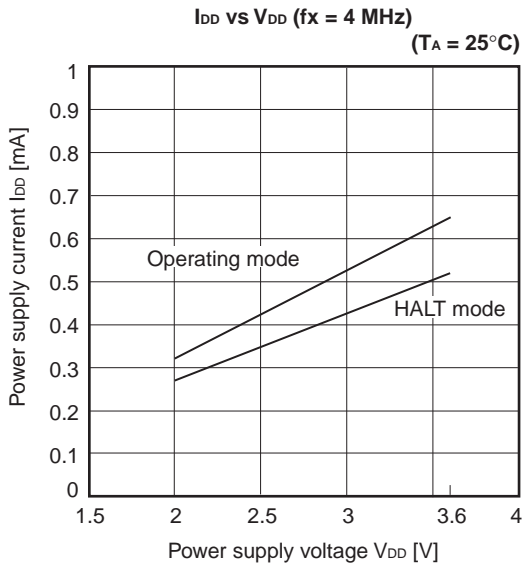
Recommended Ceramic Resonator (T<sub>A</sub> = -40 to +85°C)

Manufacturer	Part Number	Frequency (MHz)	Recommended Constant		Power Supply Voltage [V]		Remark
			C1 [pF]	C2 [pF]	MIN.	MAX.	
TDK Corp.	FCR3.52MC5	3.52	Unnecessary (C-containing type)		2.0	3.6	
	FCR3.58MC5	3.58					
	FCR3.64MC5	3.64					
	FCR3.84MC5	3.84					
	FCR4.0MC5	4.0					
	FCR6.0MC5	6.0					
	FCR8.0MC5	8.0					
Murata Mfg. Co., Ltd	CSA2.50MG040	2.5	100	100			
	CST2.50MG040		Unnecessary (C-containing type)				
	CSA3.52MG	3.52	30	30			
	CST3.52MGW		Unnecessary (C-containing type)				
	CSTS0352MG03	3.58	30	30			
	CSA3.58MG		Unnecessary (C-containing type)				
	CST3.58MGW	3.64	30	30			
	CST0358MG03		Unnecessary (C-containing type)				
	CSA3.64MG	3.84	30	30			
	CST3.64MGW		Unnecessary (C-containing type)				
	CSTS0364MG03	4.0	30	30			
	CSA3.84MG		Unnecessary (C-containing type)				
	CST3.84MGW	6.0	30	30			
	CST0384MG03		Unnecessary (C-containing type)				
	CSA4.00MG	8.0	30	30			
	CST4.00MGW		Unnecessary (C-containing type)				
	CSTS0400MG03	30	30	30			
	CSA6.00MG		Unnecessary (C-containing type)				
	CST6.00MGW	30	30	30			
	CSTS0600MG03		Unnecessary (C-containing type)				
CSA8.00MTZ	30	30	30				
CST8.00MTW		Unnecessary (C-containing type)					
CSTS0800MG03							

An external circuit example



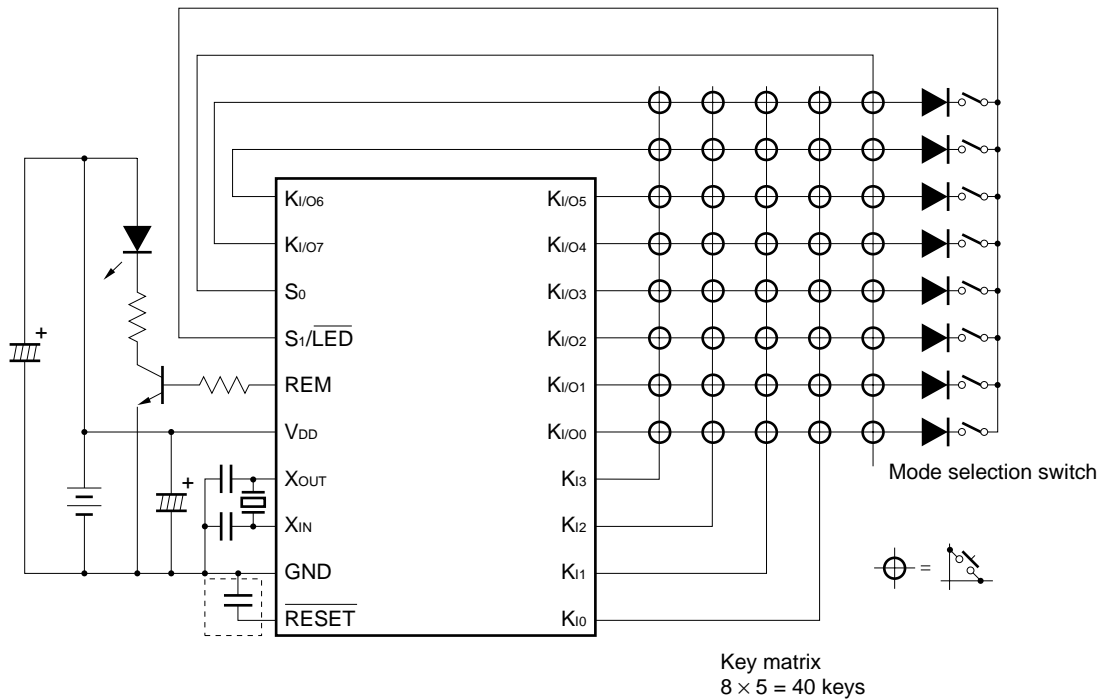
12. CHARACTERISTICS CURVES (REFERENCE VALUES)



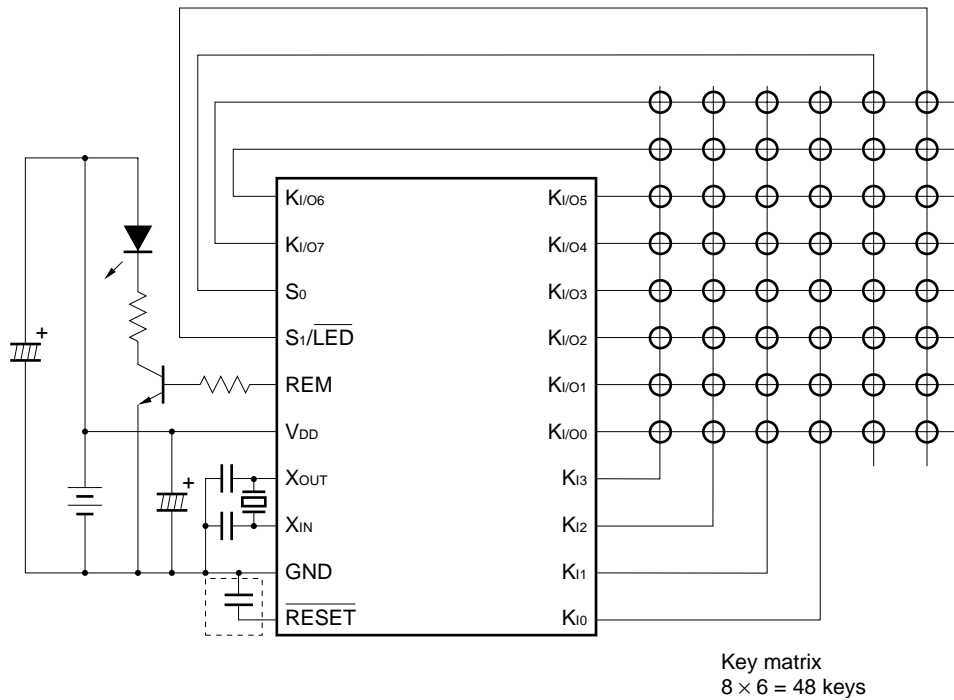
13. APPLICATION CIRCUIT EXAMPLE

Example of Application to System

- Remote-control transmitter (40 keys; mode selection switch accommodated)



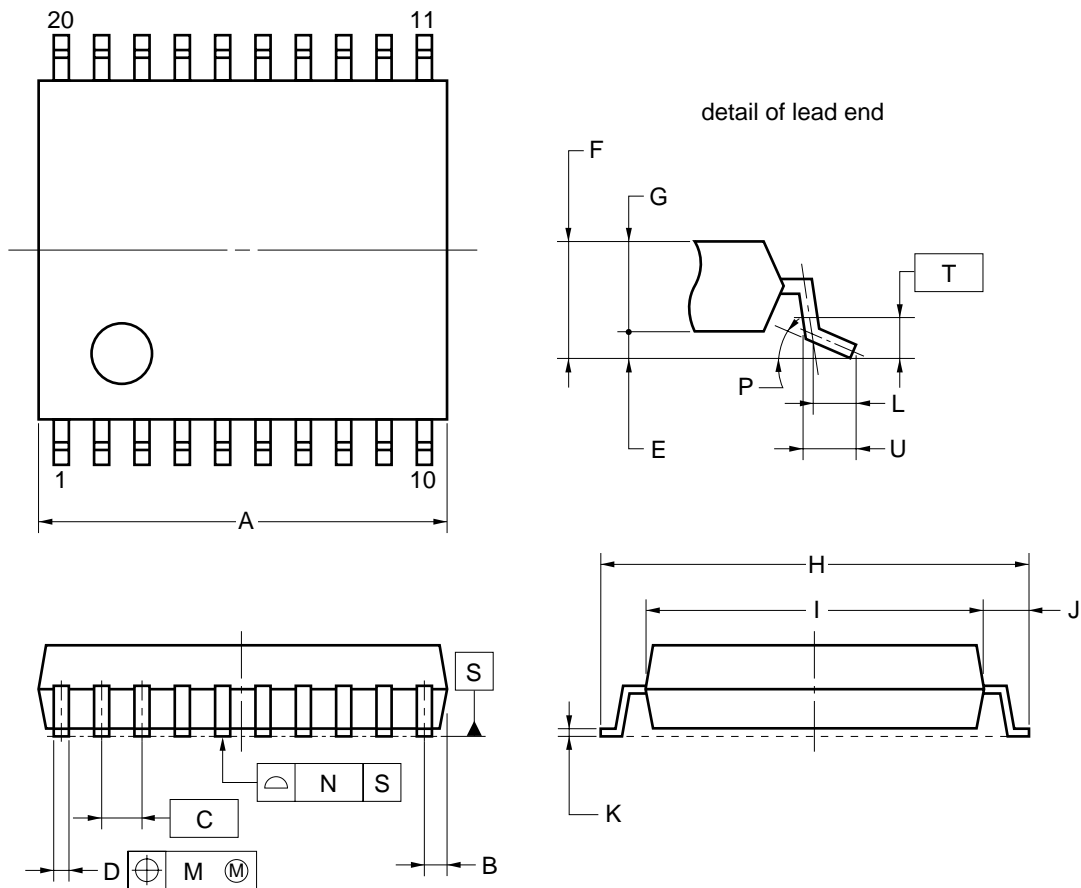
- Remote-control transmitter (48 keys accommodated)



**Remark** When the POC circuit of the mask option is used effectively, it is not necessary to connect the capacitor enclosed in the broken lines.

14. PACKAGE DRAWINGS

20 PIN PLASTIC SSOP (300 mil)



**NOTE**

Each lead centerline is located within 0.12 mm of its true position (T.P.) at maximum material condition.

ITEM	MILLIMETERS
A	6.65±0.15
B	0.475 MAX.
C	0.65 (T.P.)
D	0.24 <sup>+0.08</sup> <sub>-0.07</sub>
E	0.1±0.05
F	1.3±0.1
G	1.2
H	8.1±0.2
I	6.1±0.2
J	1.0±0.2
K	0.17±0.03
L	0.5
M	0.13
N	0.10
P	3° <sup>+5°</sup> <sub>-3°</sub>
T	0.25
U	0.6±0.15
<b>S20MC-65-5A4-1</b>	

**Remark** The dimensions and materials of the ES model are the same as those of the mass production model.

**15. RECOMMENDED SOLDERING CONDITIONS**

The μPD62A should be soldered and mounted under the following recommended conditions.

For the details of the recommended soldering conditions, refer to the document **Semiconductor Device Mounting Technology Manual (C10535E)**.

For soldering methods and conditions other than those recommended below, contact your NEC sales representatives.

**Table 15-1. Surface Mounting Type Soldering Conditions**

**μPD62AMC-xxx-5A4: 20-pin plastic SSOP (300 mils)**

Soldering Method	Soldering Conditions	Recommended Condition Symbol
Infrared reflow	Package peak temperature: 235°C; Time: 30 seconds max. (at 210°C or higher); Count: three times or less	IR35-00-3
VPS	Package peak temperature: 215°C; Time: 40 seconds max. (at 200°C or higher); Count: Three times or less	VP15-00-3
Wave soldering	Solder bath temperature: 260°C max.; Time: 10 seconds max.; Count: once; Preheating temperature: 120°C max. (package surface temperature)	WS60-00-1
Partial heating	Pin temperature: 300°C or less; Time: 3 seconds max. (per pin row)	—

**Caution Do not use different soldering methods together (except for partial heating).**

**APPENDIX A. DEVELOPMENT TOOLS**

An emulator is provided for emulating the μPD62A.

**Hardware**

- **Emulator (EB-6133<sup>Note</sup>)**

Used to emulate the μPD62A.

**Note** This is a product made by Naito Densai Machida Mfg. Co., Ltd. For details, contact Naito Densai Machida Mfg. Co., Ltd. (+81-44-822-3813).

**Software**

- **Assembler (AS6133)**

- This is a development tool for remote control transmitter software.

**Part Number List of AS6133**

Host Machine	OS	Supply Medium	Part Number
PC-9800 series (CPU: 80386 or more)	MS-DOS™ (Ver. 5.0 to Ver. 6.2)	3.5-inch 2HD	μS5A13AS6133
IBM PC/AT™ and compatibles	MS-DOS (Ver. 6.0 to Ver. 6.22)	3.5-inch 2HC	μS7B13AS6133
	PC DOS™ (Ver. 6.1 to Ver. 6.3)		

**Caution** Although Ver.5.0 or later has a task swap function, this function cannot be used with this software.



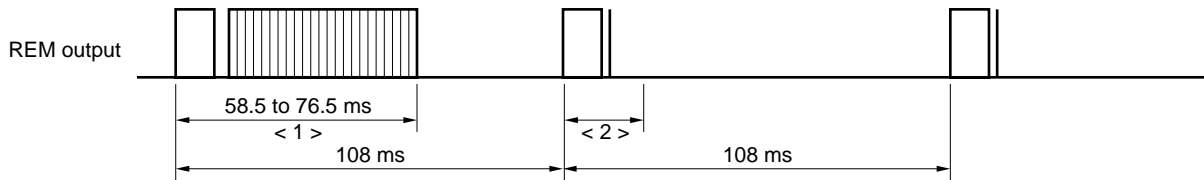
APPENDIX B. FUNCTIONAL COMPARISON BETWEEN μPD62A AND OTHER SUBSERIES

Item		μPD62A	μPD63A	μPD64	μPD6134	μPD6600A
ROM capacity		512 × 10 bits	768 × 10 bits	1002 × 10 bits	1002 × 10 bits	512 × 10 bits
RAM capacity		32 × 4 bits				32 × 5 bits
Stack		1 level (also used as RF of RAM)				3 levels (also used for RAM)
Key matrix		8 × 6 = 48 keys				8 × 4 = 32 keys
S <sub>0</sub> (S-IN) input		Read by P <sub>01</sub> register (standby release function available)				Read by left shift instruction
S <sub>1</sub> /LED (S-OUT)		I/O (standby release function available)				Output
Clock frequency		Ceramic oscillation				Ceramic oscillation
		• f <sub>x</sub> = 2.4 to 8 MHz	• f <sub>x</sub> = 2.4 to 8 MHz • f <sub>x</sub> = 2.4 to 4 MHz (with POC circuit)	• f <sub>x</sub> = 300 kHz to 1 MHz • f <sub>x</sub> = 300 to 500 kHz (with POC circuit)	• f <sub>x</sub> = 400 to 500 kHz	
Timer	Clock	f <sub>x</sub> /64, f <sub>x</sub> /128			f <sub>x</sub> /8, f <sub>x</sub> /16	f <sub>x</sub> /8
	Count start	Writing count value				Writing count value and P1 register value
Carrier	Frequency	• f <sub>x</sub> /8, f <sub>x</sub> /64, f <sub>x</sub> /96 (timer clock: f <sub>x</sub> /64) • f <sub>x</sub> /16, f <sub>x</sub> /128, f <sub>x</sub> /192 (timer clock: f <sub>x</sub> /128) • No carrier			• f <sub>x</sub> , f <sub>x</sub> /8, f <sub>x</sub> /12 (timer clock: f <sub>x</sub> /8) • f <sub>x</sub> /2, f <sub>x</sub> /16, f <sub>x</sub> /24 (timer clock: f <sub>x</sub> /16) • No carrier	• f <sub>x</sub> /8, f <sub>x</sub> /12
	Output start	Synchronized with timer				Asynchronized with timer
Instruction execution time		8 μs (f <sub>x</sub> = 8 MHz)			8 μs (f <sub>x</sub> = 1 MHz)	16 μs (f <sub>x</sub> = 500 kHz)
Relative branch instruction		None				Provided
Left shift instruction		None				Provided
"MOV Rn, @RO" instruction		n = 1 to F				n = 0 to F
Standby mode (HALT instruction)		HALT mode for timer only. STOP mode for only releasing K <sub>i</sub> (K <sub>i/O</sub> high-level output or K <sub>i/OO</sub> high-level output)				HALT/STOP mode set by P1 register value
Relationship between HALT instruction execution and status flag (F)		HALT instruction not executed when F = 1				HALT instruction executed regardless of status of F
Reset function by charging/discharging capacitor		None				Provided
POC circuit		Mask option Low level output to $\overline{\text{RESET}}$ pin on detection				Provided (low-voltage detection circuit) Low level output to S-OUT pin on detection
Mask option		POC circuit only (set by software in circuits other than POC circuit)				• Pull-down resistor • Variable duty • Runaway detection
Supply voltage		V <sub>DD</sub> = 2.0 to 3.6 V	V <sub>DD</sub> = 1.8 to 3.6 V			V <sub>DD</sub> = 2.2 to 3.6 V
Operating temperature		• T <sub>A</sub> = -40 to +85°C	• T <sub>A</sub> = -40 to +85°C • T <sub>A</sub> = -20 to +70°C (with POC circuit)			T <sub>A</sub> = -20 to +70°C
Package		• 20-pin plastic SSOP	• 20-pin plastic SOP	• 20-pin plastic SOP • 20-pin plastic SSOP		• 20-pin plastic SOP • 20-pin plastic shrink DIP
One-time PROM model		μPD6P4B			μPD61P34B	μPD61P24

**APPENDIX C. EXAMPLE OF REMOTE-CONTROL TRANSMISSION FORMAT  
(NEC transmission format in command one-shot transmission mode)**

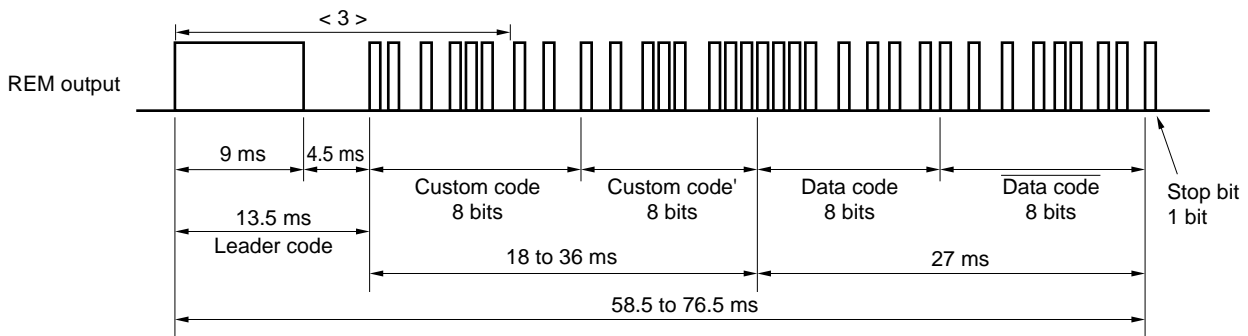
**Caution** When using the NEC transmission format, apply for a custom code at NEC.

(1) REM output waveform (From <2>, the output is made only when the key is continually pressed.)

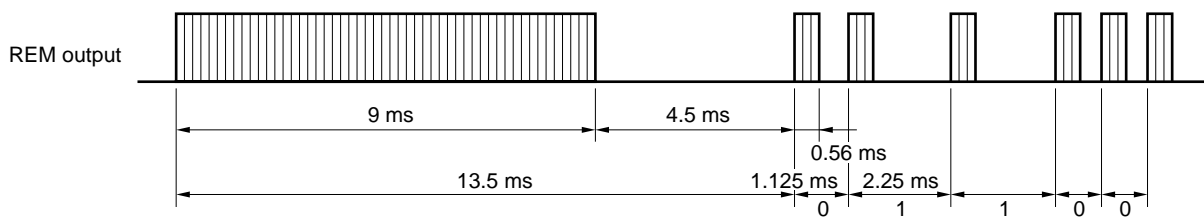


**Remark** If the key is repeatedly pressed, the power consumption of the infrared light-emitting diode (LED) can be reduced by sending the reader code and the stop bit from the second time.

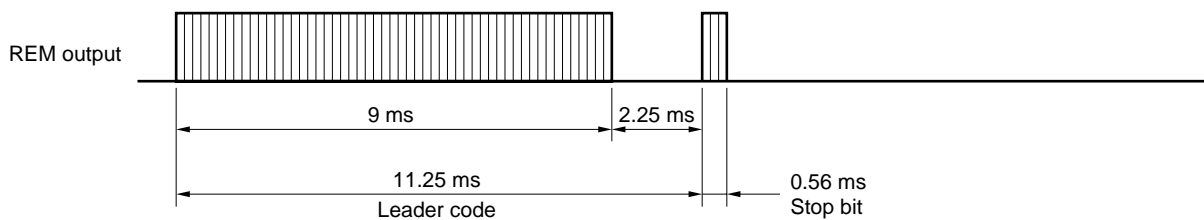
(2) Enlarged waveform of <1>



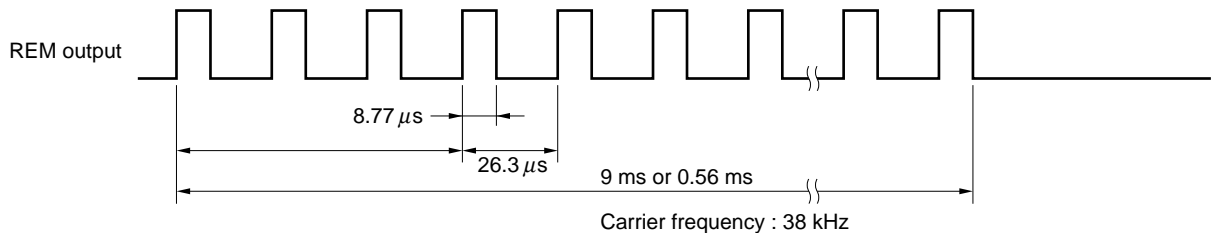
(3) Enlarged waveform of <3>



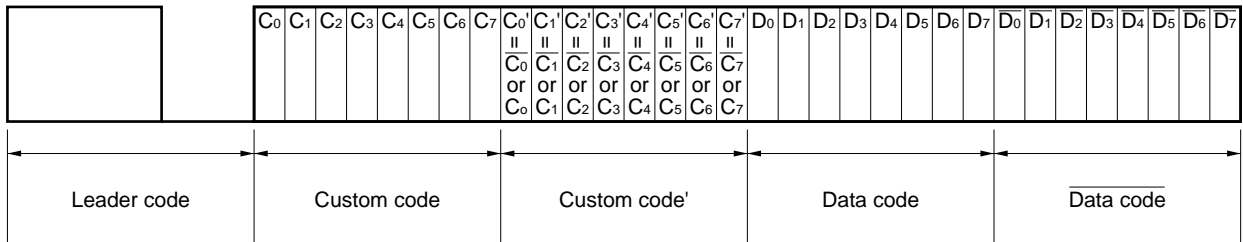
(4) Enlarged waveform of <2>



(5) Carrier waveform (enlarged waveform of each code's high period)



(6) Bit array of each code



**Caution** To prevent malfunction with other systems when receiving data in the NEC transmission format, not only fully decode (make sure to check Data code as well) the total 32 bits of the 16-bit custom codes (Custom code, Custom code') and the 16-bit data codes (Data code, Data code) but also check to make sure that no signals exist.

**NOTES FOR CMOS DEVICES****① PRECAUTION AGAINST ESD FOR SEMICONDUCTORS**

Note:

Strong electric field, when exposed to a MOS device, can cause destruction of the gate oxide and ultimately degrade the device operation. Steps must be taken to stop generation of static electricity as much as possible, and quickly dissipate it once, when it has occurred. Environmental control must be adequate. When it is dry, humidifier should be used. It is recommended to avoid using insulators that easily build static electricity. Semiconductor devices must be stored and transported in an anti-static container, static shielding bag or conductive material. All test and measurement tools including work bench and floor should be grounded. The operator should be grounded using wrist strap. Semiconductor devices must not be touched with bare hands. Similar precautions need to be taken for PW boards with semiconductor devices on it.

**② HANDLING OF UNUSED INPUT PINS FOR CMOS**

Note:

No connection for CMOS device inputs can be cause of malfunction. If no connection is provided to the input pins, it is possible that an internal input level may be generated due to noise, etc., hence causing malfunction. CMOS devices behave differently than Bipolar or NMOS devices. Input levels of CMOS devices must be fixed high or low by using a pull-up or pull-down circuitry. Each unused pin should be connected to  $V_{DD}$  or GND with a resistor, if it is considered to have a possibility of being an output pin. All handling related to the unused pins must be judged device by device and related specifications governing the devices.

**③ STATUS BEFORE INITIALIZATION OF MOS DEVICES**

Note:

Power-on does not necessarily define initial status of MOS device. Production process of MOS does not define the initial operation status of the device. Immediately after the power source is turned ON, the devices with reset function have not yet been initialized. Hence, power-on does not guarantee out-pin levels, I/O settings or contents of registers. Device is not initialized until the reset signal is received. Reset operation must be executed immediately after power-on for devices having reset function.

## Regional Information

Some information contained in this document may vary from country to country. Before using any NEC product in your application, please contact the NEC office in your country to obtain a list of authorized representatives and distributors. They will verify:

- Device availability
- Ordering information
- Product release schedule
- Availability of related technical literature
- Development environment specifications (for example, specifications for third-party tools and components, host computers, power plugs, AC supply voltages, and so forth)
- Network requirements

In addition, trademarks, registered trademarks, export restrictions, and other legal issues may also vary from country to country.

### **NEC Electronics Inc. (U.S.)**

Santa Clara, California  
Tel: 408-588-6000  
800-366-9782  
Fax: 408-588-6130  
800-729-9288

### **NEC Electronics (Germany) GmbH**

Duesseldorf, Germany  
Tel: 0211-65 03 02  
Fax: 0211-65 03 490

### **NEC Electronics (UK) Ltd.**

Milton Keynes, UK  
Tel: 01908-691-133  
Fax: 01908-670-290

### **NEC Electronics Italiana s.r.l.**

Milano, Italy  
Tel: 02-66 75 41  
Fax: 02-66 75 42 99

### **NEC Electronics (Germany) GmbH**

Benelux Office  
Eindhoven, The Netherlands  
Tel: 040-2445845  
Fax: 040-2444580

### **NEC Electronics (France) S.A.**

Velizy-Villacoublay, France  
Tel: 01-30-67 58 00  
Fax: 01-30-67 58 99

### **NEC Electronics (France) S.A.**

Spain Office  
Madrid, Spain  
Tel: 91-504-2787  
Fax: 91-504-2860

### **NEC Electronics (Germany) GmbH**

Scandinavia Office  
Taebly, Sweden  
Tel: 08-63 80 820  
Fax: 08-63 80 388

### **NEC Electronics Hong Kong Ltd.**

Hong Kong  
Tel: 2886-9318  
Fax: 2886-9022/9044

### **NEC Electronics Hong Kong Ltd.**

Seoul Branch  
Seoul, Korea  
Tel: 02-528-0303  
Fax: 02-528-4411

### **NEC Electronics Singapore Pte. Ltd.**

United Square, Singapore 1130  
Tel: 65-253-8311  
Fax: 65-250-3583

### **NEC Electronics Taiwan Ltd.**

Taipei, Taiwan  
Tel: 02-2719-2377  
Fax: 02-2719-5951

### **NEC do Brasil S.A.**

Electron Devices Division  
Rodovia Presidente Dutra, Km 214  
07210-902-Guarulhos-SP Brasil  
Tel: 55-11-6465-6810  
Fax: 55-11-6465-6829

J99.1

**MS-DOS is either a registered trademark or a trademark of Microsoft Corporation in the United States and/or other countries.**

**PC/AT and PC DOS are trademarks of International Business Machines Corporation.**

The export of this product from Japan is regulated by the Japanese government. To export this product may be prohibited without governmental license, the need for which must be judged by the customer. The export or re-export of this product from a country other than Japan may also be prohibited without a license from that country. Please call an NEC sales representative.

• **The information in this document is subject to change without notice. Before using this document, please confirm that this is the latest version.**

• No part of this document may be copied or reproduced in any form or by any means without the prior written consent of NEC Corporation. NEC Corporation assumes no responsibility for any errors which may appear in this document.

• NEC Corporation does not assume any liability for infringement of patents, copyrights or other intellectual property rights of third parties by or arising from use of a device described herein or any other liability arising from use of such device. No license, either express, implied or otherwise, is granted under any patents, copyrights or other intellectual property rights of NEC Corporation or others.

• Descriptions of circuits, software, and other related information in this document are provided for illustrative purposes in semiconductor product operation and application examples. The incorporation of these circuits, software, and information in the design of the customer's equipment shall be done under the full responsibility of the customer. NEC Corporation assumes no responsibility for any losses incurred by the customer or third parties arising from the use of these circuits, software, and information.

• While NEC Corporation has been making continuous effort to enhance the reliability of its semiconductor devices, the possibility of defects cannot be eliminated entirely. To minimize risks of damage or injury to persons or property arising from a defect in an NEC semiconductor device, customers must incorporate sufficient safety measures in its design, such as redundancy, fire-containment, and anti-failure features.

• NEC devices are classified into the following three quality grades:

"Standard", "Special", and "Specific". The Specific quality grade applies only to devices developed based on a customer designated "quality assurance program" for a specific application. The recommended applications of a device depend on its quality grade, as indicated below. Customers must check the quality grade of each device before using it in a particular application.

Standard: Computers, office equipment, communications equipment, test and measurement equipment, audio and visual equipment, home electronic appliances, machine tools, personal electronic equipment and industrial robots

Special: Transportation equipment (automobiles, trains, ships, etc.), traffic control systems, anti-disaster systems, anti-crime systems, safety equipment and medical equipment (not specifically designed for life support)

Specific: Aircraft, aerospace equipment, submersible repeaters, nuclear reactor control systems, life support systems or medical equipment for life support, etc.

The quality grade of NEC devices is "Standard" unless otherwise specified in NEC's Data Sheets or Data Books. If customers intend to use NEC devices for applications other than those specified for Standard quality grade, they should contact an NEC sales representative in advance.