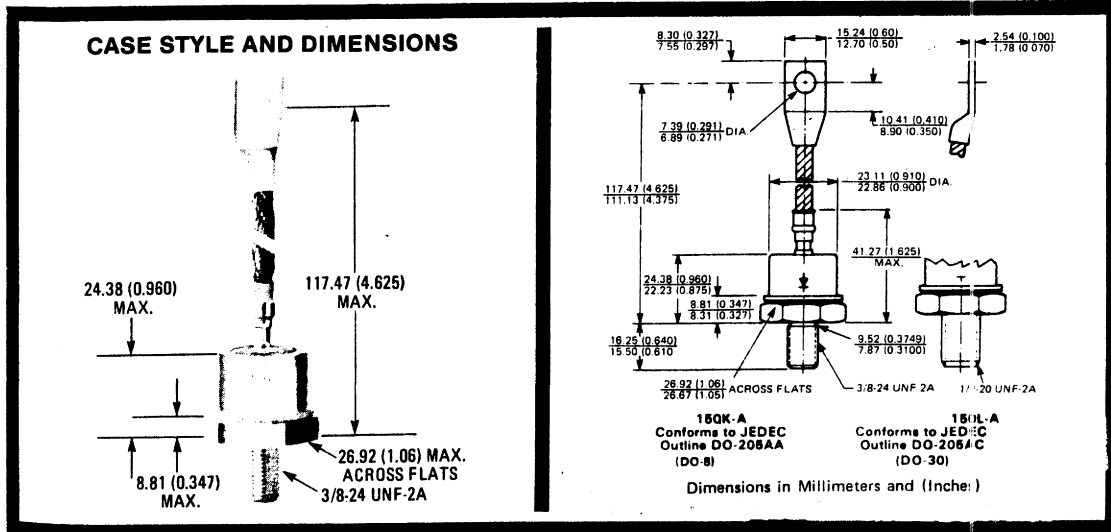


New Jersey Semi-Conductor Products, Inc.

20 STERN AVE.
 SPRINGFIELD, NEW JERSEY 07081
 U.S.A.

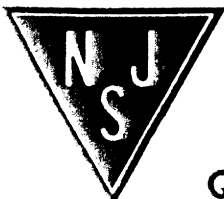
TELEPHONE: (973) 376-2922
 (212) 227-6005
 FAX: (973) 376-8960

45L, 150K-A, 150L-A, 150KS SERIES



PART NUMBER ①	V _{RRM} Max. repetitive peak reverse voltage (V)		V _{RSM} Max. non-repetitive peak reverse voltage (V)		V _R Max. average reverse voltage (V)		I _{RM} Max. peak reverse current at rated V _{RRM} (mA)	
	T _J = -40°C to 200°C		T _J = -40°C to 200°C		T _J = -40°C to 200°C		T _J = 200°C	
DO-30	DO-8	B-42						
45L10			100	200	100	40		
45L20			200	300	200	40		
45L40			400	500	400	40		
45L60			600	720	600	40		
45L80			800	960	800	40		
45L100			1000	1200	1000	40		
45L120			1200	1440	1200	40		
			T _J = -65°C to 200°C	T _J = -65°C to 200°C	T _J = -65°C to 200°C	T _J = 175°C		
150L5A	150K5A	150KS5	50	100	50	35		
150L10A	150K10A	150KS10	100	200	100	35		
150L20A	150K20A	150KS20	200	300	200	35		
150L30A	150K30A	150KS30	300	400	300	35		
150L40A	150K40A	150KS40	400	500	400	35		
150L60A	150K60A	150KS60	600	720	600	35		
150L80A	150K80A	150KS80	800	960	800	32		
150L100A	150K100A	150KS100	1000	1200	1000	24		
150L120A	150K120A	150KS120	1200	1440	1200	20		

	150K-A	150KS	150L-A/45L	Units	Conditions
I _{F(AV)}	Max. average forward current @ Max. T _C			A	1-phase operation, 180° conduct on
	150			°C	
I _{FSM}	Max. peak one-cycle non-repetitive surge current			A	Half cycle 50 Hz sine wave or 6 ms rectangular pulse Folk wing any rated load condition and with rated V _{RRM} applied.
	3000				Half cycle 60 Hz sine wave or 5 ms rectangular pulse
	3143				
	3568			A	Half cycle 50 Hz sine wave or 6 ms rectangular pulse Folk wing any rated load condition and with V _{RFM} applied following surge = 0.
	3738				Half cycle 60 Hz sine wave or 5 ms rectangular pulse
I ² t	Max. I ² t for fusing			A ² s	t = 10 ms With rated V _{RRM} applied following surge, initial T _J = T _J Max.
	45 000				t = 8.3 ms
	41 000				t = 10 ms With V _{RRM} = 0 following surge, initial T _J = T _J max.
	63 650				t = 8.3 ms
	57 990				
I ² √t	Max. I ² √t for individual device fusing			A ² √s	t = 0.1 to 10 ms, V _{RRM} = 0 folk wing surge. ③
V _{FM}	Max. peak forward voltage			V	T _J = 25°C, I _{FM} = π x rated I _{F(AV)} (471 A peak)
V _{F(TO)}	Max. value of threshold voltage			V	T _J = 200°C
r _F	Max. value of forward slope resistance			mΩ	
	1.416				



Quality Semi-Conductors