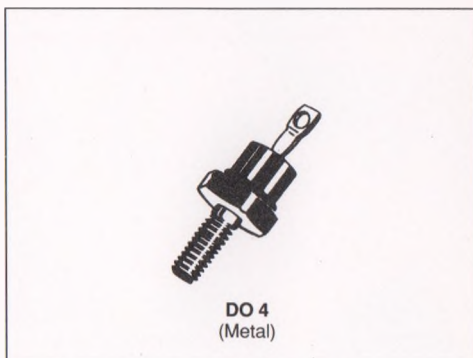


**RECTIFIER DIODES**

- STANDARD RECTIFIER
- HIGH SURGE CURRENT CAPABILITY
- LOW FORWARD VOLTAGE DROP


**ABSOLUTE RATINGS** (limiting values)

Symbol	Parameter	Value	Unit
$I_F$ (AV)	Average Forward Current* $T_c = 125^\circ\text{C}$	12	A
$I_{FSM}$	Surge non Repetitive Forward Current $t_p = 10\text{ms}$ Sinusoidal	230	A
$P_{tot}$	Power Dissipation* $T_c = 125^\circ\text{C}$	12.5	W
$T_{stg}$ $T_j$	Storage and Junction Temperature Range	- 40 to 150	$^\circ\text{C}$

Symbol	Parameter	BYW 88-									Unit
		50	100	200	300	400	500	600	800	1000	
$V_{RRM}$	Repetitive Peak Reverse Voltage	50	100	200	300	400	500	600	800	1000	V

**THERMAL RESISTANCE**

Symbol	Parameter	Value	Unit
$R_{th(j-c)}$	Junction-case	2	$^\circ\text{C/W}$

**ELECTRICAL CHARACTERISTICS**

Symbol	Test Conditions		Min.	Typ.	Max.	Unit
$I_R$	$T_j = 125^\circ\text{C}$	$V_R = V_{RRM}$			3	mA
$V_F$	$T_j = 25^\circ\text{C}$	$I_F = 35\text{A}$			1.25	V

\* Single phase, half wave, resistive or inductive load