

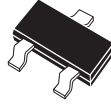
**CMPZ4678
 THRU
 CMPZ4717
 SURFACE MOUNT
 350mW LOW LEVEL
 SILICON ZENER DIODE
 5% TOLERANCE**

**Central™
 Semiconductor Corp.**

DESCRIPTION:

The CENTRAL SEMICONDUCTOR CMPZ4678 Series silicon zener diode is a high quality voltage regulator designed for applications requiring an extremely low operating current and low leakage.

MARKING CODE: CONSULT FACTORY



SOT-23 CASE

MAXIMUM RATINGS: ($T_A=25^\circ\text{C}$ unless otherwise noted.)

Power Dissipation
 Operating and Storage Temperature

SYMBOL	UNITS
P_D	350 mW
T_J, T_{stg}	-65 to +150 °C

ELECTRICAL CHARACTERISTICS: ($T_A=25^\circ\text{C}$) $V_F=1.5\text{V MAX @ } I_F=100\text{mA}$ FOR ALL TYPES.

TYPE NO.	NOMINAL ZENER VOLTAGE $V_Z @ I_{ZT}$	TEST CURRENT I_{ZT}	MAXIMUM REVERSE LEAKAGE CURRENT $I_R @ V_R$		MAXIMUM VOLTAGE CHANGE** ΔV_Z	MAXIMUM ZENER CURRENT I_{ZM}
	VOLTS	μA	μA	VOLTS	VOLTS	mA
CMPZ4678*	1.8	50	7.5	1.0	0.70	120.0
CMPZ4679*	2.0	50	5.0	1.0	0.70	110.0
CMPZ4680*	2.2	50	4.0	1.0	0.75	100.0
CMPZ4681*	2.4	50	2.0	1.0	0.80	95.0
CMPZ4682*	2.7	50	1.0	1.0	0.85	90.0
CMPZ4683*	3.0	50	0.8	1.0	0.90	85.0
CMPZ4684*	3.3	50	7.5	1.5	0.95	80.0
CMPZ4685*	3.6	50	7.5	2.0	0.95	75.0
CMPZ4686*	3.9	50	5.0	2.0	0.97	70.0
CMPZ4687*	4.3	50	4.0	2.0	0.99	65.0
CMPZ4688*	4.7	50	10	3.0	0.99	60.0
CMPZ4689*	5.1	50	10	3.0	0.97	55.0
CMPZ4690*	5.6	50	10	4.0	0.96	50.0
CMPZ4691*	6.2	50	10	5.0	0.95	45.0
CMPZ4692*	6.8	50	10	5.1	0.90	35.0
CMPZ4693*	7.5	50	10	5.7	0.75	31.8
CMPZ4694*	8.2	50	1.0	6.2	0.50	29.0
CMPZ4695*	8.7	50	1.0	6.6	0.10	27.4
CMPZ4696*	9.1	50	1.0	6.9	0.08	26.2
CMPZ4697*	10	50	1.0	7.6	0.10	24.8
CMPZ4698*	11	50	0.05	8.4	0.11	21.6

* Available on special order only, please consult factory. ** $\Delta V_Z = V_Z @ 100\mu\text{A}$ MINUS $V_Z @ 10\mu\text{A}$.

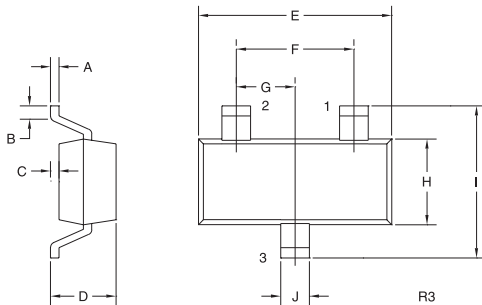
ELECTRICAL CHARACTERISTICS: ($T_A=25^\circ\text{C}$) $V_F=1.5\text{V MAX @ } I_F=100\text{mA}$ FOR ALL TYPES.

TYPE NO.	NOMINAL ZENER VOLTAGE $V_Z @ I_{ZT}$	TEST CURRENT I_{ZT}	MAXIMUM REVERSE LEAKAGE CURRENT $I_R @ V_R$		MAXIMUM VOLTAGE CHANGE** ΔV_Z	MAXIMUM ZENER CURRENT I_{ZM}
	VOLTS	μA	μA	VOLTS	VOLTS	mA
CMPZ4699*	12	50	0.05	9.1	0.12	20.4
CMPZ4700*	13	50	0.05	9.8	0.13	19.0
CMPZ4701*	14	50	0.05	10.6	0.14	17.5
CMPZ4702*	15	50	0.05	11.4	0.15	16.3
CMPZ4703*	16	50	0.05	12.1	0.16	15.4
CMPZ4704*	17	50	0.05	12.9	0.17	14.5
CMPZ4705*	18	50	0.05	13.6	0.18	13.2
CMPZ4706*	19	50	0.05	14.4	0.19	12.5
CMPZ4707*	20	50	0.01	15.2	0.20	11.9
CMPZ4708*	22	50	0.01	16.7	0.22	10.8
CMPZ4709*	24	50	0.01	18.2	0.24	9.9
CMPZ4710*	25	50	0.01	19.0	0.25	9.5
CMPZ4711*	27	50	0.01	20.4	0.27	8.8
CMPZ4712*	28	50	0.01	21.2	0.28	8.5
CMPZ4713*	30	50	0.01	22.8	0.30	7.9
CMPZ4714*	33	50	0.01	25.0	0.33	7.2
CMPZ4715*	36	50	0.01	27.3	0.36	6.6
CMPZ4716*	39	50	0.01	29.6	0.39	6.1
CMPZ4717*	43	50	0.01	32.6	0.43	5.5

* Available on special order only, please consult factory.

** $\Delta V_Z = V_Z @ 100\mu\text{A}$ MINUS $V_Z @ 10\mu\text{A}$.

SOT-23 CASE - MECHANICAL OUTLINE

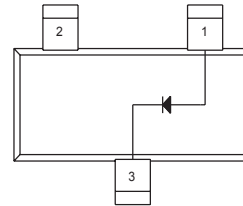


**MARKING CODE:
CONSULT FACTORY**

SYMBOL	DIMENSIONS		DIMENSIONS	
	INCHES		MILLIMETERS	
	MIN	MAX	MIN	MAX
A	0.003	0.007	0.08	0.18
B	0.006	-	0.15	-
C	-	0.005	-	0.13
D	0.035	0.043	0.89	1.09
E	0.110	0.120	2.80	3.05
F	0.075	-	1.90	-
G	0.037	-	0.95	-
H	0.047	0.055	1.19	1.40
I	0.083	0.098	2.10	2.49
J	0.014	0.020	0.35	0.50

SOT-23 (REV: R3)

PINOUT



LEAD CODE:

- 1) ANODE
- 2) NO CONNECTION
- 3) CATHODE

R5 (17-June 2003)