

FCDN605

1-Channel ESD Protector

Product Description

The FCDN605-UBM provides robust ESD protection for sensitive parts that may be subjected to electrostatic discharge (ESD). The tiny form factor and single pad allows it to be used in very confined spaces. The electrical 'back-to-back zener' configuration provides symmetrical ESD protection in cases where nodes with ac signals are present. This device is designed and characterized to safely dissipate ESD strikes of at least ± 15 kV, according to the MIL-STD-883 (Method 3015) specification for Human Body Model (HBM) ESD.

Features

- Compact Die Protects from ESD Discharges
- Almost No Conduction at Signal Amplitudes Less than ± 5 V
- ESD Protection to over ± 15 kV (Human Body Model HBM) per MIL_STD_883 International ESD Standard

Applications

- LED Lighting
- Modules
- Interface Circuits



ON Semiconductor®

<http://onsemi.com>

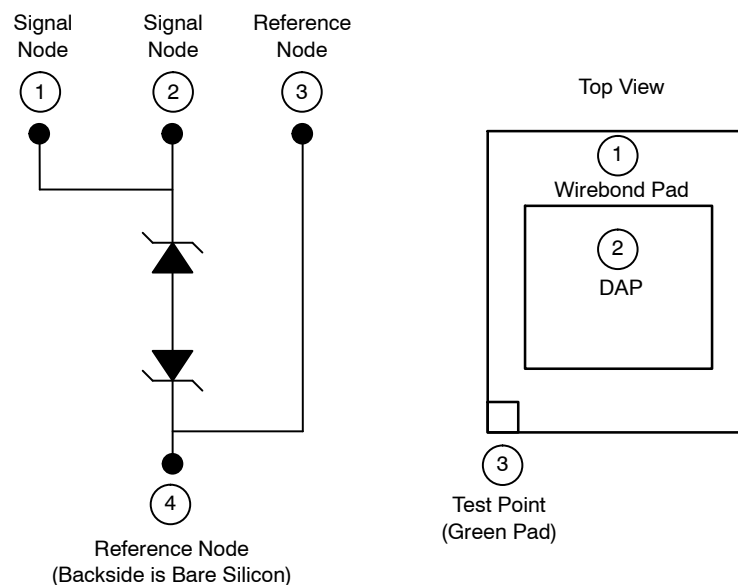


Figure 1. Electrical Schematic and Top View

ORDERING INFORMATION

See detailed ordering and shipping information in the package dimensions section on page 2 of this data sheet.

FCDN605

Table 1. PIN DESCRIPTIONS

FCDN605-UBM (Schematic and Top View)			
Designation	Schematic	Top View	Metal Composition
1	Signal Node	Wirebond Pad	Al
2	Signal Node	DAP	Cu
3	Reference Node	Test Point	-
4	Reference Node	N/A	Bare Silicon

Table 2. ORDERING INFORMATION

Ordering Part Number	DAP (Die Attach Pad)	Backside Metal	BG Thickness	Shipping Method
FCDN605-UBM	Cu (Copper)	Bare Silicon	10 mils	Wafer Form

SPECIFICATIONS

Table 3. ABSOLUTE MAXIMUM RATINGS

Parameter	Rating	Unit
Operating Junction Temperature Range	-40 to +150	°C
Storage Junction Temperature Range	-65 to +150	°C

Stresses exceeding Maximum Ratings may damage the device. Maximum Ratings are stress ratings only. Functional operation above the Recommended Operating Conditions is not implied. Extended exposure to stresses above the Recommended Operating Conditions may affect device reliability.

Table 4. STANDARD OPERATING CONDITIONS

Parameter	Rating	Unit
Operating Junction Temperature Range	-40 to +150	°C

Table 5. ELECTRICAL OPERATING CHARACTERISTICS (See Note 1)

Symbol	Parameter	Test Conditions	Min	Typ	Max	Unit
I_{LEAK}	Leakage Current	$V = \pm 5\text{ V}, 25^\circ\text{C}$ $V = -10\text{ V}, 25^\circ\text{C}$ $V = \pm 5\text{ V}, 150^\circ\text{C}$			+0.35 -0.35 4.0	μA μA mA
V_{CL}	Clamp Voltage on Signal Node Positive Polarity Negative Polarity	$T_A = 25^\circ\text{C}$ at 10 mA at -10 mA	+5 -14	+7 -11.5	+9 -10	V
V_{ESD}	ESD Protection – Withstand Voltage: Human Body Model (MIL-STD-883, Method 3015)	$T_A = 25^\circ\text{C}$	± 15			kV
V_{CL_ESD}	Clamping Voltage on Signal Node for Transients Positive Polarity Negative Polarity	$I_{PP} = 1\text{ A}, t_P = 8/20\ \mu\text{s}$ Positive Transients Negative Transients		+7 -12		V
R_{DYN}	Dynamic Resistance R_{DYN+} R_{DYN-}	$I_{PP} = 1\text{ A}, t_P = 8/20\ \mu\text{s}$ Positive Transients Negative Transients		0.4 0.8		Ω
C_{IN}	Input Capacitance	At 1 MHz, 30 mV osc. Level, 0 VDC Bias (Note 2) At 1 MHz, 30 mV osc. Level, 3 VDC bias		107 79		pF

1. Operating characteristics are over standard operating conditions unless otherwise specified.

FCDN605

MECHANICAL DETAILS

Table 6. MECHANICAL SPECIFICATIONS

Parameter	Condition	Unit
Composition	Silicon Wafer, n+ Doped	
Die Shape	Rectangular	
Length (Stepping Size)	1260	μm
Width (Stepping Size)	1160	μm
BG Thickness	10	mils
Saw Street Widths (Space between Devices on Wafer) (Note 1)	40 (X-Direction) 40 (Y-Direction)	μm
Die Attach Pad Length	720	μm
Die Attach Pad Width	720	μm
Die Attach Pad (DAP)	Cu (Copper)	
Backside Metal	Bare Silicon	

- The saw street is defined as the passivation-free area between devices.

MECHANICAL PACKAGE DIAGRAM

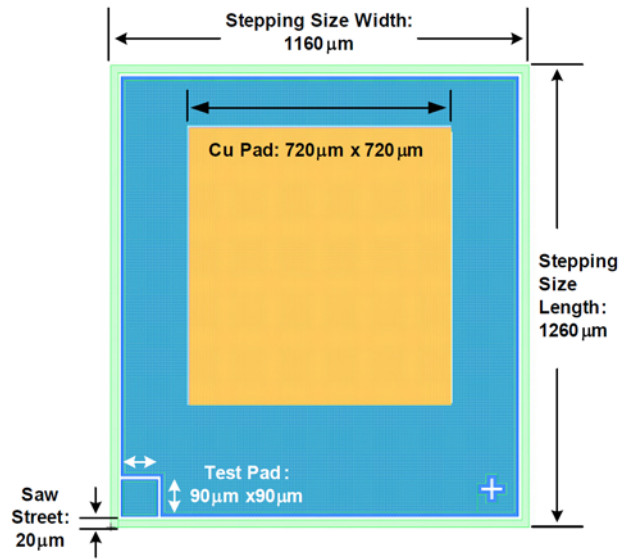


Figure 2. Die Dimensions

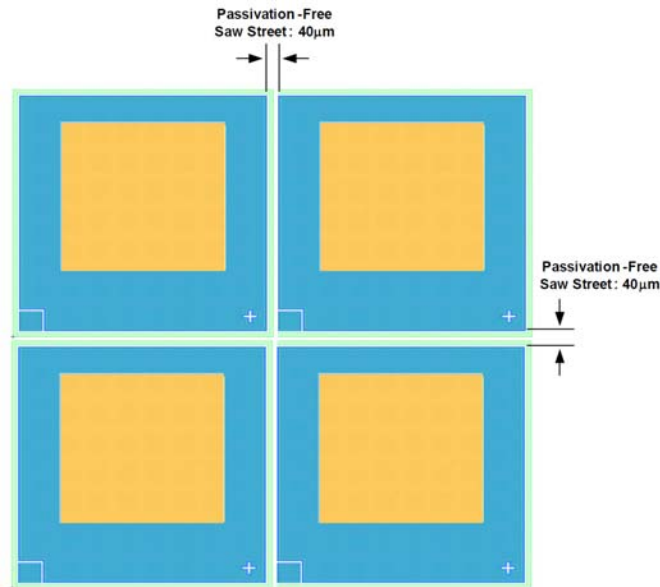


Figure 3. Die-Array on Wafer

ON Semiconductor and **ON** are registered trademarks of Semiconductor Components Industries, LLC (SCILLC). SCILLC reserves the right to make changes without further notice to any products herein. SCILLC makes no warranty, representation or guarantee regarding the suitability of its products for any particular purpose, nor does SCILLC assume any liability arising out of the application or use of any product or circuit, and specifically disclaims any and all liability, including without limitation special, consequential or incidental damages. "Typical" parameters which may be provided in SCILLC data sheets and/or specifications can and do vary in different applications and actual performance may vary over time. All operating parameters, including "Typicals" must be validated for each customer application by customer's technical experts. SCILLC does not convey any license under its patent rights nor the rights of others. SCILLC products are not designed, intended, or authorized for use as components in systems intended for surgical implant into the body, or other applications intended to support or sustain life, or for any other application in which the failure of the SCILLC product could create a situation where personal injury or death may occur. Should Buyer purchase or use SCILLC products for any such unintended or unauthorized application, Buyer shall indemnify and hold SCILLC and its officers, employees, subsidiaries, affiliates, and distributors harmless against all claims, costs, damages, and expenses, and reasonable attorney fees arising out of, directly or indirectly, any claim of personal injury or death associated with such unintended or unauthorized use, even if such claim alleges that SCILLC was negligent regarding the design or manufacture of the part. SCILLC is an Equal Opportunity/Affirmative Action Employer. This literature is subject to all applicable copyright laws and is not for resale in any manner.

PUBLICATION ORDERING INFORMATION

LITERATURE FULFILLMENT:
Literature Distribution Center for ON Semiconductor
P.O. Box 5163, Denver, Colorado 80217 USA
Phone: 303-675-2175 or 800-344-3860 Toll Free USA/Canada
Fax: 303-675-2176 or 800-344-3867 Toll Free USA/Canada
Email: orderlit@onsemi.com

N. American Technical Support: 800-282-9855 Toll Free
USA/Canada
Europe, Middle East and Africa Technical Support:
Phone: 421 33 790 2910
Japan Customer Focus Center
Phone: 81-3-5773-3850

ON Semiconductor Website: www.onsemi.com
Order Literature: <http://www.onsemi.com/orderlit>
For additional information, please contact your local Sales Representative