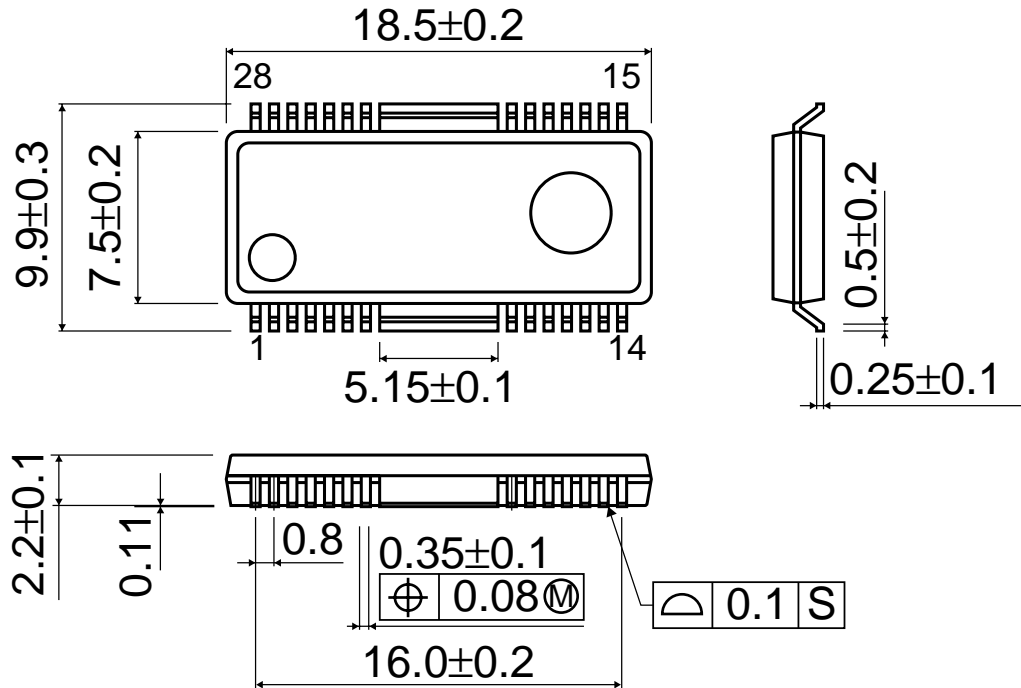


(Units : mm)

• HSOP28 / HSOP-M28

* The contents described herein are subject to change without notice.