

**Triacs**

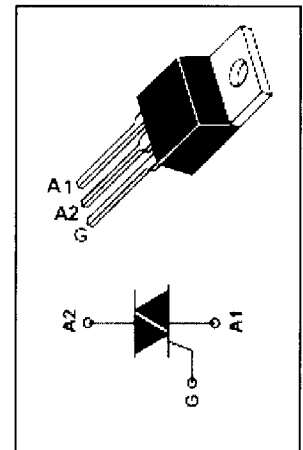
**TIC225M**

**FEATURES**

- With TO-220 package
- Sensitive Gate Triacs
- Glass Passivated
- Max  $I_{GT}$  of 5 mA (Quadrants 1)

**ABSOLUTE MAXIMUM RATINGS(Ta=25°C)**

SYMBOL	PARAMETER	MIN	UNIT
$V_{DRM}$	Repetitive peak off-state voltage	600	V
$V_{RRM}$	Repetitive peak reverse voltage	600	V
$I_{T(RMS)}$	RMS on-state current (full sine wave) $T_C=70^\circ C$	8	A
$I_{TSM}$	Non-repetitive peak on-state current	70	A
$T_j$	Operating junction temperature	110	°C
$T_{stg}$	Storage temperature	-45~150	°C
$R_{th(j-c)}$	Thermal resistance, junction to case	2.5	°C/W
$R_{th(j-a)}$	Thermal resistance, junction to ambient	62.5	°C/W



**ELECTRICAL CHARACTERISTICS (Tc=25°C unless otherwise specified)**

SYMBOL	PARAMETER	CONDITIONS	MAX	UNIT	
$I_{DRM}$	Repetitive peak off-state current	$V_D=V_{DRM}, T_C=110^\circ C$	2.0	mA	
$I_{GT}$	Gate trigger current	$V_{supply} = 12 V; R_L = 10 \Omega; t_{p(g)} > 20 \mu s$	I	5	mA
			II	20	
			III	10	
			IV	30	
$I_H$	Holding current	$V_{supply} = 12 V; I_G = 0$ initial $I_{TM} = 100mA$	20	mA	
$V_{GT}$	Gate trigger voltage <b>all quadrant</b>	$V_{supply} = 12 V; R_L = 10 \Omega; t_{p(g)} > 20 \mu s$	2	V	
$V_{TM}$	On-state voltage	$I_T = 12A; I_G = 50mA$	2.1	V	

NJ Semi-Conductors reserves the right to change test conditions, parameter limits and package dimensions without notice. Information furnished by NJ Semi-Conductors is believed to be both accurate and reliable at the time of going to press. However, NJ Semi-Conductors assumes no responsibility for any errors or omissions discovered in its use. NJ Semi-Conductors encourages customers to verify that datasheets are current before placing orders.

