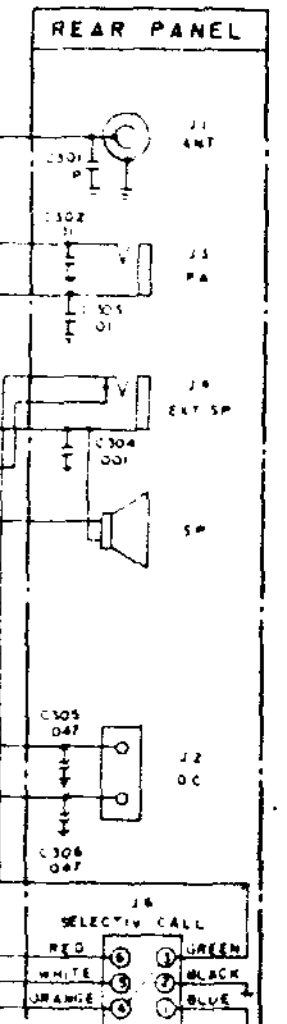
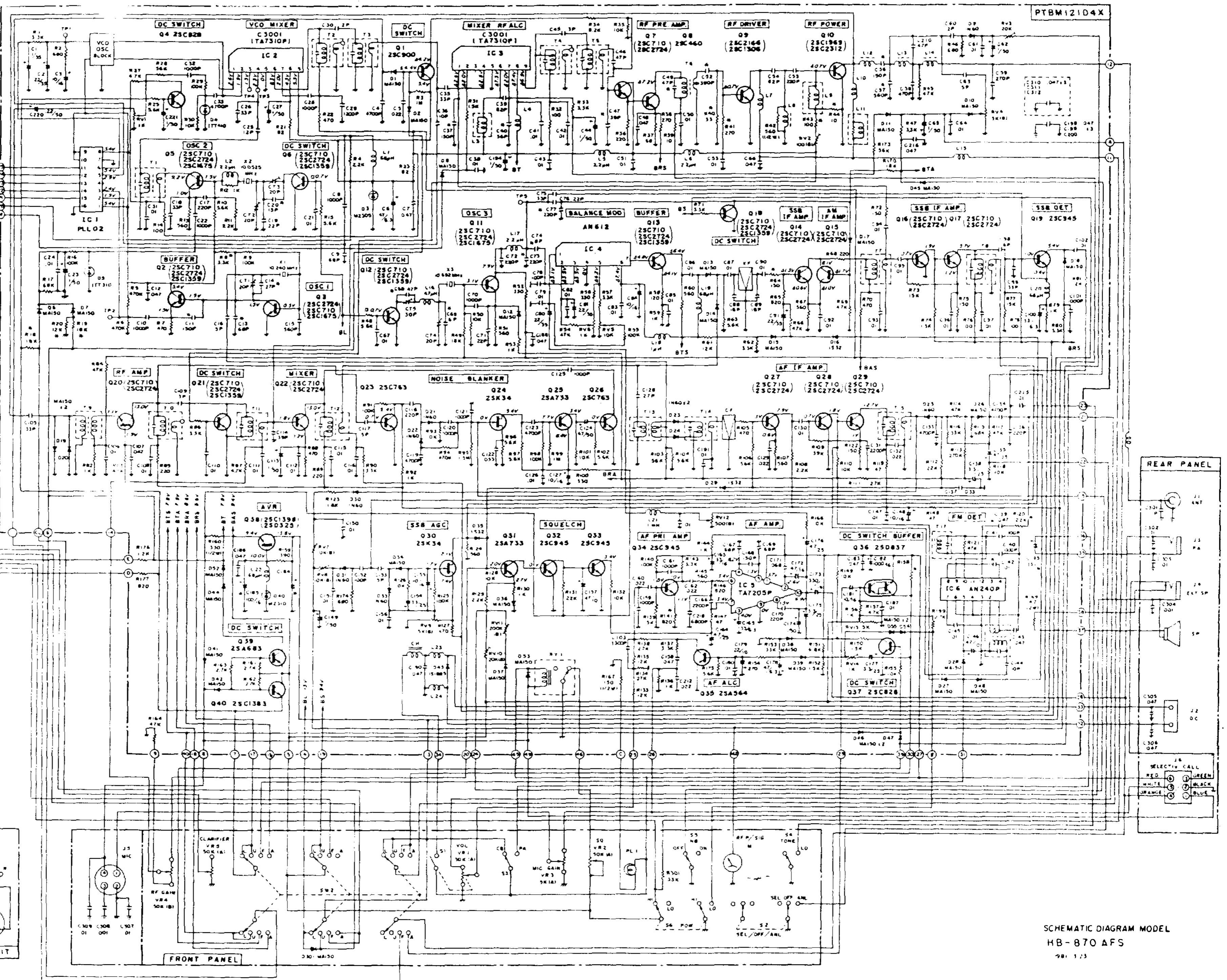
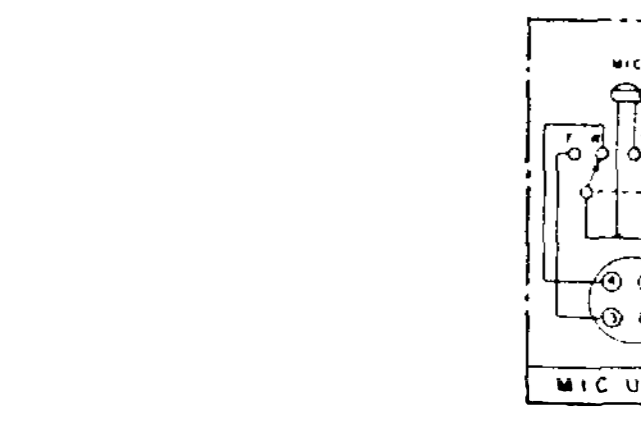
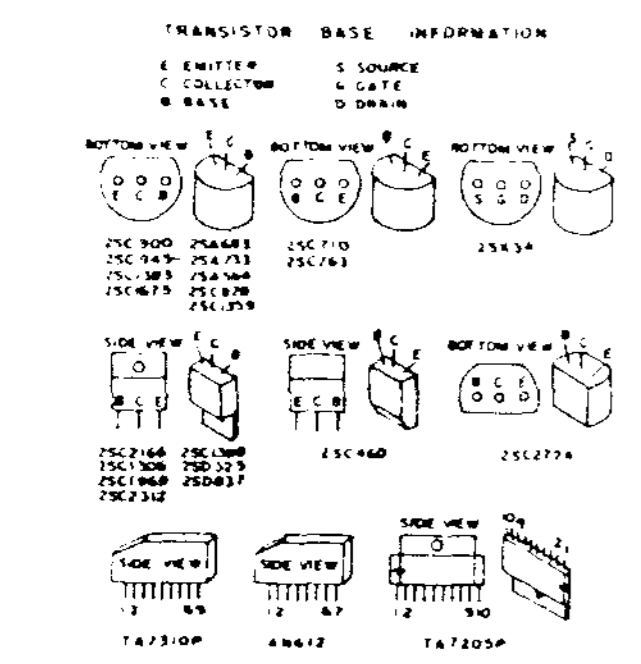
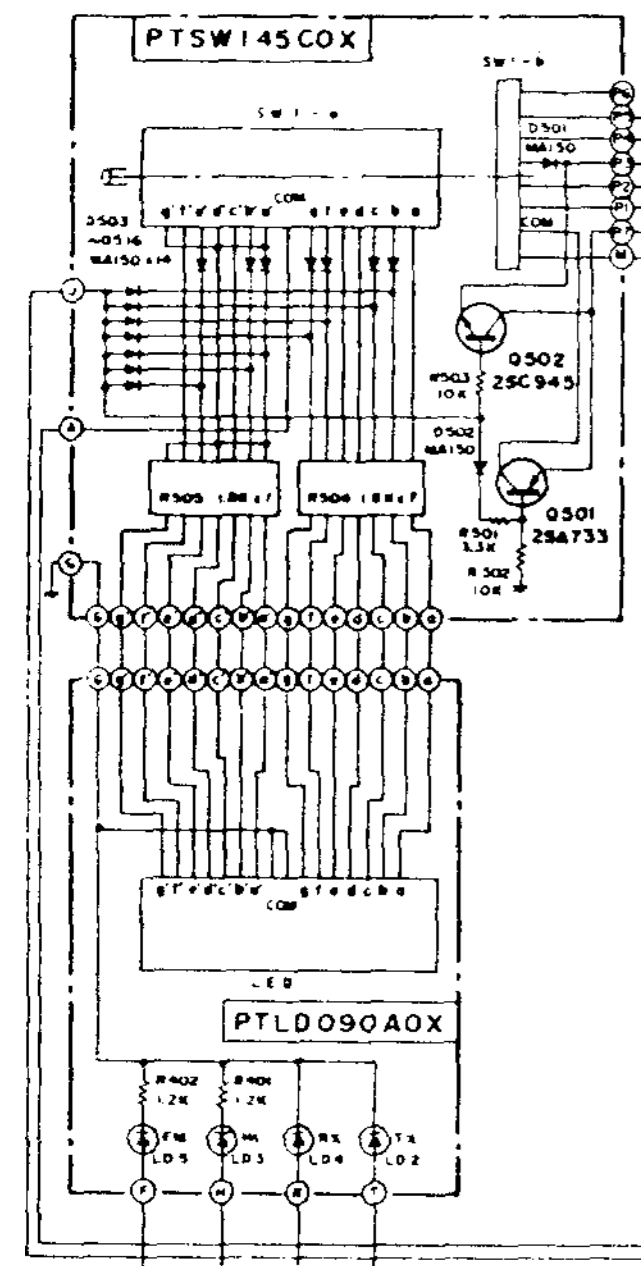


ALL VOLTAGES MEASURED FROM PC BOARD GROUND WITH DC VTVM AT NO SIGNAL (AT 13 BY POWER SUPPLY). IF MEASUREMENT VALUES OBTAINED ARE IN EXCESS OF 120% OF VALUES SHOWN, THE REASON FOR DIFFERENCE SHOULD BE CORRECTED.

\* FTZ D LSB 11 AM 1K  
 † CHASSIS GND  
 ‡ PC BOARD GND  
 § ADJUSTED (TYPICAL VALUE SHOWN)



SCHEMATIC DIAGRAM MODEL  
 HB-870 AFS  
 981 1/75