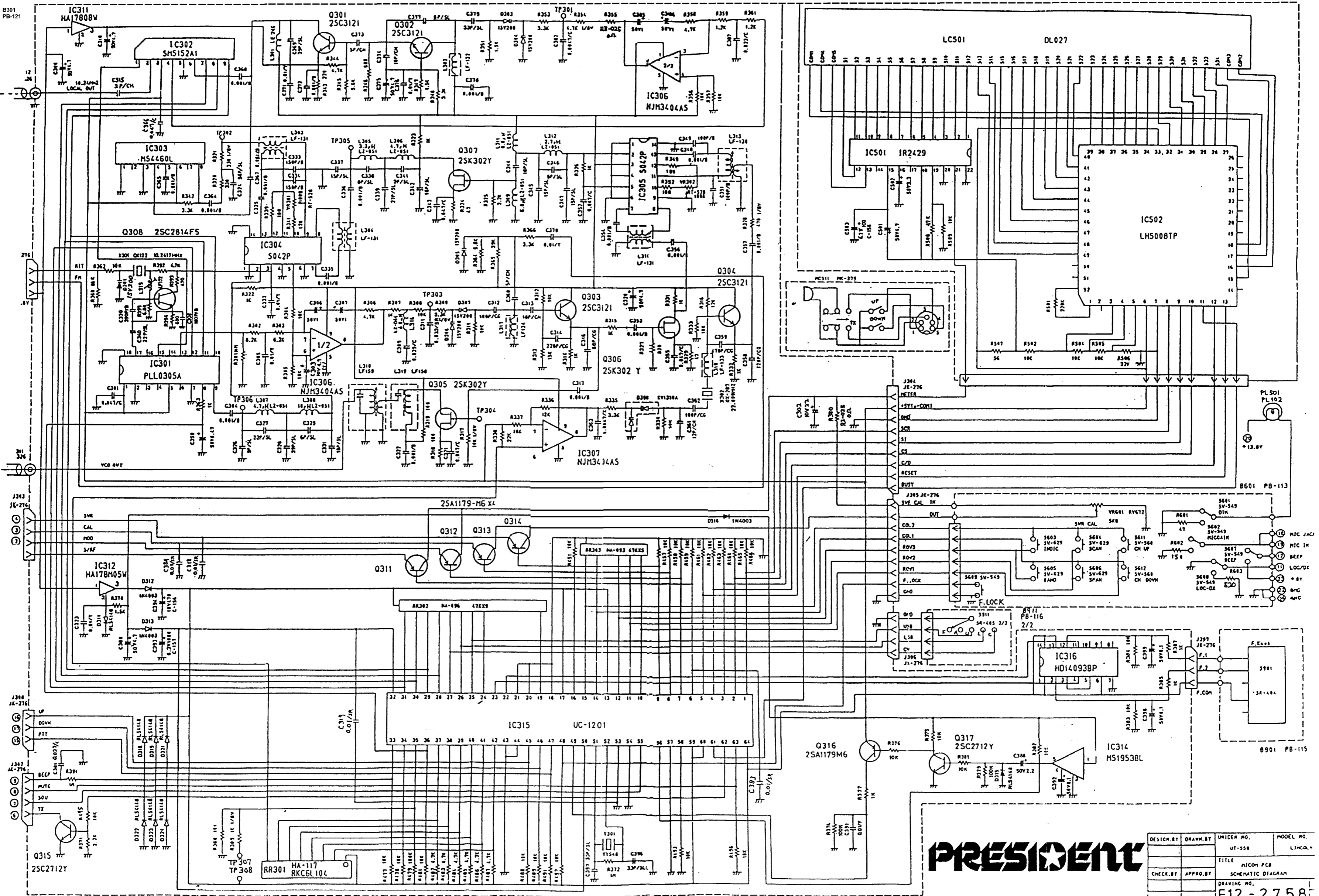


LINCOLN

**PRESIDENT**

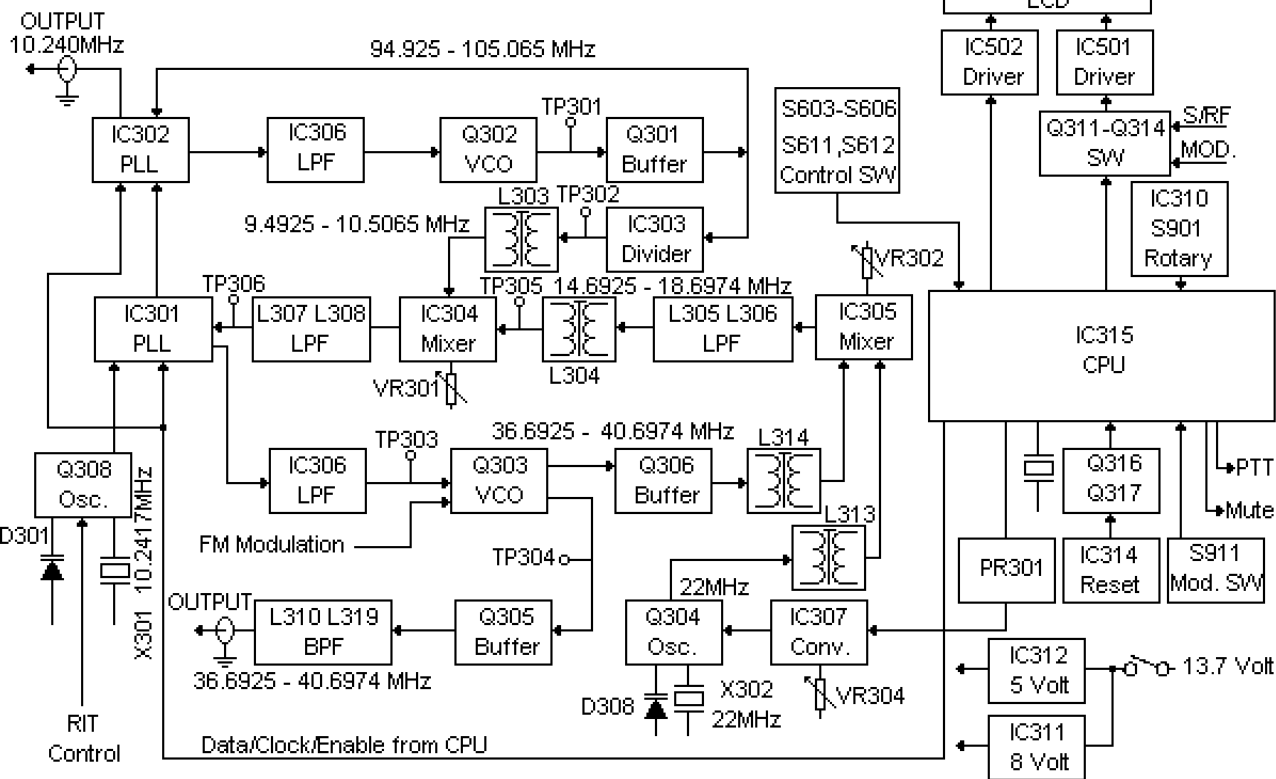
TITLE		SCHEMATIC DIAGRAM (1/2)	
CHECK BY	APPRO BY	DRAWING NO.	REV
		E12-2757	MAR

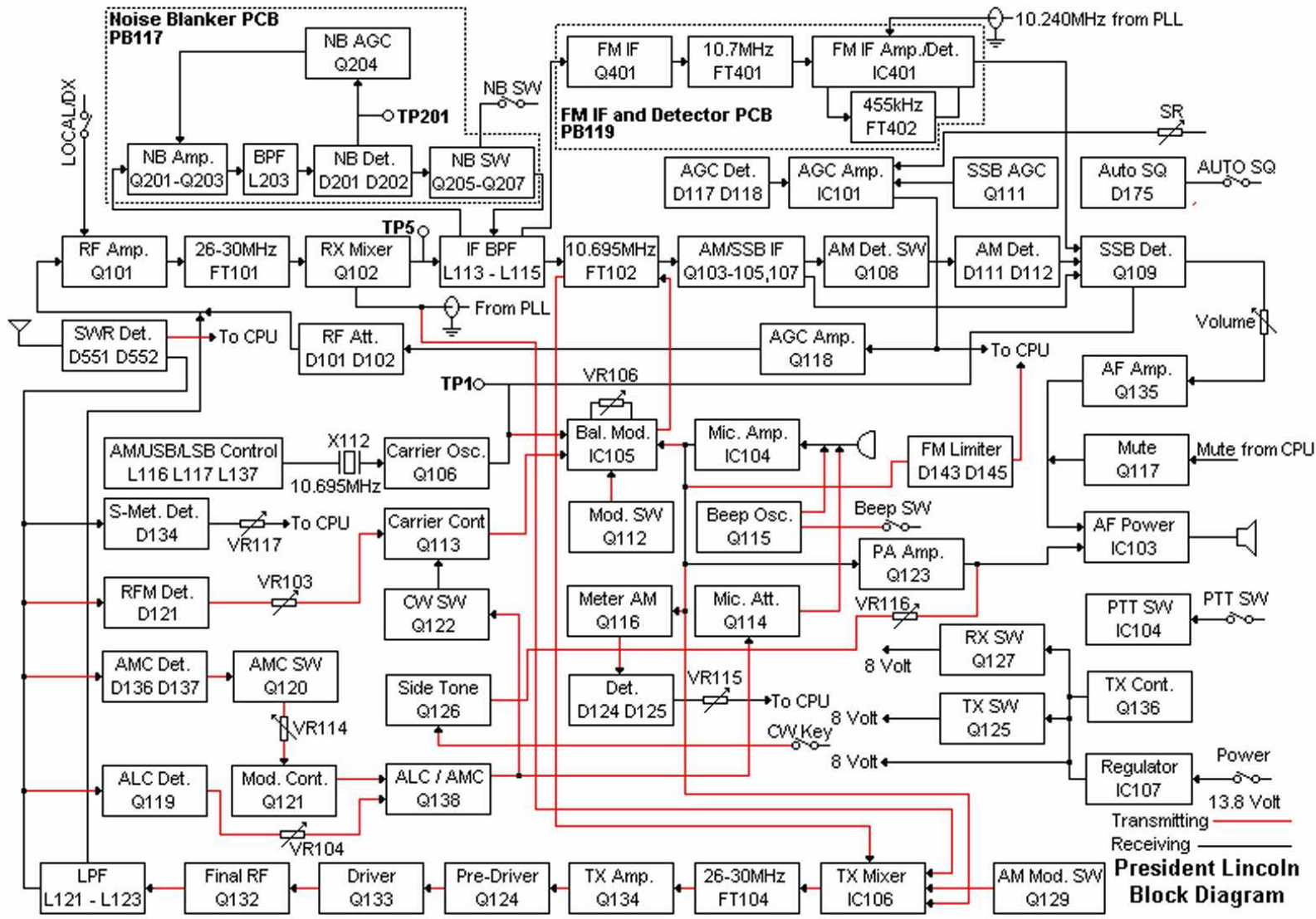


# PRESIDENT

DESIGN BY	DRAWN BY	UNICOR NO.	MODEL NO.
		UT-558	LMCA-
CHECK BY	APPROV BY	TITLE	NICOM PCB SCHEMATIC DIAGRAM
		DRAWING NO.	E12-2758

# PLL and CPU Board





# CPU and PLL Board

