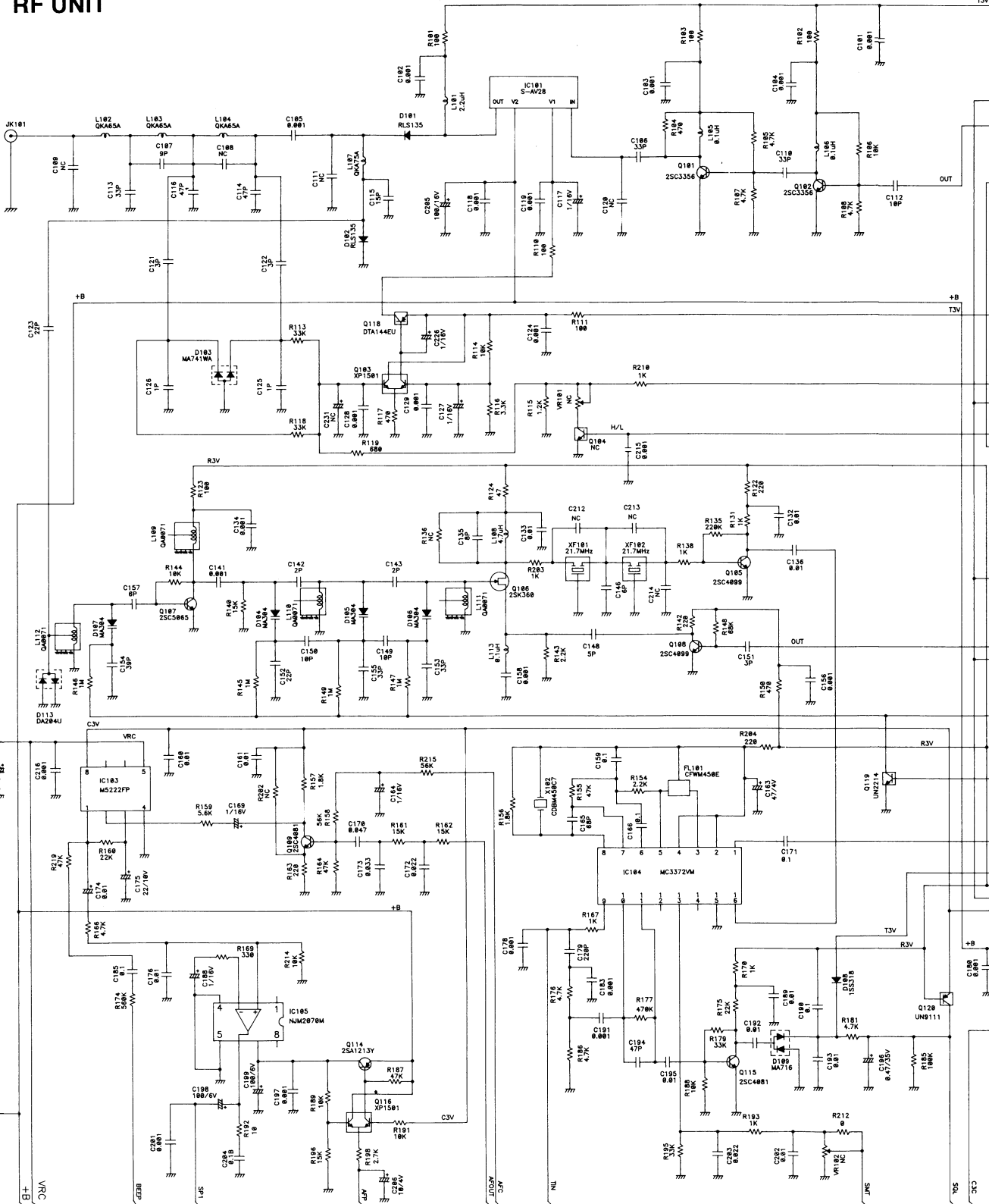
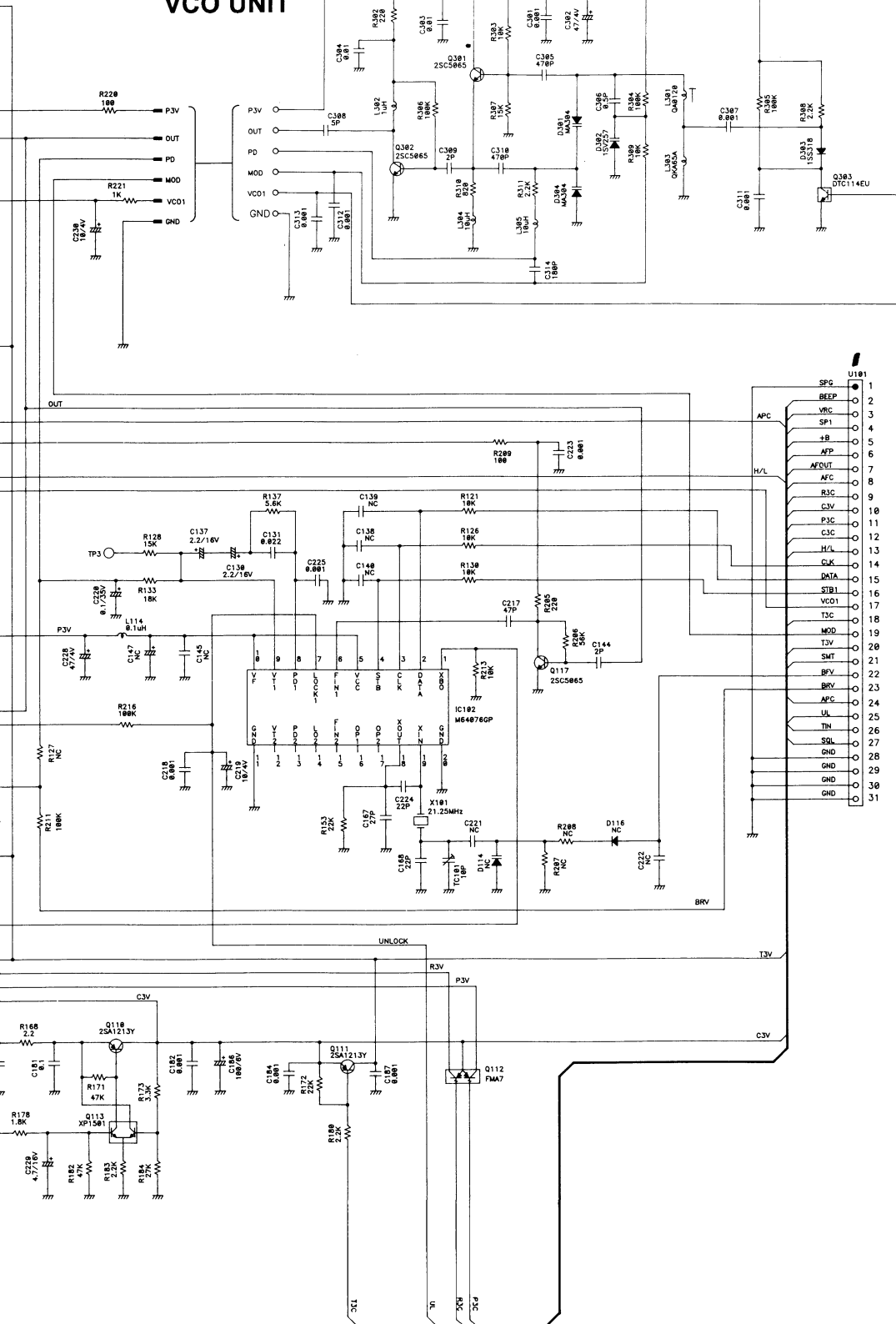


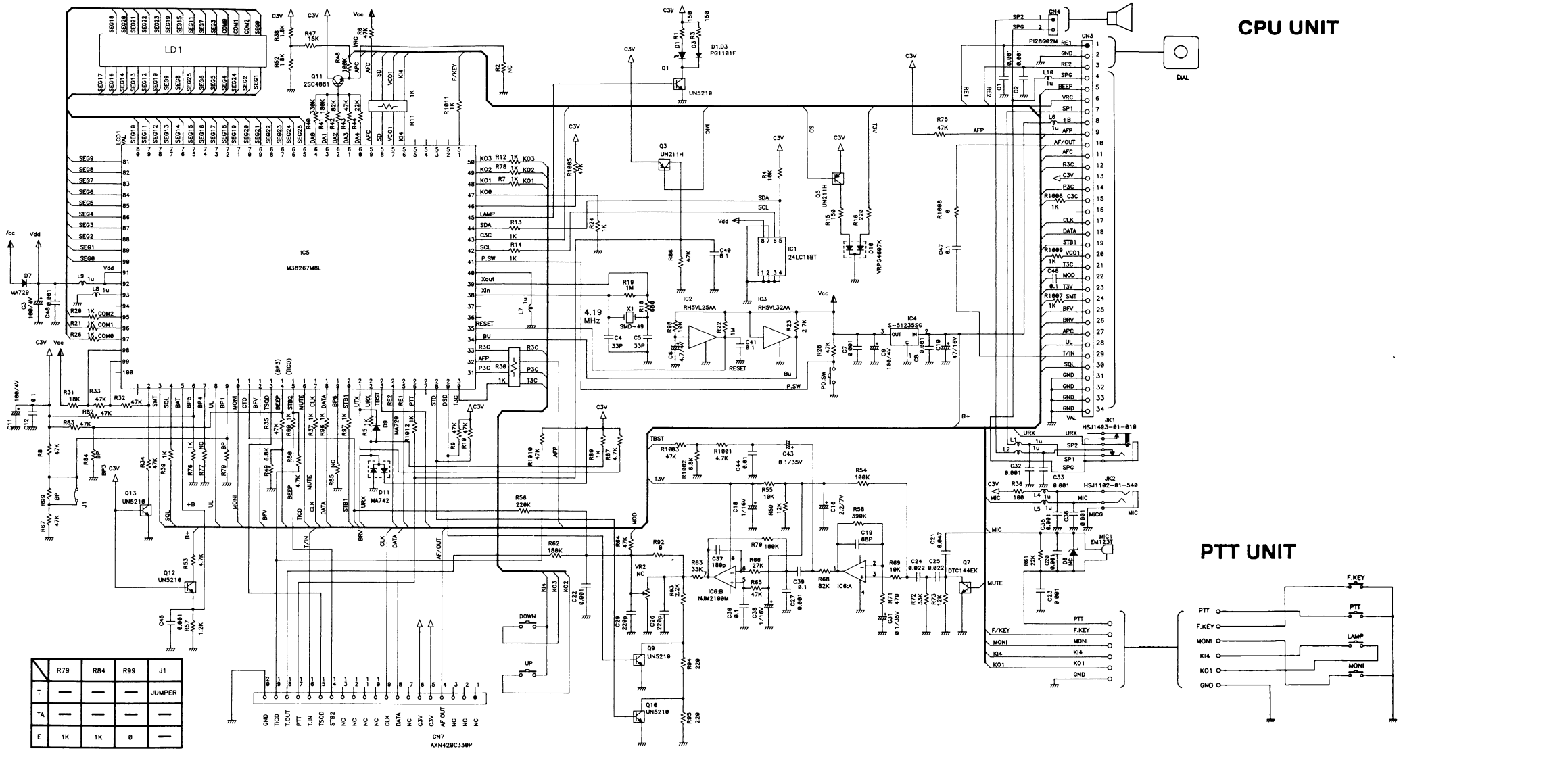
**RF UNIT**



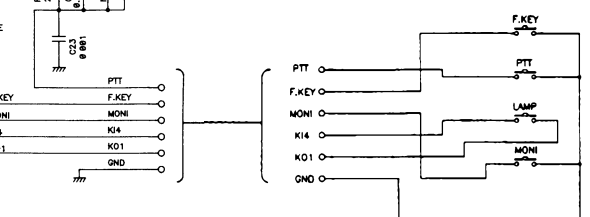
**VCO UNIT**



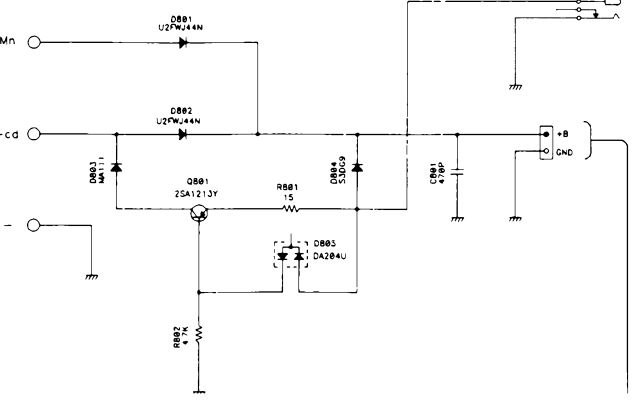
**CPU UNIT**



**PTT UNIT**



**CHARGE UNIT**



**SCHEMATIC DIAGRAM DJ-190T/E**

T	R79	R84	R99	J1
TA				JUMPER
E	1K	1K	8	