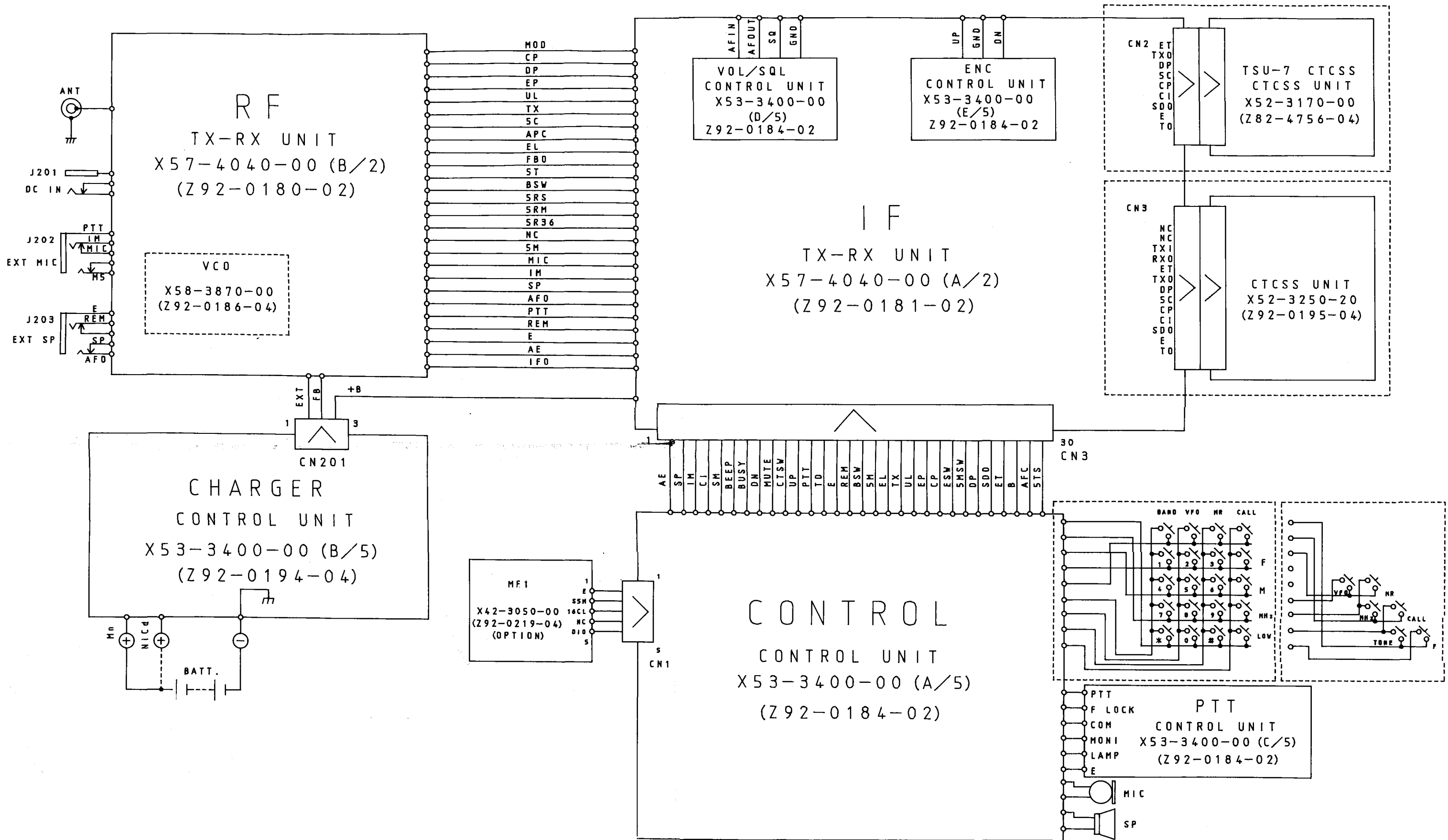
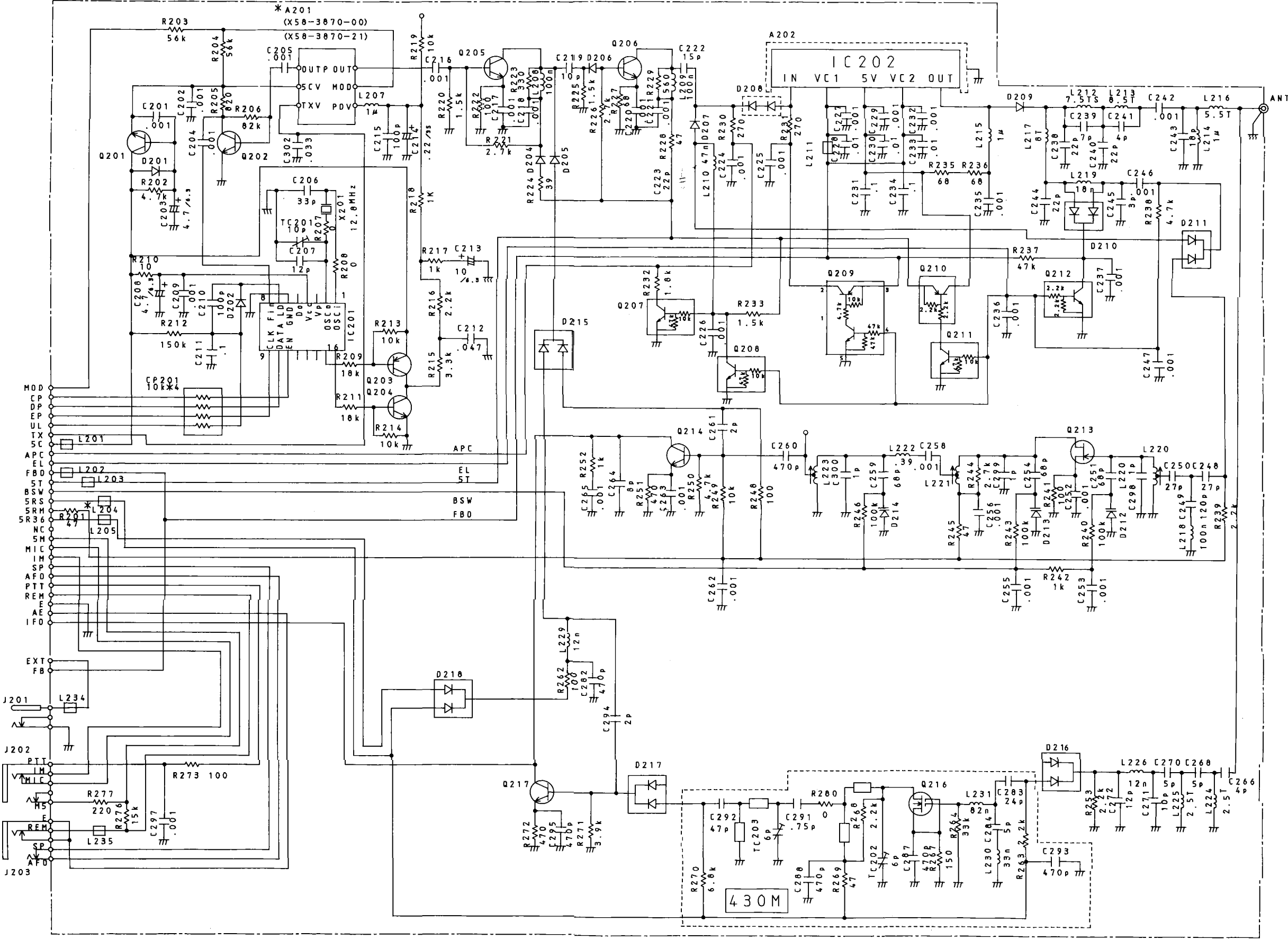


TH-28A/E SCHEMATIC DIAGRAM





Note: Circuit is subject to change without notice due to advancements in technology.