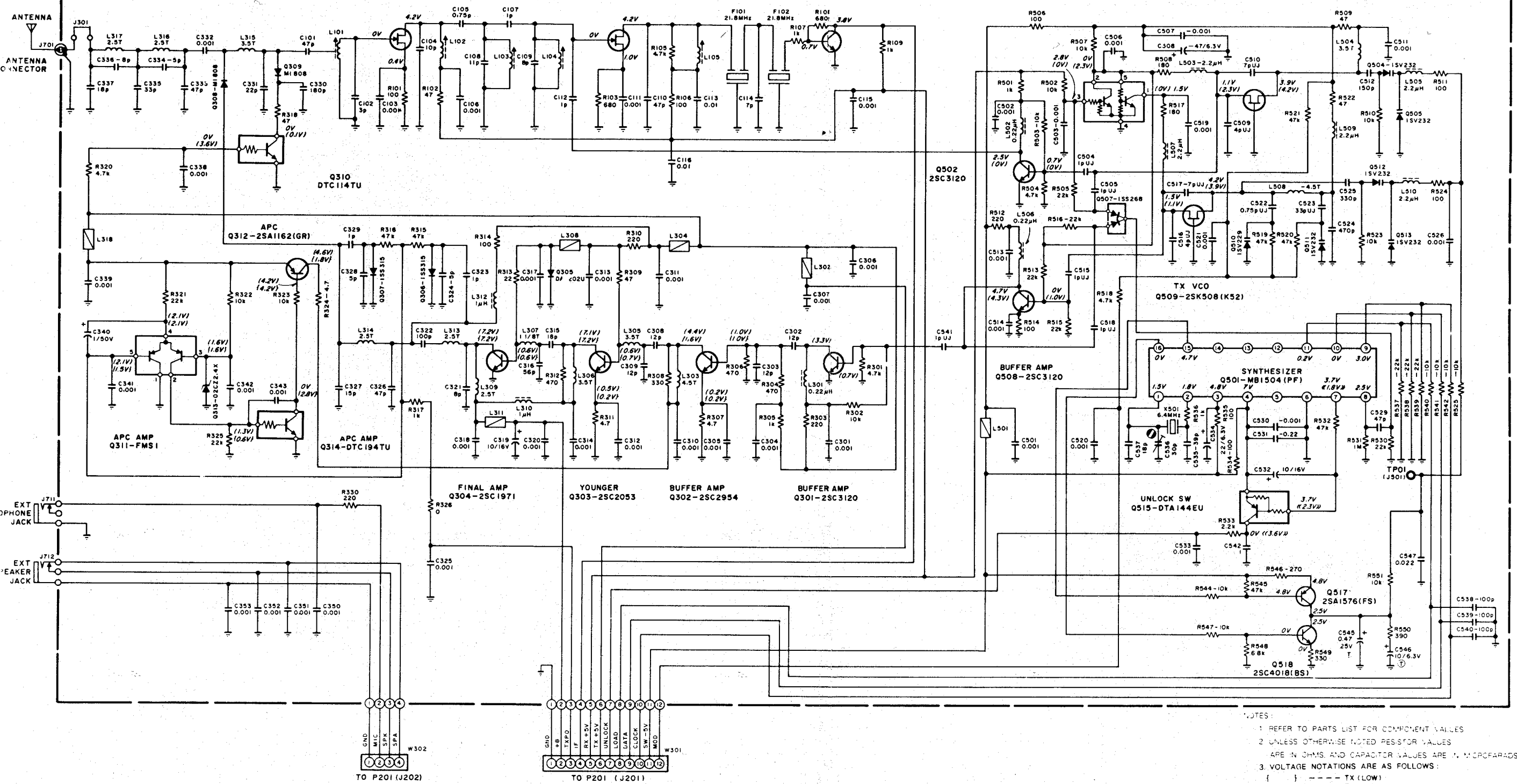


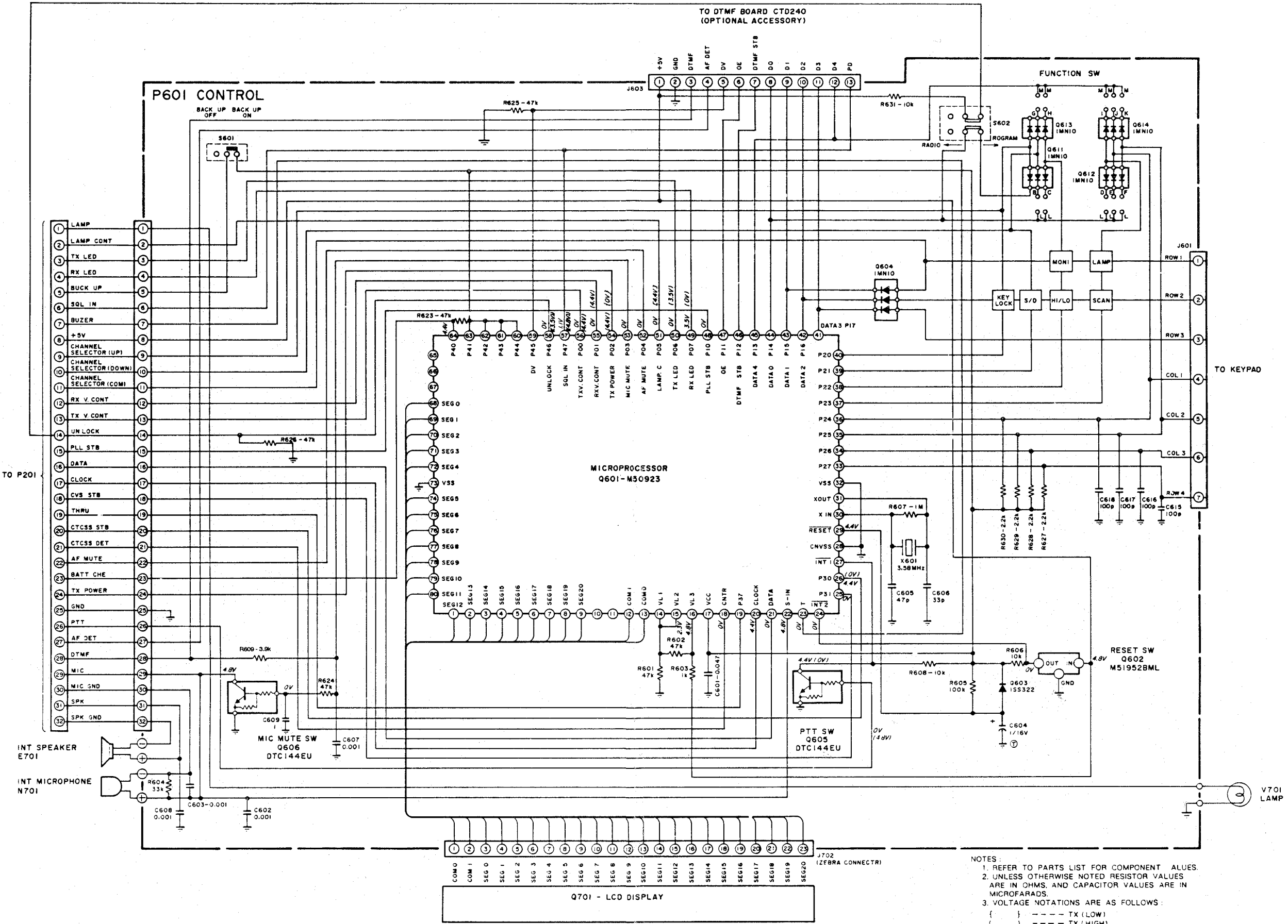
Figure 7-5. HX240V P201 IF Schematic

NOTES:
 1. REFER TO PARTS LIST FOR COMPONENT VALUES
 2. UNLESS OTHERWISE NOTED RESISTOR VALUES ARE IN OHMS, AND CAPACITOR VALUES ARE IN MICROFARADS.
 3. VOLTAGE NOTATIONS ARE AS FOLLOWS:
 () --- TX (LOW)
 () --- TX (HIGH)
 « » --- UNLOCK
 () --- SOL ON
 [] --- LAMP ON
 NOMARKING --- RX

PI01 TX / RX



- NOTES:
1. REFER TO PARTS LIST FOR COMPONENT VALUES
 2. UNLESS OTHERWISE NOTED RESISTOR VALUES ARE IN OHMS AND CAPACITOR VALUES ARE IN MICROFARADS
 3. VOLTAGE NOTATIONS ARE AS FOLLOWS:
 { } ----- TX (LOW)
 () ----- TX (HIGH)
 << ----- UNLOCK
 <<< ----- SQL ON
 [] ----- LAMP ON
 NOMARKING ----- RX



- NOTES:
1. REFER TO PARTS LIST FOR COMPONENT VALUES.
 2. UNLESS OTHERWISE NOTED RESISTOR VALUES ARE IN OHMS, AND CAPACITOR VALUES ARE IN MICROFARADS.
 3. VOLTAGE NOTATIONS ARE AS FOLLOWS:
- { } ----- TX (LOW)
 - () ----- TX (HIGH)
 - <> ----- UNLOCK
 - () ----- SQL ON
 - [] ----- LAMP ON
 - NOMARKING ----- RX

Figure 7-7. HX240V P601 Control Schematic