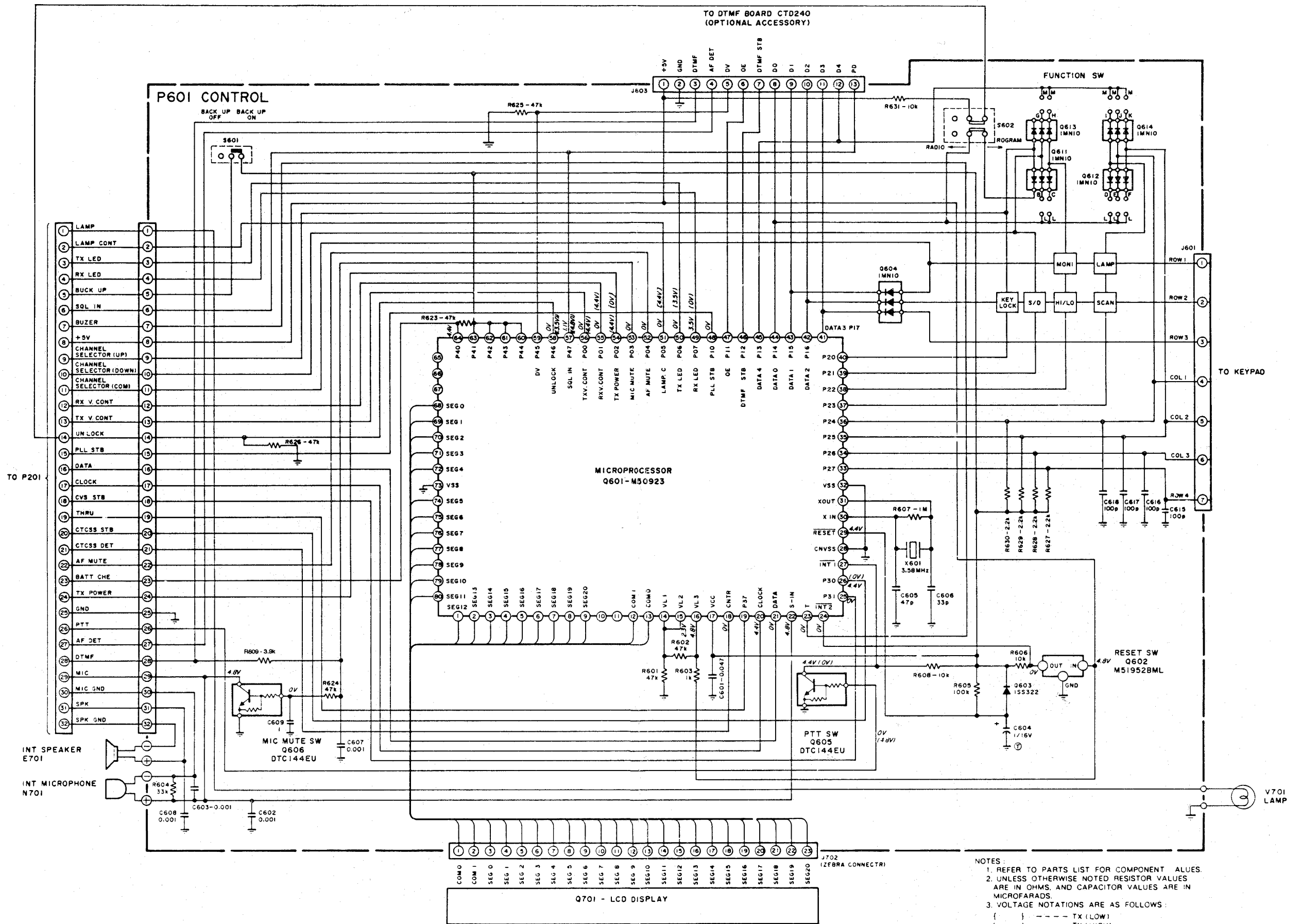


- NOTES
1. REFER TO PARTS LIST FOR COMPONENT VALUES
 2. UNLESS OTHERWISE NOTED RESISTOR VALUES ARE IN OHMS, AND CAPACITOR VALUES ARE IN MICROFARADS
 3. VOLTAGE NOTATIONS ARE AS FOLLOWS:
 - { } ----- TX (LOW)
 - () ----- TX (HIGH)
 - << >> ----- UNLOCK
 - [] ----- SQL ON
 - [] ----- LAMP ON
 - NOMARKING ----- RX

Figure 7-5. HX240V P201 IF Schematic



- NOTES:
1. REFER TO PARTS LIST FOR COMPONENT VALUES.
 2. UNLESS OTHERWISE NOTED RESISTOR VALUES ARE IN OHMS, AND CAPACITOR VALUES ARE IN MICROFARADS.
 3. VOLTAGE NOTATIONS ARE AS FOLLOWS:
- | | | |
|-----------|-------|-----------------|
| { | } | ----- TX (LOW) |
| (|) | ----- TX (HIGH) |
| < | > | ----- UNLOCK |
| [[|]] | ----- SQL ON |
| [|] | ----- LAMP ON |
| NOMARKING | ----- | RX |

Figure 7-7. HX240V P601 Control Schematic