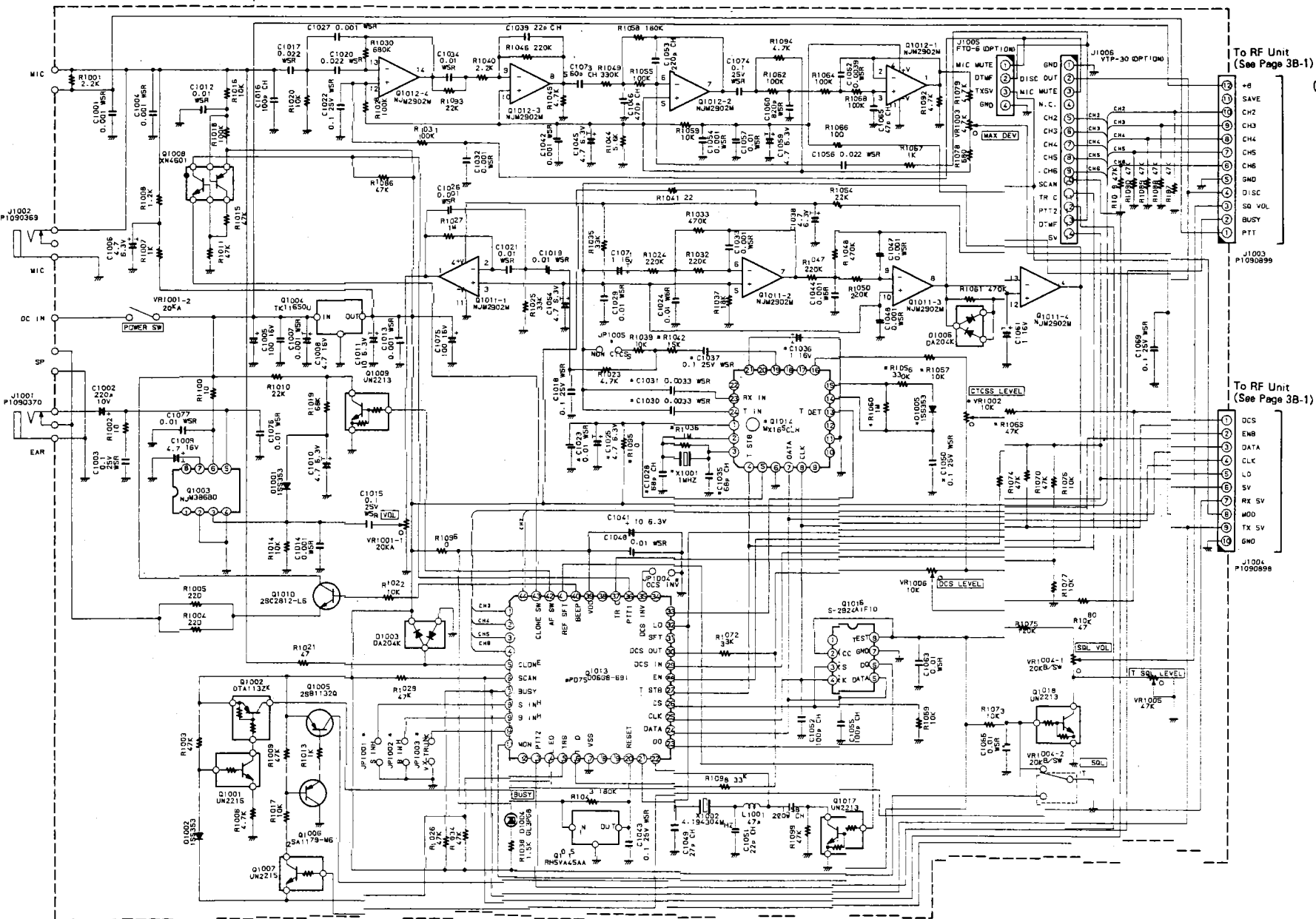


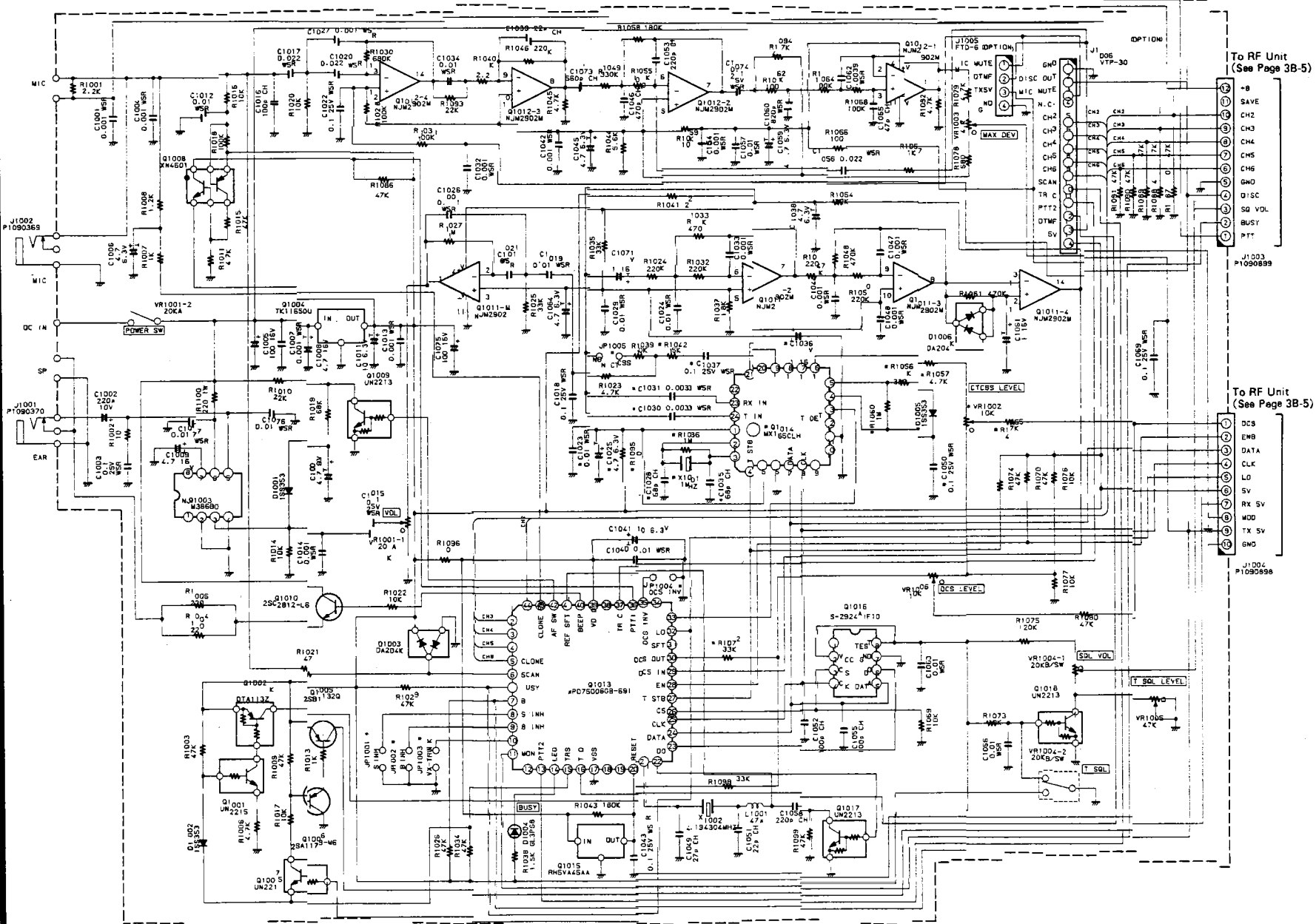
Circuit Diagram



To RF Unit  
(See Page 3B-1)

To RF Unit  
(See Page 3B-1)

Circuit Diagram

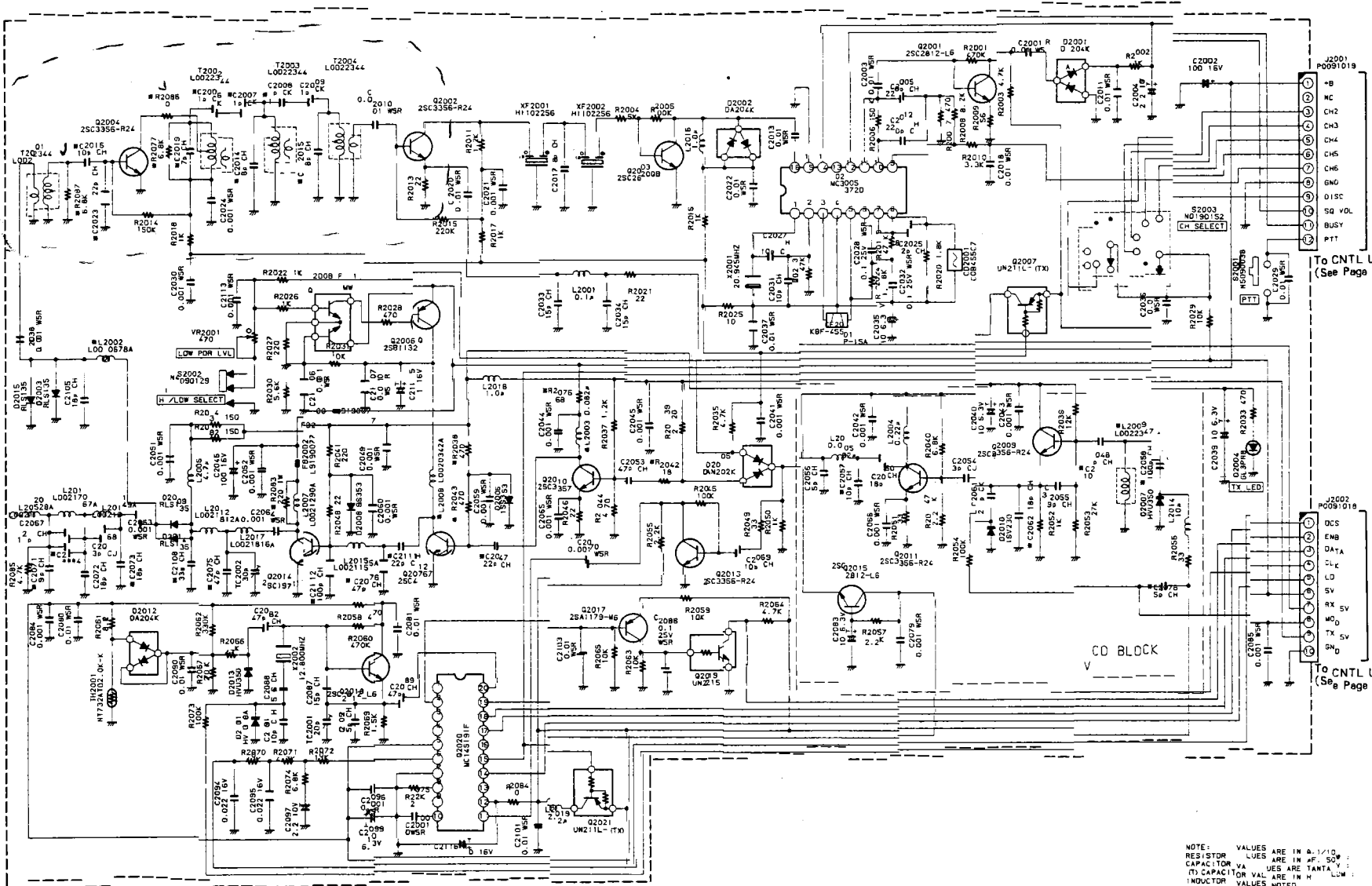


To RF Unit (See Page 3B-5)

To RF Unit (See Page 3B-5)

To RF Unit (See Page 3B-5)

Circuit Diagram



NOTE: VALUES ARE IN A.1/10.  
 RESISTOR VALUES ARE IN AF. 50%  
 CAPACITOR VALUES ARE TANTALUM.  
 TO CAPACITOR VAL. ARE IN M.  
 INDUCTOR VALUES ARE IN M.  
 UNLESS OTHERWISE NOTED.