

Service Manual

Telephone Equipment

KX-TCD951RUB

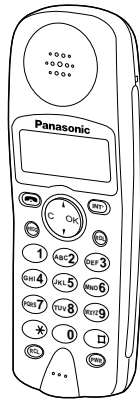
Simplified

Digital Cordless Phone

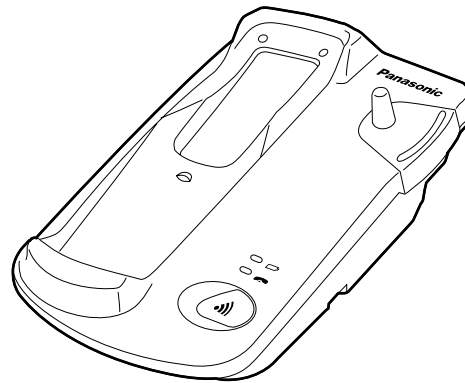
Black Version

(for Russia)

Please use this manual together with the original Service Manual for model KX-TCD951GB/KX-TCD955GC order No.KM49910781C2. This Service Manual indicates the main differences between: Original KX-TCD951GB /KX-TCD955GC and KX-TCD951RUB.



(Handset)



(Base Unit)

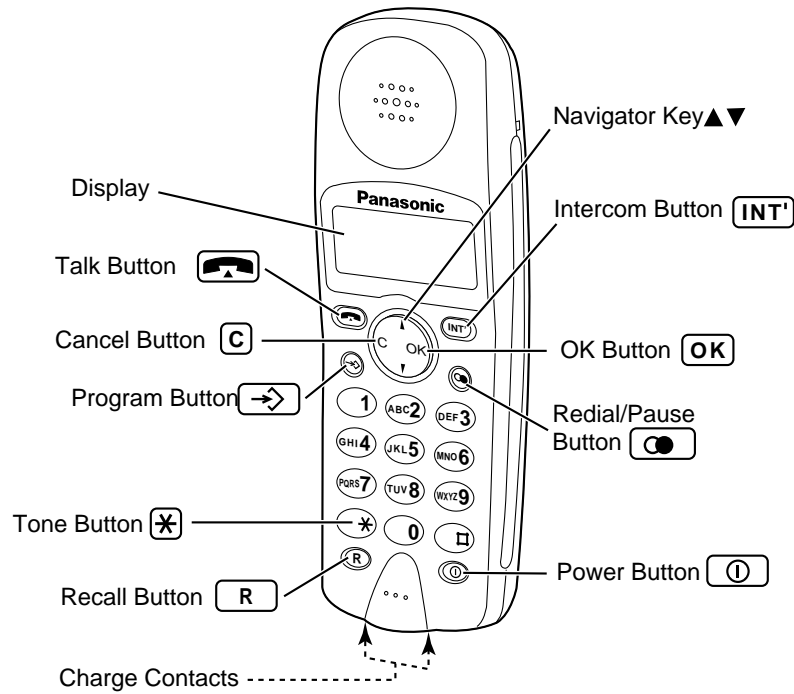
 **WARNING**

This service information is designed for experienced repair technicians only and is not designed for use by the general public. It does not contain warnings or cautions to advise non-technical individuals of potential dangers in attempting to service a product. Products powered by electricity should be serviced or repaired only by experienced professional technicians. Any attempt to service or repair the product or products dealt with in this service information by anyone else could result in serious injury or death.

Panasonic

©2000 Kyushu Matsushita Electric Co., Ltd.
All rights reserved. Unauthorized copying and distribution is a violation of law.

• **LOCATION OF CONTROLS (Change from original page 3)**




• **Battery Information (Change from original page 7)**

The underlined parts has been added to the original.

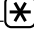
- * Nickel metal hydride (Ni-MH) rechargeable batteries (AAA size) are available.
When you replace the batteries, you must program the battery type selection.

• **TO REDIAL AFTER CONFIRMING THE NUMBERS IN REDIAL MEMORY (Changw from original page 11)**

The underlined parts has been added to the original.

3 Press .

- The number is dialed automatically.

• If your line has rotary or pluse service, any access numbers entered after pressing  will not be included when redialing.

(Model KX-TCD951RUB)

• **¡ CHECK PROCEDURE (Change from original page 41)**

TEST EQUIPMENT REQUIRED AND EQUIPMENT SETUP

Connect a 3.9V supply to the board **J5 (+), J8 (-)**.

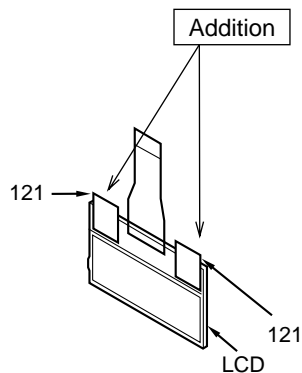
INITIAL POWER + BBIC TESTS

4. Check the 3.0V supply voltage (TP10). It must be **2.85 +/- 0.3V**.
5. Connect RFCLK (TP56) to CH.1 on the scope. **Send batch file RFCLK1**.
6. Check if the clock waveform is 10,368.000 kHz, **+/- 40Hz**.
7. Send batch file "SELF TEST". **The first 4digits are FLASH ROM checksum, the next 2 digits are RAM test, and must be 00**

SET CLOCK FREQUENCY

1. Send batch file "RFCLK1".
3. Send batch file "SET FREQ nn" to set the clock frequency. The default value of nn is 80. Increase the value to increase the frequency. The clock frequency must be 10,368.000 kHz \pm **0.04 kHz**.

• **¡ CABINET AND ELECTRICAL PARTS LOCATION (HANDSET) [Change from original page 54]**

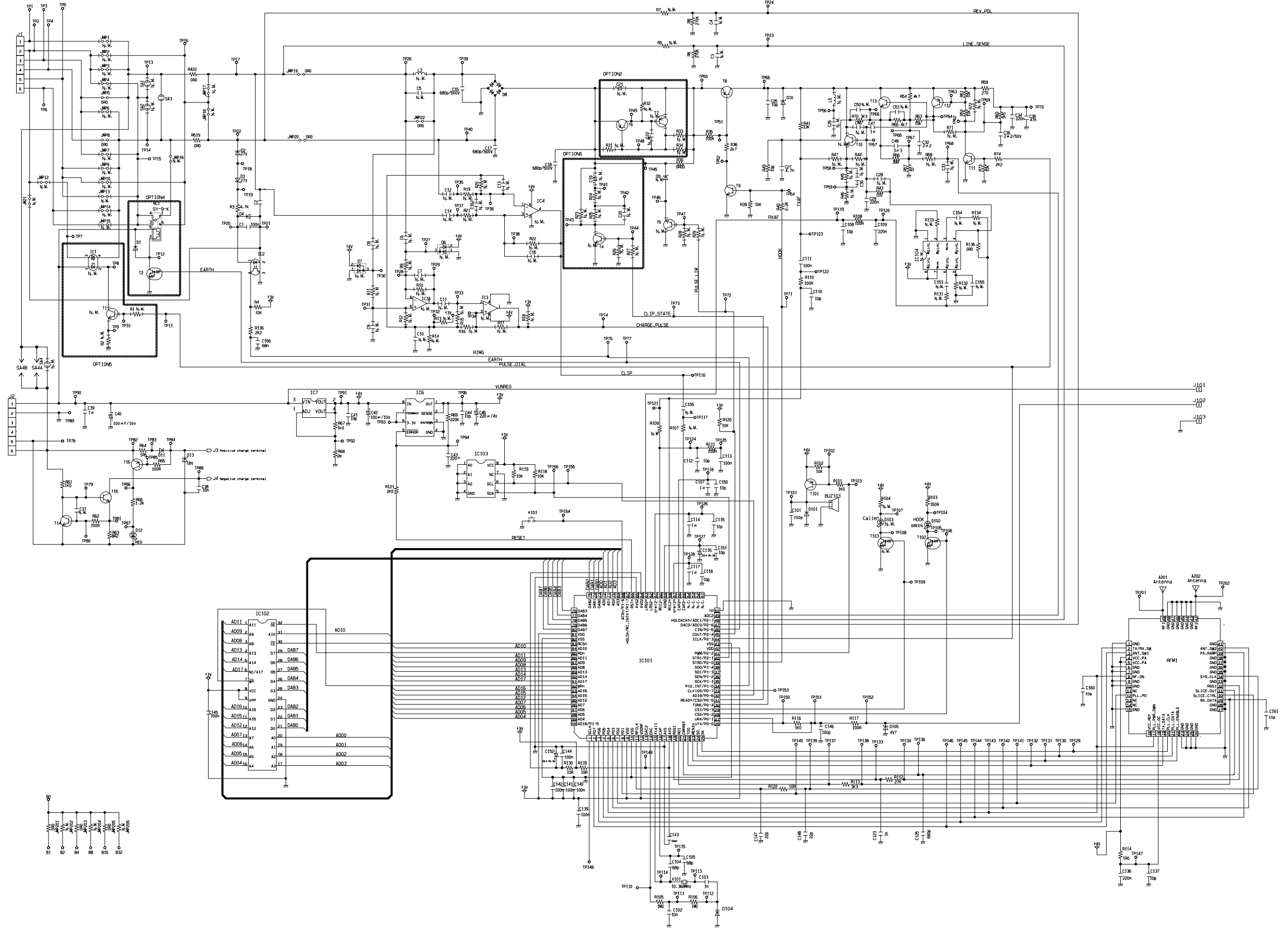


(Model KX-TCD951RUB)

SCHEMATIC DIAGRAM (Base Unit) [Change from original page 17]

1 2 3 4 5 6 7 8 9 10 11 12

A
B
C
D
E
F
G
H



SCHEMATIC DIAGRAM (Handset) [Change from original page 18]

