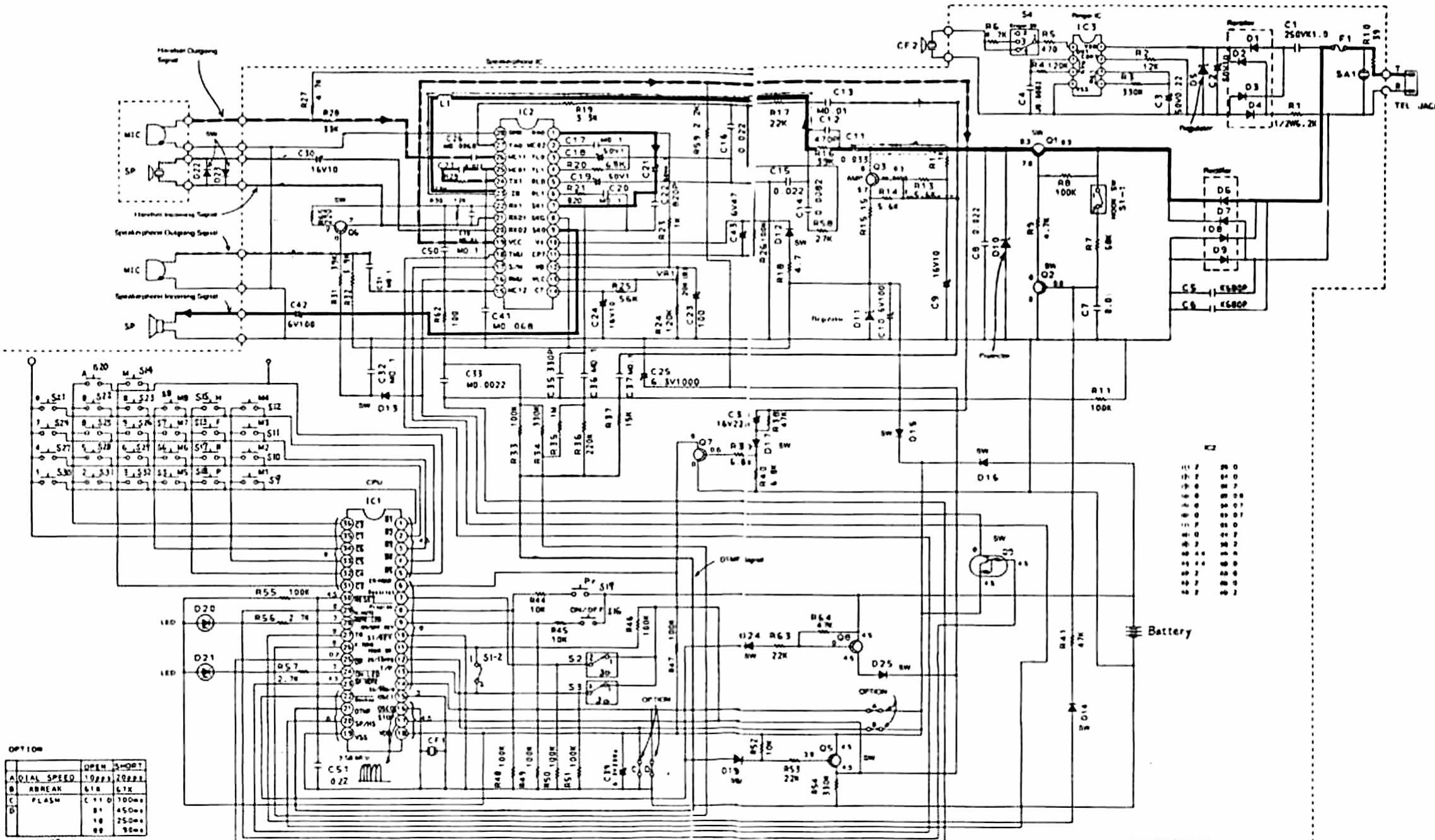


SCHEMATIC DIAG RAM

1 2 3 4 5 6 7 8 9 10 11 12



OPTION

	OPEN	SHORT
A	1000	2000
B	618	67X
C	110	700
D	81	450
	18	250
	88	98

1 SHORT, 0 OPEN

K2

11	7
12	7
13	6
14	6
15	6
16	6
17	6
18	6
19	6
20	6
21	6
22	6
23	6
24	6
25	6
26	6
27	6
28	6
29	6
30	6