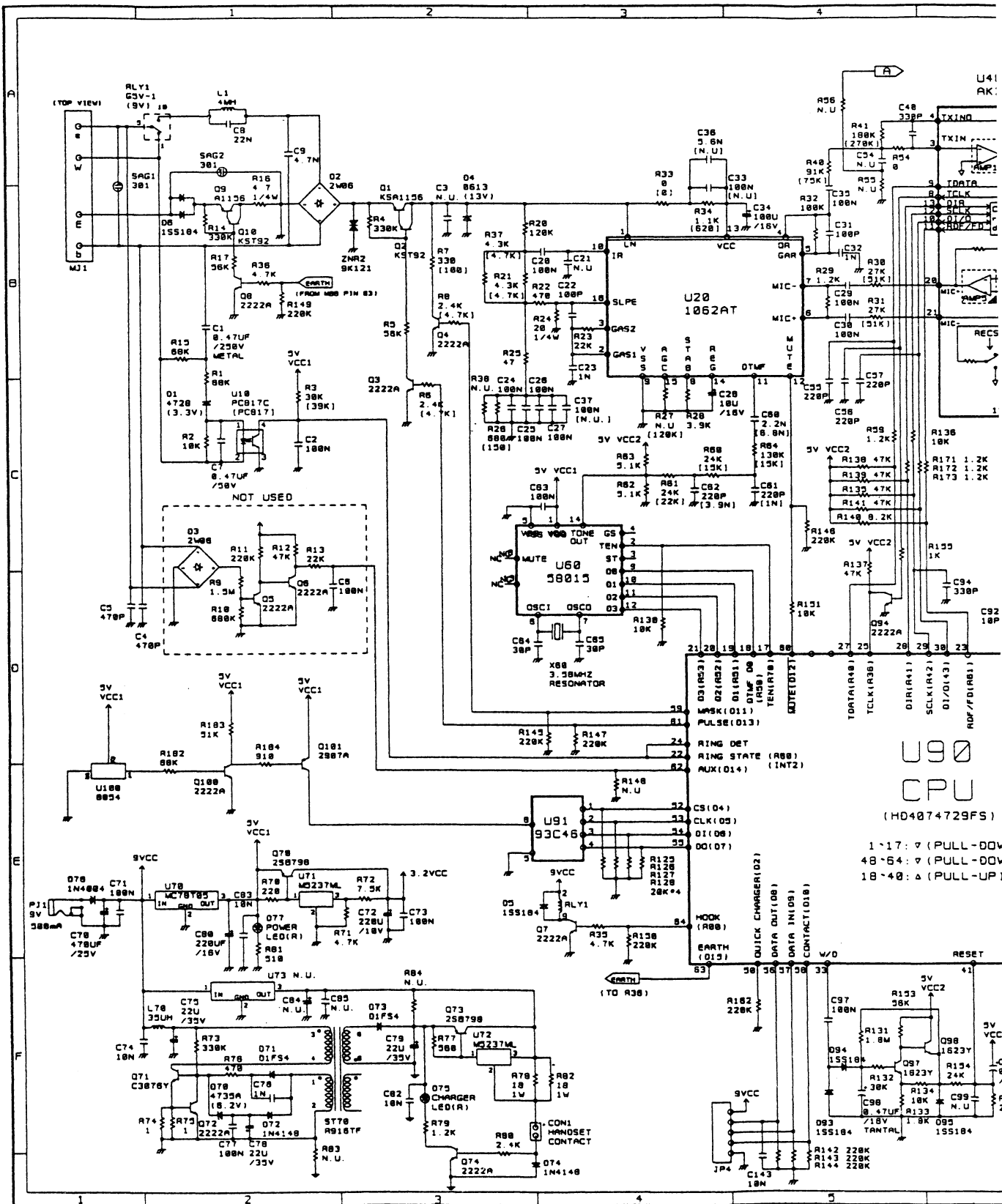
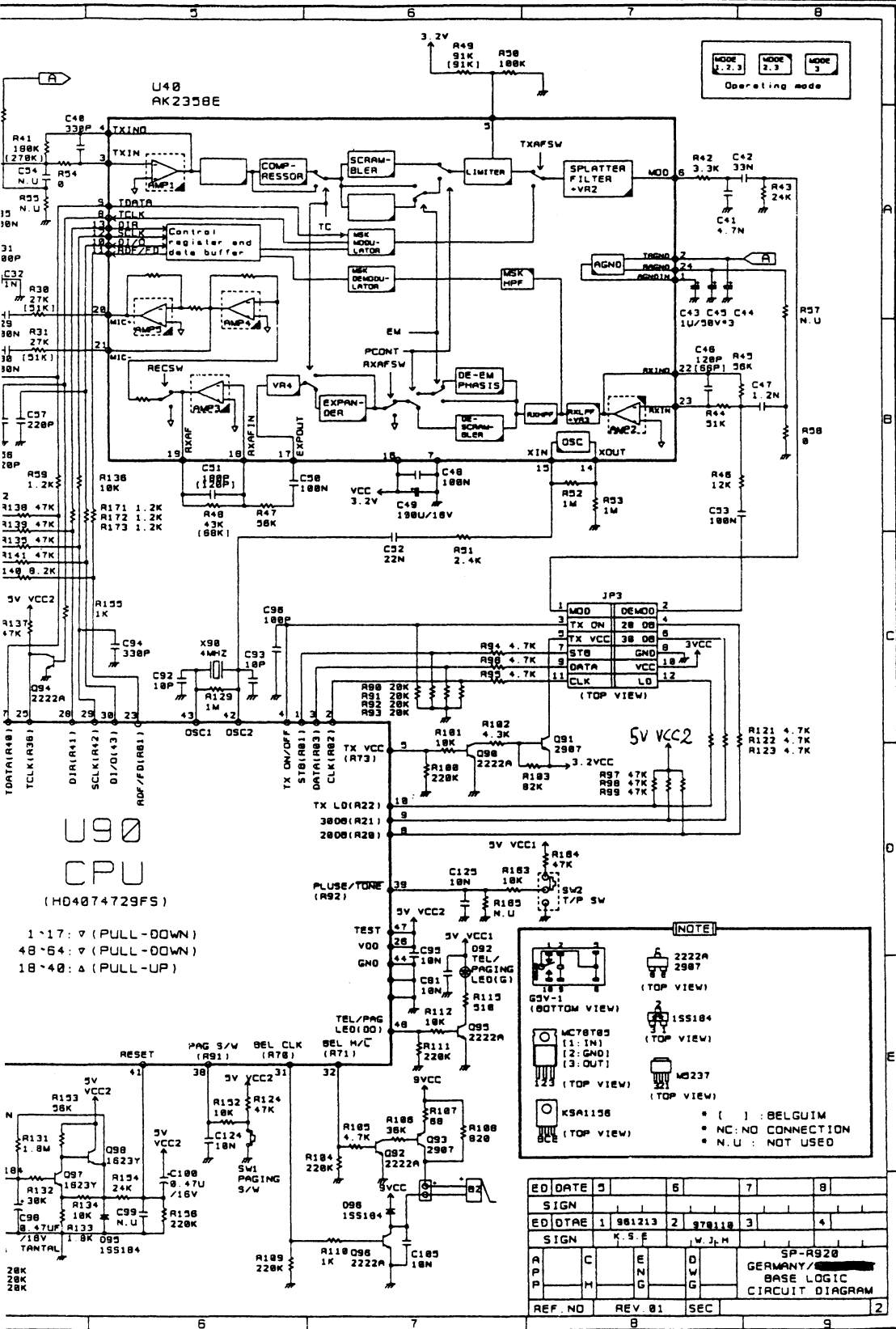


Schematic diagrams

Base logic circuit diagram





MODE 1, 2, 3 MODE 2, 3 MODE 3
 Operating mode

U40 AK2358E

U90
 CPU
 (HD4074729FS)

1~17: ▽ (PULL-DOWN)
 48~64: ▽ (PULL-DOWN)
 18~40: △ (PULL-UP)

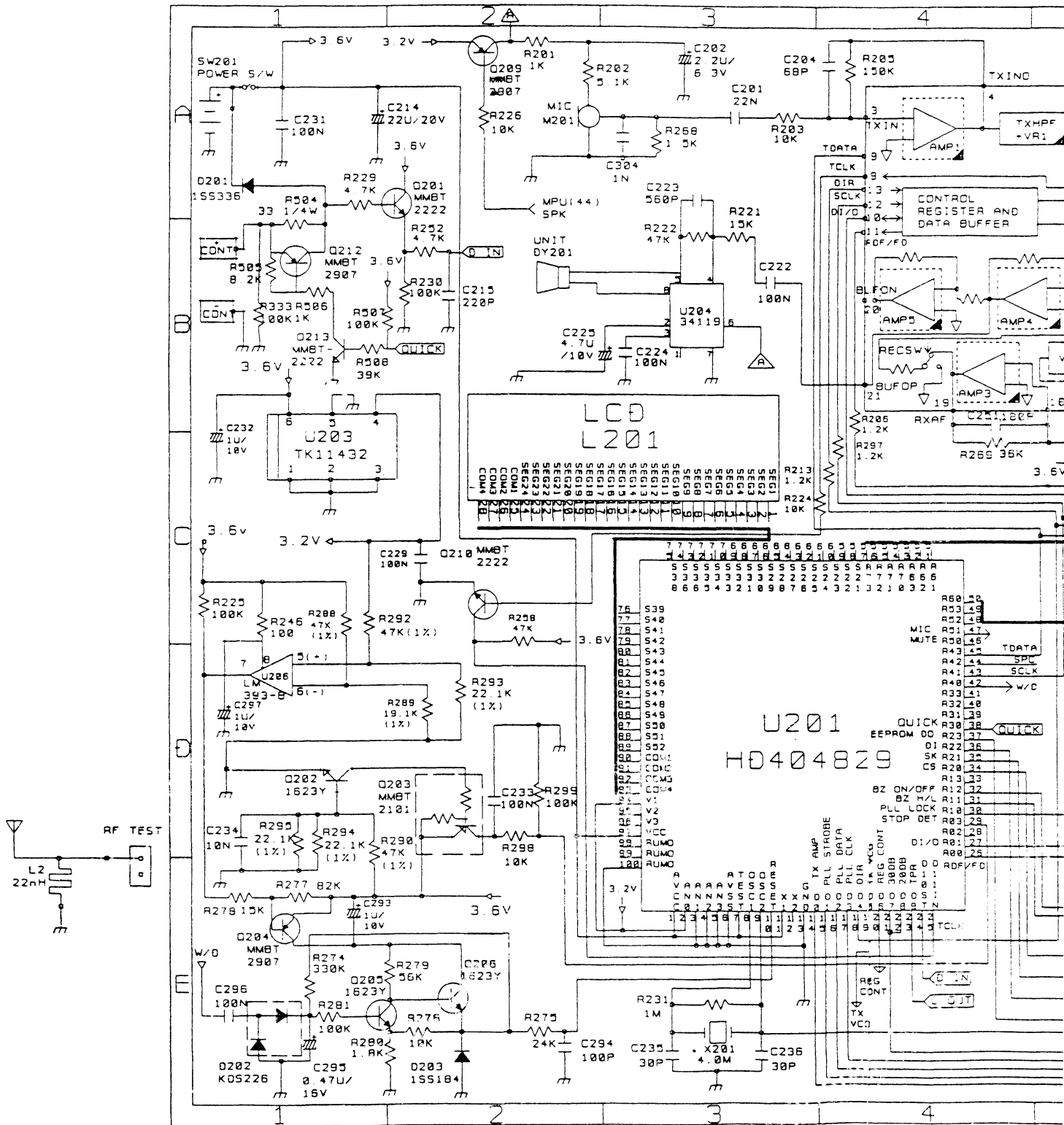
NOTE

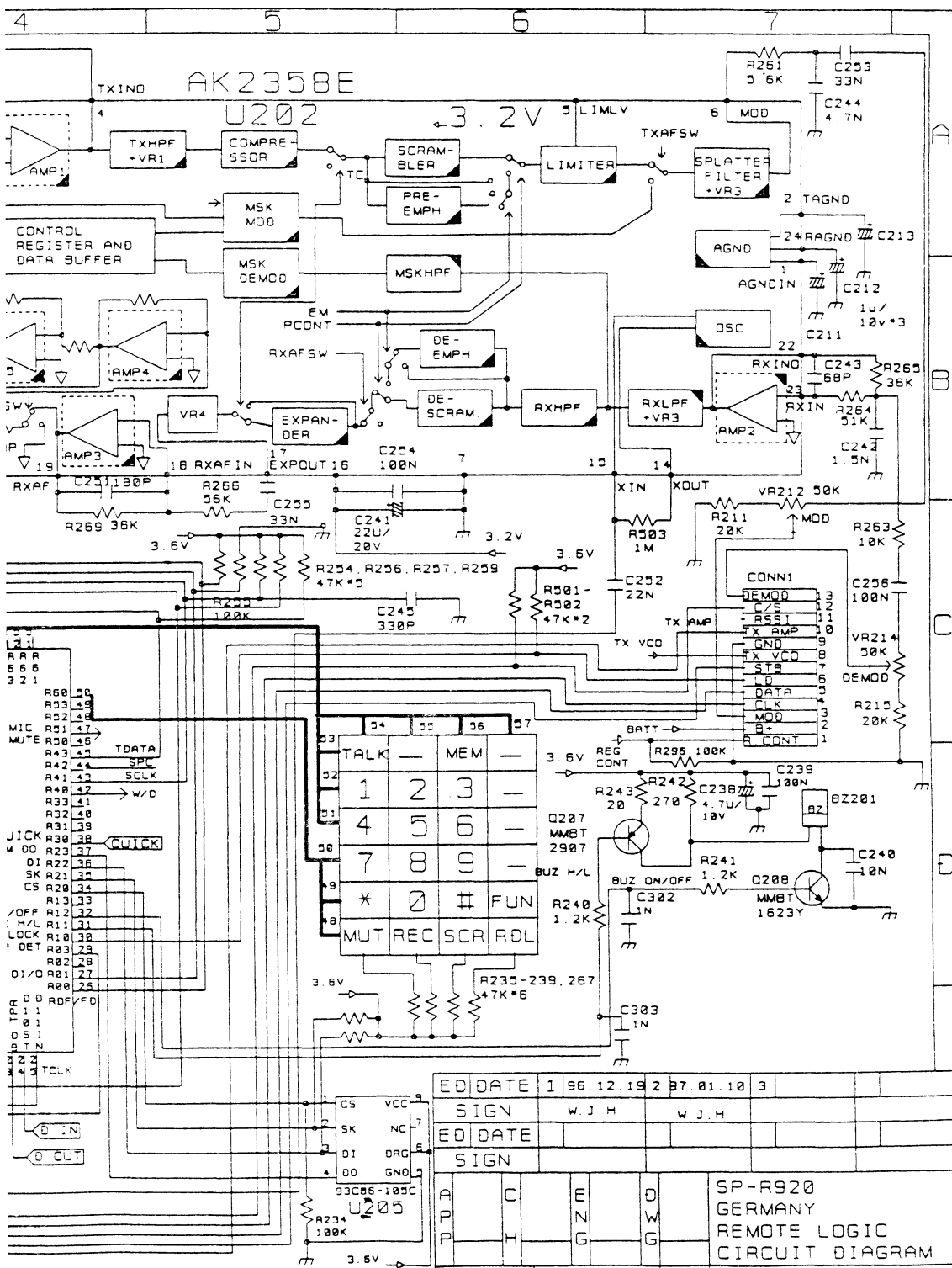
2222A 2987 (TOP VIEW)
 155104 (TOP VIEW)
 MC7805 (1: IN) (2: GND) (3: OUT) (TOP VIEW)
 K5A1156 (TOP VIEW)

[] : BELGIUM
 * NC: NO CONNECTION
 * N.U.: NOT USED

ED DATE	5	6	7	8
SIGN				
ED DTRE	1 981213	2 970119	3	4
SIGN	K.S.F	W.J.H		
A P	C	E N G	D W G	SP-R920
	H	G	G	GERMANY/
				BASE LOGIC
				CIRCUIT DIAGRAM
REF. NO	REV. 01	SEC		2

Handset logic circuit diagram





ED DATE	1 96.12.19 2 97.01.10 3			
SIGN	W. J. H. W. J. H.			
ED DATE				
SIGN				
P	C	E	D	SP-R920
P	H	N	W	GERMANY
P		G	G	REMOTE LOGIC
				CIRCUIT DIAGRAM
REF. NO		SEC		